

Support. construction frame "Variable" 3.30m 187.8 580516000

Abstützbock Variabel 3,30m

consisting of:

(A) **Waling WU14 for supporting construction frame** 99.0 580510000

Painted blue

Height: 252 cm

(B) **Multi-purpose waling WS10 Top50 2.00m** 38.9 580007000

Painted blue

(C) **Tension plate** 2.5 580534000

Painted blue

Length: 19 cm

(D) **Supporting shoe** 9.5 580532000

Painted blue

Length: 28 cm

(E) **Connecting pin 10cm** 0.34 580201000

Galvanised

Length: 14 cm

(F) **Spring cotter 5mm** 0.05 580204000

Galvanised

Length: 13 cm

(G) **Spindle strut 12 3.00m** 32.0 580521000

Painted blue

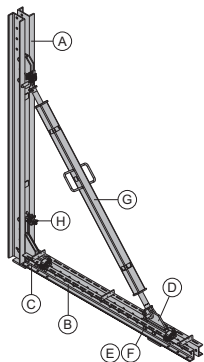
Length: 201 - 234 cm

(H) **Screw-on coupler 48mm 50** 0.84 682002000

Galvanised

Width-across: 22 mm

Painted blue



Tension plate

Zuglasche

2.5 580534000



Painted blue

Length: 19 cm

Multi-purpose waling WS10 Top50 1.00m 19.6 580003000

Multi-purpose waling WS10 Top50 1.75m 35.0 580006000

Multi-purpose waling WS10 Top50 2.00m 38.9 580007000

Multi-purpose waling WS10 Top50 2.50m 48.7 580009000

Multi-purpose waling WS10 Top50 2.75m 54.2 580010000

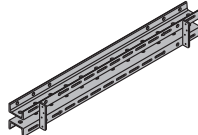
Multi-purpose waling WS10 Top50 3.00m 60.2 580011000

Multi-purpose waling WS10 Top50 3.50m 68.4 580012000

Multi-purpose waling WS10 Top50 4.00m 79.4 580013000

Mehrzweckriegel WS10 Top50

Painted blue



Spindle strut 12 3.00m

Spindelstrebe 12 3,00m

32.0 580521000

Painted blue

Length: 201 - 234 cm

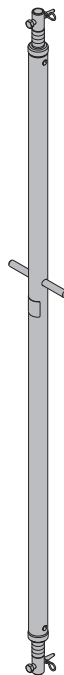


Spindle strut T7 305/355cm

Spindelstrebe T7 305/355cm

35.0 584327000

Galvanised



Waling WU14 for supporting construction frame 99.0 580510000

Abstützbockriegel WU14

consisting of:

(A) **Steel section WU14 f. supp. constr. frame** 81.0 580509000

Painted blue

Height: 250 cm

(B) **Pressure shoe** 6.2 580531000

Painted blue

Height: 32 cm

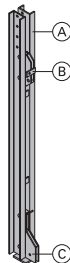
(C) **Anchoring shoe** 12.0 580533000

Painted blue

Height: 51 cm

Painted blue

Height: 252 cm

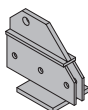


Supporting shoe 9.5 580532000

Stütزشuh

Painted blue

Length: 28 cm



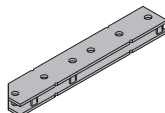
Formwork element connector FF20/50 Z

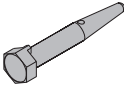
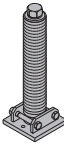

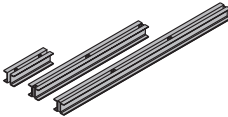
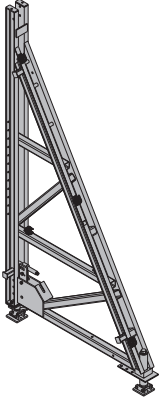
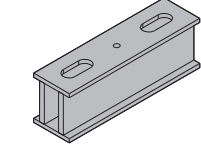
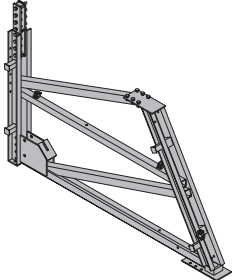
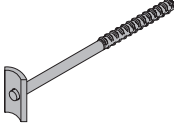
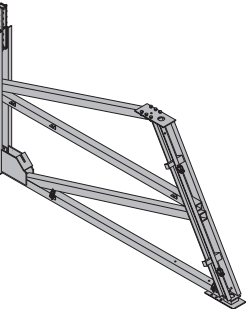
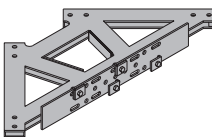
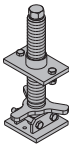
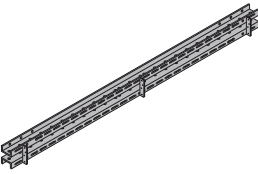
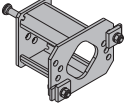
Elementverbinder FF20/50 Z

6.0 587533000

Painted blue

Length: 55 cm



Connecting pin 10cm Verbindungsbolzen 10cm	Galvanised Length: 14 cm	0.34 580201000	Rear spindle for supp. construction frame Abstützbockspindel hinten	Galvanised	18.3 580515000
					
Spring cotter 5mm Federvorstecker 5mm	Galvanised Length: 13 cm	0.05 580204000	Anchor waling 0.70m Anchor waling 1.95m Anchor waling 2.95m Ankerriegel	Painted blue	27.0 580517000 76.3 580545000 110.0 580546000
					
Supporting construct. frame Universal F 4.50m Abstützbock-Universal F 4,50m	Painted blue Length: 196 cm Height: 365 - 394 cm	306.0 580500000	Multi-purpose waling WU12 Top50 2.00m Multi-purpose waling WU12 Top50 3.00m Mehrzweckriegel WU12 Top50	Painted blue	50.0 580022000 75.7 580024000
					
Attachable frame F 1.50m Anbaurahmen F 1,50m	Painted blue Length: 280 cm	236.0 580502000	Anchor waling positioner Ankerriegelhalter	Galvanised Length: 31 cm	0.62 580539000
					
Attachable frame F 2.00m Anbaurahmen F 2,00m	Painted blue Length: 394 cm	451.0 580501000	Corner plate supporting constr. frame Ecklasche Abstützbock	Painted blue Length: 92 cm Width: 92 cm	44.4 580518000
					
Front spindle for supp. construction frame Abstützbockspindel vorne	Galvanised	8.5 580508000	Facade waling WS10 2.50m Fassadenriegel WS10 2,50m	Painted blue	50.0 580692000
					
			Supporting construction distancer 20cm Bockdistanz 20cm	Galvanised Length: 25 cm Width: 19 cm Height: 20 cm	9.4 580519000
					

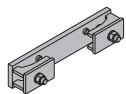
[kg] Article n°

[kg] Article n°

Clamp for supp. constr. distancer 20cm

Klemme für Bockdistanz 20cm

5.0 582920000

Galvanised
Length: 36 cm
Width: 7 cm**Attachable roller 200**

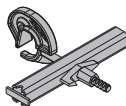
Ansteckrolle 200

19.3 580538000

Painted blue
Height: 38 cm**Waling-to-bracket holder 9-15cm**

Riegelhalter 9-15cm

2.7 580625000

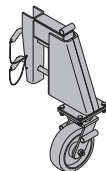


Galvanised

Attachable roller 250

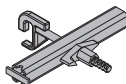
Ansteckrolle 250

47.0 580537000

Painted blue
Height: 78 cm**Waling-to-bracket holder**

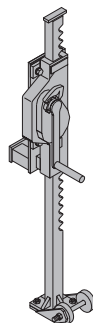
Keilriegelhalter

2.5 580526000

Galvanised
Length: 26 cm
Height: 31 cm**Winch with transport device**

Hubwinde mit Transportroller

37.0 580541000

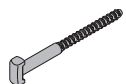
Painted blue
Height: 127 cm
Follow the directions in the "Operating Instructions"!

CE

Framax universal fixing bolt 10-16cm

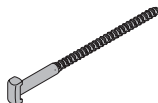
Framax-Universalverbinder 10-16cm

0.60 588158000

Galvanised
Length: 26 cm**Framax universal fixing bolt 10-25cm**

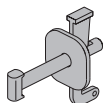
Framax-Universalverbinder 10-25cm

0.69 583002000

Galvanised
Length: 36 cm**Framax wedge clamp**

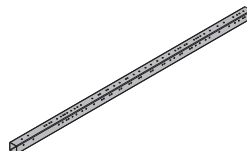
Framax-Spannklemme

1.5 588152000

Galvanised
Length: 21 cm**Travelling profile F 2.00m front**

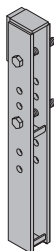
Verfahrprofil F 2,00m vorne

180.0 582925000

Galvanised
Length: 600 cm**Framax supporting construct. frame connector**

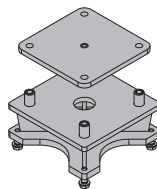
Framax-Bocklasche

15.0 580506000

Painted blue
Height: 77 cm**Wheel connector F 2.00m front**

Radanschluss F 2,00m vorne

33.7 582926000

Galvanised
Length: 30 cm
Width: 30 cm
Height: 16.5 cm**Framax supporting construct. frame bolt 36cm**

Framax-Bockschraube 36cm

0.62 580505000



Galvanised

Clamping jaw F 2.00m

Klemmbacke F 2,00m

0.82 582927000

Galvanised
Length: 12.5 cm**Framax pressure plate 6/15**

Framax-Druckplatte 6/15

0.80 588183000

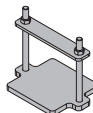


Galvanised

Intermediate plate F 2.00m

Zwischenplatte F 2,00m

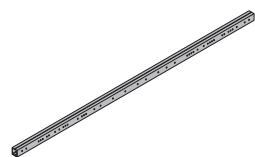
6.0 582929000

Galvanised
Length: 25 cm
Width: 18 cm

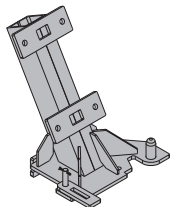
[kg] Article n°

Travelling profile F 2.00m rear

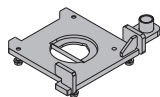
Verfahrprofil F 2,00m hinten

187.5 582930000Galvanised
Length: 574 cm**Wheel connector F 2.00m rear**

Radanschluss F 2,00m hinten

44.5 582931000Galvanised
Height: 61.5 cm**Connection plate F 2.00m**

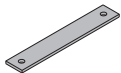
Anschlussplatte F 2,00m

15.8 582932000Galvanised
Length: 44.1 cm
Width: 35.7 cm**Bolting plate F 2.00m**

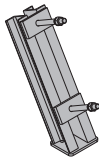
Schraubplatte F 2,00m

2.9 582933000Galvanised
Length: 20 cm**Connection plate F 2.00m**

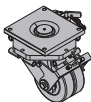
Verbindungsplatte F 2,00m

2.3 582934000Galvanised
Length: 42 cm**Lifting bracket F 2.00m rear**

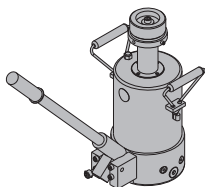
Hubkonsole F 2,00m hinten

14.0 582935000Galvanised
Height: 48.6 cm**Heavy duty wheel 90kN**

Schwerlastrad 90kN

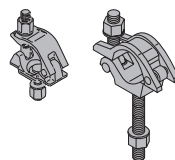
85.0 582921000Galvanised
Height: 38 cm**Lowering cylinder SL-1 250kN**

Absenkyzylinder SL-1 250kN

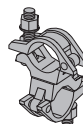
27.2 582870000Painted blue
Height: 28-56 cm
Follow the directions in the "Operating Instructions"!**Screw-on coupler 48mm 50**

Screw-on coupler 48mm 95

Anschraubkupplung

0.84 682002000**0.88 586013000**Galvanised
Width-across: 22 mm**Swivel coupler 48mm**

Drehkupplung 48mm

1.5 582560000Galvanised
Width-across: 22 mm**Scaffold tube 48.3mm 0.50m**

Scaffold tube 48.3mm 1.00m

Scaffold tube 48.3mm 1.50m

Scaffold tube 48.3mm 2.00m

Scaffold tube 48.3mm 2.50m

Scaffold tube 48.3mm 3.00m

Scaffold tube 48.3mm 3.50m

Scaffold tube 48.3mm 4.00m

Scaffold tube 48.3mm 4.50m

Scaffold tube 48.3mm 5.00m

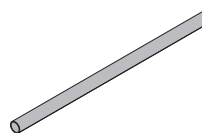
Scaffold tube 48.3mm 6.00m

Scaffold tube 48.3mmm

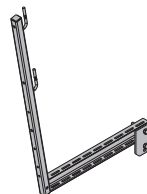
Gerüstrohr 48,3mm

1.7 682026000**3.6 682014000****5.4 682015000****7.2 682016000****9.0 682017000****10.8 682018000****12.6 682019000****14.4 682021000****16.2 682022000****18.0 682023000****19.8 682024000****21.6 682025000****3.6 682001000**

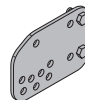
Galvanised

**Screw-on access bracket MF75**

Anschraubbühne MF75

19.0 580669000Galvanised
Length: 113 cm
Height: 152 cm**Swivel plate MF**

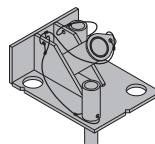
Schwenkplatte MF

4.5 580672000Galvanised
Length: 29 cm
Height: 20 cm**Crane sling 3.50m**

Kranseilschleufe 3,50m

8.8 580461000Diameter: 16 cm
Follow the directions in the "Operating Instructions"!**Testing truss for diagonal anchors 15.0/20.0**

Prüfbock für Schräganker 15,0/20,0

13.5 580514000Galvanised
Length: 32 cm
Width: 25 cm
Height: 19 cm

Universal tool box 15.0

Universal-Werkzeugbox 15,0

included in scope of supply:

(A) Reversible ratchet 1/2"

Galvanised

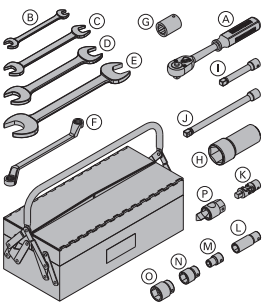
Length: 30 cm

(B) Fork wrench 13/17**(C) Fork wrench 22/24****(D) Fork wrench 30/32****(E) Fork wrench 36/41****(F) Ring spanner 17/19****(G) Square nut 22****(H) Box spanner 41****(I) Extension 11cm 1/2"****(J) Extension 22cm 1/2"****(K) Universal joint coupling****(L) Box nut 19 1/2" L****(M) Box nut 13 1/2"****(N) Box nut 24 1/2"****(O) Box nut 30 1/2"****(P) Positioning cone spanner 15.0 DK**

Galvanised

Length: 8 cm

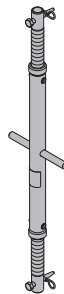
Width-across: 30 mm

**9.1 580392000****Spindle strut T6 100/150cm**

Spindelstrebe T6 100/150cm

12.5 584323000

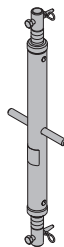
Galvanised

**0.73 580580000****0.08 580577000****0.22 580587000****0.80 580897000****1.0 580586000****0.27 580590000****0.31 580589000****0.99 580585000****0.20 580581000****0.31 580582000****0.16 580583000****0.16 580598000****0.06 580576000****0.12 580584000****0.20 580575000****0.30 580579000****Spindle strut T7 100/150cm**

Spindelstrebe T7 100/150cm

16.8 584309000

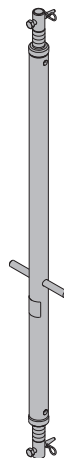
Galvanised

**Spindle strut T7 200/250cm**

Spindelstrebe T7 200/250cm

26.2 584325000

Galvanised

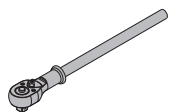
**Reversible ratchet 3/4"**

Umschaltknarre 3/4"

1.5 580894000

Galvanised

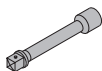
Length: 50 cm

**Hexagon spanner head 46 3/4"**

Sechskantnuss 46 3/4"

0.70 580512000**Extension 20cm 3/4"**

Verlängerung 20cm 3/4"

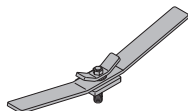
0.68 580683000**Cone spanner 20.0**

Konusschlüssel 20,0

3.5 581471000

Galvanised

Length: 57 cm

**Clearance-cone dismantling tool**

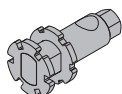
Lösewerkzeug Freistellkonus

0.67 581864000

Galvanised

Length: 10.7 cm

Width-across: 24 mm



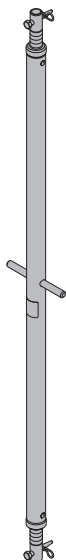
[kg] Article n°

[kg] Article n°

Spindle strut T7 250/300cm

Spindelstrebe T7 250/300cm

Galvanised

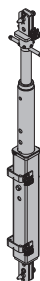


29.4 584326000

Spindle strut SL-1 T16 140/225cm

Spindelstrebe SL-1 T16 140/225cm

Galvanised

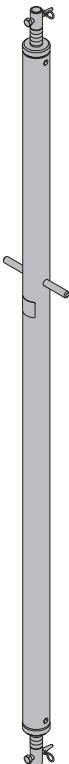


87.8 582872000

Spindle strut T10 350/400cm

Spindelstrebe T10 350/400cm

Galvanised



57.5 584328000

Spindle strut SL-1 T16 220/375cm

Spindelstrebe SL-1 T16 220/375cm

Galvanised



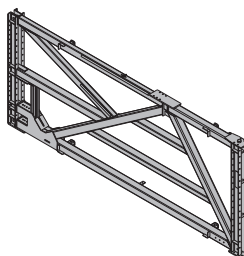
123.0 582874000

Attachable frame F 2.40m

Anbaurahmen F 2,40m

Painted blue

Length: 576 cm



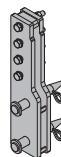
1107.0 582901000

Stacking plate F 2.40m

Aufstocklasche F 2,40m

Painted blue

Height: 63.5 cm

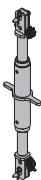


32.5 582902000

Spindle strut SL-1 T16 100/140cm

Spindelstrebe SL-1 T16 100/140cm

Galvanised



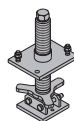
54.1 582871000

Spindle for attachable frame F 2.40m

Spindel für Anbaurahmen F 2,40m

Galvanised

Height: 47.5 cm



20.1 582903000

Lowering wedge 1000kN

Absenkeil 1000kN

Painted blue

Height: 18.2 - 27.2 cm



53.5 582905000

[kg] Article n°

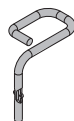
[kg] Article n°

Ring spanner 80

Ringschlüssel 80

3.8 582906000**Toeboard holder T 1.80m**

Fußwehrhalter T 1,80m

0.53 584392000Galvanised
Length: 62.4 cmGalvanised
Height: 13.5 cm**Bracing profile 2.95m**

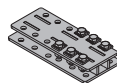
Verschwertungsprofil 2,95m

42.5 582907000**Intermediate flange for supp. constr. frame**

Zwischenflansch für Abstützbock

16.2 582911000

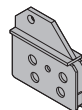
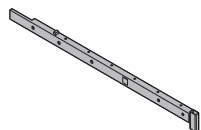
Painted blue

Painted blue
Length: 42.7 cm**Platform profile 1.00m f. supp. constr. frame**

Bühnenprofil 1,00m für Abstützbock

10.7 582908000**Supporting shoe WU16**

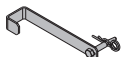
Stützsuh WU16

8.3 582912000Galvanised
Length: 147.5 cmPainted blue
Length: 26.5 cm**Extension safety clamp for platform profile**

Auszugsicherung für Bühnenprofil

1.7 582909000**Pressure shoe T7/T16**

Druckschuh T7/T16

18.5 582913000Galvanised
Length: 38.4 cmPainted blue
Height: 72.5 cm**Handrail post 1.00m**

Geländer 1,00m

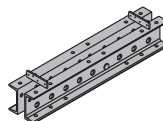
3.8 584335000Galvanised
Length: 124 cm**Multi-purpose waling SL-1 WU16 1.00m**

Multi-purpose waling SL-1 WU16 3.00m

35.0 582877000**107.0 582888000**

Mehrzweckriegel SL-1

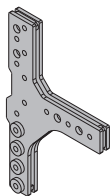
Painted blue

**T plate for supporting construction frame**

T-Lasche für Abstützbock

29.8 582910000Painted blue
Length: 74.6 cm**Waling connector SL-1 WU16 0.75m**

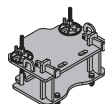
Riegelverbinder SL-1 WU16 0,75m

31.0 582886000Galvanised
Length: 75 cm**Connecting pin SL-1 D32 100**

Verbindungsbolzen SL-1 D32 100

1.0 582885000**Wheel connector F 2.40m**

Radanschluss F 2,40m

45.0 582922000Galvanised
Length: 17 cmGalvanised
Length: 49 cm
Width: 36 cm
Height: 25 cm**Handrail post T 1.80m**

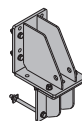
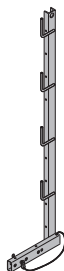
Einschubgeländer T 1,80m

17.7 584373000

Galvanised

Travelling profile bracket F 2.40m

Verfahrprofil-Konsole F 2,40m

31.0 582924000Galvanised
Length: 28.5 cm
Width: 22 cm
Height: 48.2 cm

Doka Safety Systems



You will find working and protection platforms, guardrail systems and access systems in the section headed "Doka Safety Systems".