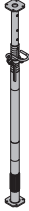


	[kg]	Article n°
Doka floor prop Eurex 20 top 150 Length: 92 - 150 cm	8.0	586096000
Doka floor prop Eurex 20 top 250 Length: 148 - 250 cm	12.7	586086400
Doka floor prop Eurex 20 top 300 Length: 173 - 300 cm	14.3	586087400
Doka floor prop Eurex 20 top 350 Length: 198 - 350 cm	17.4	586088400
Doka floor prop Eurex 20 top 400 Length: 223 - 400 cm	21.6	586089400
Doka floor prop Eurex 20 top 550 Length: 298 - 550 cm	32.3	586090400

Doka-Deckenstütze Eurex 20 top

Galvanised



Doka floor prop Eurex 20 eco 250 Length: 148 - 250 cm	11.5	586270000
Doka floor prop Eurex 20 eco 300 Length: 173 - 300 cm	14.0	586271000
Doka floor prop Eurex 20 eco 350 Length: 198 - 350 cm	16.9	586272000
Doka floor prop Eurex 20 eco 400 Length: 223 - 400 cm	20.5	586273000
Doka floor prop Eurex 20 eco 450 Length: 248 - 450 cm	24.1	586275000

Doka-Deckenstütze Eurex 20 eco

Galvanised



Doka floor prop Eurex 30 top 250 Length: 148 - 250 cm	12.8	586092400
Doka floor prop Eurex 30 top 300 Length: 173 - 300 cm	16.4	586093400
Doka floor prop Eurex 30 top 350 Length: 198 - 350 cm	20.7	586094400
Doka floor prop Eurex 30 top 400 Length: 223 - 400 cm	24.6	586095400
Doka floor prop Eurex 30 top 450 Length: 248 - 450 cm	29.1	586119400
Doka floor prop Eurex 30 top 550 Length: 303 - 550 cm	38.6	586129000

Doka-Deckenstütze Eurex 30 top

Galvanised



	[kg]	Article n°
Doka floor prop Eco 20 250 Length: 152 - 250 cm	11.7	586134000
Doka floor prop Eco 20 300 Length: 172 - 300 cm	13.0	586135000
Doka floor prop Eco 20 350 Length: 197 - 350 cm	15.3	586136000
Doka floor prop Eco 20 400 Length: 227 - 400 cm	19.1	586137000

Doka-Deckenstütze Eco 20

Galvanised



Removable folding tripod top Stützbein top	12.0	586155500
--	------	------------------

Galvanised
Height: 80 cm
Delivery condition: folded closed



Removable folding tripod 1.20m Stützbein 1,20m	20.7	586145000
--	------	------------------

Galvanised
Height: 120 cm
Delivery condition: folded closed



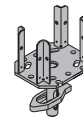
Removable folding tripod eco Stützbein eco	9.4	586294000
--	-----	------------------

Galvanised
Height: 67.5 cm
Delivery condition: folded closed



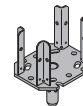
Lowering head H20 Absenkkopf H20	6.1	586174000
--	-----	------------------

Galvanised
Length: 25 cm
Width: 20 cm
Height: 38 cm



4-way head H20 Vierwegkopf H20	4.0	586170000
--	-----	------------------

Galvanised
Length: 25 cm
Width: 20 cm
Height: 33 cm



Spring locked connecting pin 16mm Federbolzen 16mm	0.25	582528000
--	------	------------------



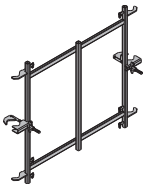
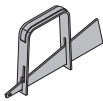

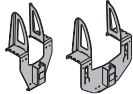



Galvanised
Length: 15 cm

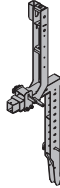


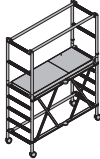
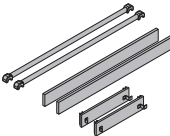

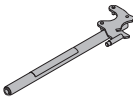



Supporting head H20 DF Haltekopf H20 DF	0.77	586179000
---	------	------------------

Galvanised
Length: 19 cm
Width: 11 cm
Height: 8 cm

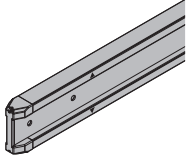


	[kg]	Article n°
U-head 12.5cm Kopfgabel 12,5cm	1.2	586171000
 Galvanised Height: 23 cm		
Doka Xtra head Doka Xtra-Kopf	9.7	586108000
 Galvanised Height: 69 cm		
Bracing frame Eurex 1.22m Bracing frame Eurex 1.00m Bracing frame Eurex 0.81m Aufstellrahmen	16.0 15.0 14.5	586557000 586599000 586558000
 Galvanised Height: 111 cm		
Bracing clamp B Verschwertungsklammer B	1.4	586195000
 Painted blue Length: 36 cm		
Lashing strap 5.00m Zurrgurt 5,00m	2.8	586018000
 Yellow		
Secondary-beam stabiliser 1 Secondary-beam stabiliser 2 Querträgersicherung	1.6 2.1	586196000 586197000
 Galvanised Height: 38.7 cm		
Universal end-shutter support 30cm Universal-Abschalwinkel 30cm	1.0	586232000
 Galvanised Height: 21 cm		
Beam forming support 20 Balkenzwinde 20	6.9	586148000
 Galvanised Length: 30 cm Height: 35 cm		
Extension for beam forming support 60cm Balkenaufsatz 60cm	4.4	586149000
 Galvanised		

	[kg]	Article n°
Doka floor end-shutter clamp Doka-Deckenabschalcklemme	12.5	586239000
 Galvanised Height: 137 cm		
End-shutter shoe Abschalshuh	1.6	586257000
 Galvanised Height: 13.5 cm		
End-shutter tie rod 15.0 15-40cm Abschalanker 15,0 15-40cm	0.91	586258000
 Galvanised Length: 55 cm		
Wheel-around scaffold DF Mobilgerüst DF	44.0	586157000
 Aluminium Length: 185 cm Width: 80 cm Height: 255 cm Delivery condition: folded closed		
Wheel-around scaffold DF accessory set Zubehörset Mobilgerüst DF	13.3	586164000
 Aluminium Timber parts varnished yellow Length: 189 cm		
Platform stairway 0.97m Podesttreppe 0,97m	23.5	586555000
 Aluminium Width: 121 cm Pay attention to the national, technical safety regulations!		
Universal dismantling tool Universal-Lösewerkzeug	3.7	582768000
 Galvanised Length: 75.5 cm		
Alu beam fork H20 Alu-Träbergabel H20	2.4	586182000
 Aluminium Powder-coated yellow Length: 176 cm		

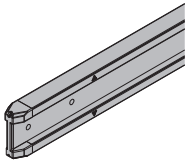
	[kg]	Article n°
Doka beam H20 top N 1.80m	9.5	189011000
Doka beam H20 top N 2.45m	12.8	189012000
Doka beam H20 top N 2.65m	13.8	189013000
Doka beam H20 top N 2.90m	15.0	189014000
Doka beam H20 top N 3.30m	17.0	189015000
Doka beam H20 top N 3.60m	18.5	189016000
Doka beam H20 top N 3.90m	20.0	189017000
Doka beam H20 top N 4.50m	23.0	189018000
Doka beam H20 top N 4.90m	25.0	189019000

Varnished yellow



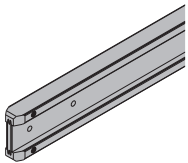
Doka beam H20 top P 1.80m	9.9	189701000
Doka beam H20 top P 2.45m	13.2	189702000
Doka beam H20 top P 2.65m	14.3	189703000
Doka beam H20 top P 2.90m	15.6	189704000
Doka beam H20 top P 3.30m	17.7	189705000
Doka beam H20 top P 3.60m	19.2	189706000
Doka beam H20 top P 3.90m	20.8	189707000
Doka beam H20 top P 4.50m	23.9	189708000
Doka beam H20 top P 4.90m	26.0	189709000

Varnished yellow



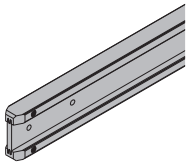
Doka beam H20 eco N 1.80m	9.0	189283000
Doka beam H20 eco N 2.45m	12.3	189271000
Doka beam H20 eco N 2.65m	13.3	189272000
Doka beam H20 eco N 2.90m	14.5	189273000
Doka beam H20 eco N 3.30m	16.5	189284000
Doka beam H20 eco N 3.60m	18.0	189285000
Doka beam H20 eco N 3.90m	19.5	189276000
Doka beam H20 eco N 4.50m	22.5	189286000
Doka beam H20 eco N 4.90m	24.5	189277000

Varnished yellow



Doka beam H20 eco P 1.80m	9.4	189940000
Doka beam H20 eco P 2.45m	12.7	189936000
Doka beam H20 eco P 2.65m	13.8	189937000
Doka beam H20 eco P 2.90m	15.1	189930000
Doka beam H20 eco P 3.30m	17.2	189941000
Doka beam H20 eco P 3.60m	18.7	189942000
Doka beam H20 eco P 3.90m	20.3	189931000
Doka beam H20 eco P 4.50m	23.4	189943000
Doka beam H20 eco P 4.90m	25.5	189932000

Varnished yellow



Doka formwork sheet 3-SO 21mm 200/50cm	9.7	186009000
Doka formwork sheet 3-SO 21mm 250/50cm	12.1	186011000

Doka formwork sheet 3-SO 27mm 200/50cm	13.0	187009000
Doka formwork sheet 3-SO 27mm 250/50cm	16.3	187011000

Handrail clamp S	11.5	580470000
-------------------------	------	------------------

Schutzgelandärerzwinde S

Galvanised
Height: 123 - 171 cm



Handrail post 1.10m	5.5	584384000
----------------------------	-----	------------------

Schutzgelandär 1,10m

Galvanised
Height: 134 cm



Attachable sleeve 24mm	0.03	584385000
-------------------------------	------	------------------

Steckhülse 24mm

Grey
Length: 16.5 cm
Diameter: 2.7 cm



Screw sleeve 20.0	0.03	584386000
--------------------------	------	------------------

Schraubhülse 20,0

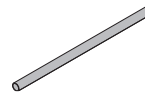
Yellow
Length: 20 cm
Diameter: 3.1 cm



Scaffold tube 48.3mm 0.50m	1.7	682026000
Scaffold tube 48.3mm 1.00m	3.6	682014000
Scaffold tube 48.3mm 1.50m	5.4	682015000
Scaffold tube 48.3mm 2.00m	7.2	682016000
Scaffold tube 48.3mm 2.50m	9.0	682017000
Scaffold tube 48.3mm 3.00m	10.8	682018000
Scaffold tube 48.3mm 3.50m	12.6	682019000
Scaffold tube 48.3mm 4.00m	14.4	682021000
Scaffold tube 48.3mm 4.50m	16.2	682022000
Scaffold tube 48.3mm 5.00m	18.0	682023000
Scaffold tube 48.3mm 5.50m	19.8	682024000
Scaffold tube 48.3mm 6.00m	21.6	682025000
Scaffold tube 48.3mmm	3.6	682001000

Gerüstrohr 48,3mm

Galvanised



Screw-on coupler 48mm 50	0.84	682002000
---------------------------------	------	------------------

Anschraubkupplung 48mm 50

Galvanised
Width-across: 22 mm
Follow fitting instructions!



Doka personal fall-arrest set	3.6	583022000
--------------------------------------	-----	------------------

Doka-Auffanggurt

Follow the directions in the "Operating Instructions"!



CE