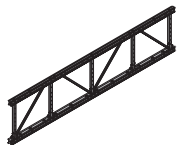


[kg] Article n°
Segment TT 12'-0" 2G 139.0 **586694000**
Segment TT 12'-0" 2G



Segment TT 24'-0" 2G 263.0 **586695000**
Segment TT 24'-0" 2G



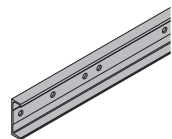
Segment TT 12'-0" 136.0 **586690000**
Segment TT 12'-0"



Segment TT 24'-0" 258.0 **586692000**
Segment TT 24'-0"

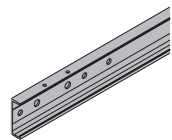


C6 Alu Channel top TT 12'-0" 14.0 **586650000**
C6 Alu-Profil oben TT 12'-0"



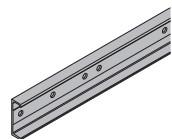
Aluminium

C6 Alu Channel bottom TT 12'-0" 14.0 **586651000**
C6 Alu-Profil unten TT 12'-0"



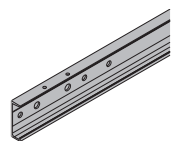
Aluminium

C6 Alu Channel top TT 24'-0" 27.5 **586652000**
C6 Alu-Profil oben TT 24'-0"



Aluminium

C6 Alu Channel bottom TT 24'-0" 27.5 **586653000**
C6 Alu-Profil unten TT 24'-0"



Aluminium

[kg] Article n°
Standard TT 2G 14.0 **586682000**
Stiel TT 2G



Painted yellow

Strut TT 2G 13.0 **586683000**
Strebe TT 2G



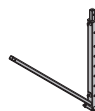
Painted yellow

Main leg TT 39.6 **586654000**
Hauptstiel TT



Painted yellow

End leg TT 24'-0" 26.7 **586655000**
Endstiel TT 24'-0"



Painted yellow

Central leg TT 13.6 **586656000**
Mittelstiel TT



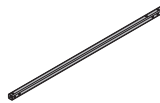
Painted yellow

End leg TT 12'-0" 13.6 **586657000**
Endstiel TT 12'-0"



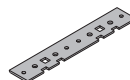
Painted yellow

Diagonal brace TT 6'-0" 12.2 **586658000**
Diagonalstrebe TT 6'-0"



Painted yellow

Splice plate C6 TT 9.3 **586659000**
Verbindungsplatte C6 TT



Galvanised

Splice plate C6/WS10 TT 6.5 **586660000**
Verbindungsplatte C6/WS10 TT



Painted blue

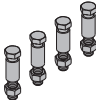
Diagonal cross adapter TT 0.81 **586661000**
Diagonalkreuzadapter TT

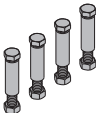


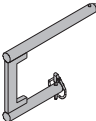
Galvanised


	[kg]	Article n°
Distance piece C6 TT Distanzhalter C6 TT	0.88	586662000
 Galvanised		

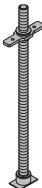
End protector C6 TT Endschutz C6 TT	2.9	586663000
 Galvanised		

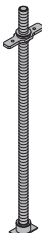
Screw-set splice plate C6 TT top Schraubensatz Verbindungslasche C6 TT oben	1.9	586664000
 Galvanised		

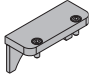
Screw-set splice plate C6 TT bottom Schraubensatz Verbindungslasche C6 TT unten	2.4	586665000
 Galvanised		

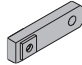
Fastening bolt TT Absteckbolzen TT	1.6	586666000
 Galvanised		


Adjustment leg TT Justierstiel TT	9.3	586667000
 Galvanised		


Screw jack foot TT 3'-2" Fußspindel TT 3'-2"	10.5	586668000
 Galvanised		

Screw jack foot TT 4'-2" Fußspindel TT 4'-2"	12.5	586669000
 Galvanised		


	[kg]	Article n°
Screw jack anti-dropout lock TT Fußspindelsicherung TT	0.22	586670000
 Galvanised		

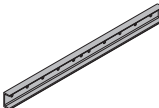
Lifting adapter TT Umsetzadapter TT	3.9	586671000
 Galvanised		

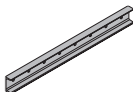
Shackle Xclimb 60 6.5t Schäkel Xclimb 60 6,5t	2.0	581376000
 Galvanised Follow the directions in the "Operating Instructions"!		CE

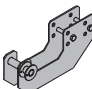
Diagonal cross TT 12'-0" Diagonalkreuz TT 12'-0"	12.1	586672000
 Galvanised		

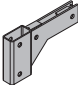
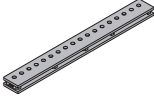


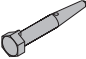

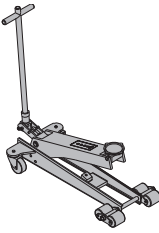
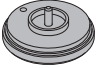
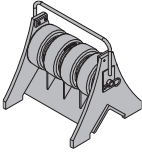
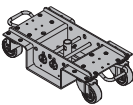
Diagonal cross 9.100	4.1	582772000
Diagonal cross 9.150	5.2	582773000
Diagonal cross 9.175	6.1	582334000
Diagonal cross 9.200	6.6	582774000
Diagonal cross 9.250	7.7	582775000
Diagonal cross 9.300	9.0	582323000
Diagonal cross 12.100	4.6	582610000
Diagonal cross 12.150	5.7	582612000
Diagonal cross 12.175	6.3	582335000
Diagonal cross 12.200	6.9	582614000
Diagonal cross 12.250	8.3	582616000
Diagonal cross 12.300	9.3	582325000
Diagonal cross 18.100	6.1	582620000
Diagonal cross 18.150	6.9	582622000
Diagonal cross 18.175	7.8	582336000
Diagonal cross 18.200	7.8	582624000
Diagonal cross 18.250	9.1	582626000
Diagonal cross 18.300	10.3	582326000



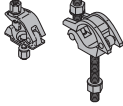


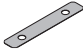
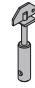
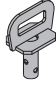
Diagonal cross 18.100 Diagonalkreuz		
 Galvanised Delivery condition: folded closed		


Strengthening profile TT 5'-0" Verstärkungsprofil TT 5'-0"	20.5	586673000
 Galvanised		


Strengthening profile TT 4'-0" Verstärkungsprofil TT 4'-0"	16.0	586674000
 Galvanised		

Tilting connector TT Klappverbinder TT	5.8	586675000
 Galvanised		

	[kg]	Article n°
Drop beam connector TT Unterzugsanschluss TT	6.8	586676000
 Galvanised		
Drop beam waling TT Unterzugsriegel TT	16.8	586677000
 Galvanised		
Beam screw H 8/70 Riegelverschraubung H 8/70	0.06	580117000
 Galvanised Length: 8 cm Width-across: 13 mm		
Flange clamp G Flanschklammer G	1.1	580120000
 Galvanised Width: 13 cm Width-across: 19 mm		
Connecting pin 10cm Verbindungsbolzen 10cm	0.34	580201000
 Galvanised Length: 14 cm		
Spring cotter 5mm Federvorstecker 5mm	0.05	580204000
 Galvanised Length: 13 cm		
Lowering device TT 5 1/8" - 2'-6" Absenkwagen TT 5 1/8" - 2'-6"	61.5	586678000
 red CE		
Lowering device adapter TT Adapter Absenkwagen TT	3.0	586679000
 Galvanised		
Edge roller TT Rollenbock TT	24.6	586680000
 Galvanised		
Trolley TT Rollwagen TT	29.2	586681000
 Galvanised		

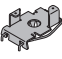
	[kg]	Article n°
Super plate 15.0 Superplatte 15,0	1.1	581966000
 Galvanised Height: 6 cm Diameter: 12 cm Width-across: 27 mm		DIN 18216
Tie rod 15.0mm galvanised 0.50m	0.72	581821000
Tie rod 15.0mm galvanised 0.75m	1.1	581822000
Tie rod 15.0mm galvanised 1.00m	1.4	581823000
Tie rod 15.0mm galvanised 1.25m	1.8	581826000
Tie rod 15.0mm galvanised 1.50m	2.2	581827000
Tie rod 15.0mm galvanised 1.75m	2.5	581828000
Tie rod 15.0mm galvanised 2.00m	2.9	581829000
Tie rod 15.0mm galvanised 2.50m	3.6	581852000
Tie rod 15.0mm galvanisedm	1.4	581824000
Tie rod 15.0mm non-treated 0.50m	0.73	581870000
Tie rod 15.0mm non-treated 0.75m	1.1	581871000
Tie rod 15.0mm non-treated 1.00m	1.4	581874000
Tie rod 15.0mm non-treated 1.25m	1.8	581886000
Tie rod 15.0mm non-treated 1.50m	2.1	581876000
Tie rod 15.0mm non-treated 1.75m	2.5	581887000
Tie rod 15.0mm non-treated 2.00m	2.9	581875000
Tie rod 15.0mm non-treated 2.50m	3.6	581877000
Tie rod 15.0mm non-treated 3.00m	4.3	581878000
Tie rod 15.0mm non-treated 3.50m	5.0	581888000
Tie rod 15.0mm non-treated 4.00m	5.7	581879000
Tie rod 15.0mm non-treated 6.00m	8.6	581881000
Tie rod 15.0mm non-treatedm	1.4	581873000
Ankerstab 15,0mm		
 DIN 18216		
Screw-on coupler 48mm 50	0.84	682002000
Screw-on coupler 48mm 95	0.88	586013000
Anschraubkupplung		
 Galvanised Width-across: 22 mm Follow fitting instructions!		
Swivel coupler 48mm Drehkupplung 48mm	1.5	582560000
 Galvanised Width-across: 22 mm Follow fitting instructions!		
Brace stirrup 8 Spannbügel 8	2.7	582751000
 Galvanised Width: 19 cm Height: 46 cm Width-across: 30 mm		
Safety plate for brace stirrup 8 Sicherungsblech für Spannbügel 8	0.05	582753000
 red Length: 23 cm		
Dokamatic strut connection Dokamatic-Stützenanschluss	1.3	586215000
 Galvanised Height: 26 cm		
Dokamatic scaffold connection Dokamatic-Gerüstanschluss	3.4	586216000
 Galvanised Height: 27 cm		


	[kg]	Article n°
Spring locked connecting pin 16mm Federbolzen 16mm	0.25	582528000
 Galvanised Length: 15 cm		


Doka express anchor 16x125mm Doka-Expressanker 16x125mm	0.31	588631000
 Galvanised Length: 18 cm Follow fitting instructions!		

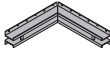
Doka coil 16mm Doka-Coil 16mm	0.009	588633000
 Galvanised Diameter: 1.6 cm		


Gauge for Doka express anchor 16x125mm Lehre Doka-Expressanker 16x125mm	0.03	588632000
 Black Length: 3 cm Diameter: 2 cm		

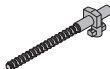
Supporting head H20 DF Haltekopf H20 DF	0.77	586179000
 Galvanised Length: 19 cm Width: 11 cm Height: 8 cm		


Alu box beam supporting head Haltekopf Schalungsträger Alu	0.71	585863000
 Galvanised		


Universal end-shutter support 30cm Universal-Abschaltwinkel 30cm	1.0	586232000
 Galvanised Height: 21 cm		


Framax S universal corner waling Framax S-Eckklemmschiene	13.1	588521000
 Painted blue Leg length: 60 cm		

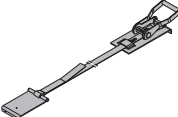
Dokamatic edge clamp 0.70m Dokamatic-Randklemme 0,70m	3.9	586222000
 Galvanised		

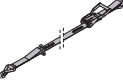
Frami universal fixing bolt 5-12cm Frami-Universalverbinder 5-12cm	0.43	588479000
 Galvanised Length: 23 cm		


Screw-on handrail post 1.50m Anschraubgeländer 1,50m	10.0	540451080
 Galvanised		


	[kg]	Article n°
Handrail post T 1.80m Einschubgeländer T 1,80m	17.7	584373000
 Galvanised		

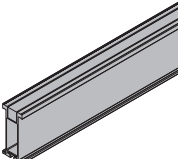
Handrail clamp S Schutzgeländerzwinde S	11.5	580470000
 Galvanised Height: 123 - 171 cm		

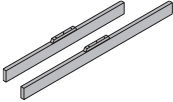
Strip tensioner B 6.00m Bandzwinde B 6,00m	3.3	580394500
 Galvanised		

Lashing strap 5.00m Zurrurt 5,00m	2.8	586018000
 Yellow		

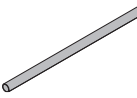
Plastic mallet 4kg Kunststoffhammer 4kg	4.5	586097000
 Blue Length: 110 cm		

Doka personal fall-arrest set Doka-Auffanggurt	3.6	583022000
 Follow the directions in the "Operating Instructions!"		CE

Alu box beam 8'-0"	15.4	585860000
Alu box beam 12'-0"	23.1	585861000
Alu box beam 18'-0"	34.7	585862000
Alu box beam 8'-0" Alu box beam 12'-0" Alu box beam 18'-0" Schalungsträger Alu		Aluminium
		

	[kg]	Article n°
Insertion beam 1.95m	7.1	183074000
Insertion beam 2.45m	8.9	183075000
Einschubträger		
		
Varnished yellow		

Scaffold tube 48.3mm 0.50m	1.7	682026000
Scaffold tube 48.3mm 1.00m	3.6	682014000
Scaffold tube 48.3mm 1.50m	5.4	682015000
Scaffold tube 48.3mm 2.00m	7.2	682016000
Scaffold tube 48.3mm 2.50m	9.0	682017000
Scaffold tube 48.3mm 3.00m	10.8	682018000
Scaffold tube 48.3mm 3.50m	12.6	682019000
Scaffold tube 48.3mm 4.00m	14.4	682021000
Scaffold tube 48.3mm 4.50m	16.2	682022000
Scaffold tube 48.3mm 5.00m	18.0	682023000
Scaffold tube 48.3mm 5.50m	19.8	682024000
Scaffold tube 48.3mm 6.00m	21.6	682025000
Scaffold tube 48.3mmm	3.6	682001000
Gerüstrohr 48,3mm		

		
Galvanised		
Spindle strut T7 75/110cm	13.2	584308000
Spindle strut T7 100/150cm	16.8	584309000
Spindle strut T7 150/200cm	21.6	584324000
Spindle strut T7 200/250cm	26.2	584325000
Spindle strut T7 250/300cm	29.4	584326000
Spindle strut T7 305/355cm	35.0	584327000
Spindelstrebe T7		

		
Galvanised		

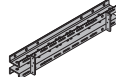
Doka floor prop Eurex 30 250	14.8	586092000
Length: 152 - 250 cm		
Doka floor prop Eurex 30 300	16.7	586093000
Length: 172 - 300 cm		
Doka floor prop Eurex 30 350	20.5	586094000
Length: 197 - 350 cm		
Doka floor prop Eurex 30 400	24.9	586095000
Length: 227 - 400 cm		
Doka floor prop Eurex 30 450	29.2	586119000
Length: 248 - 450 cm		
Doka-Deckenstütze Eurex 30		

		
Galvanised		

	[kg]	Article n°
Doka floor prop Eurex 20 550	34.6	586090000
Doka-Deckenstütze Eurex 20 550		

		
Galvanised		
Length: 297 - 550 cm		

Multi-purpose waling WS10 Top50 0.50m	10.2	580001000
Multi-purpose waling WS10 Top50 0.75m	14.9	580002000
Multi-purpose waling WS10 Top50 1.00m	19.6	580003000
Multi-purpose waling WS10 Top50 1.25m	24.7	580004000
Multi-purpose waling WS10 Top50 1.50m	29.7	580005000
Multi-purpose waling WS10 Top50 1.75m	35.0	580006000
Multi-purpose waling WS10 Top50 2.00m	38.9	580007000
Multi-purpose waling WS10 Top50 2.25m	44.2	580008000
Multi-purpose waling WS10 Top50 2.50m	48.7	580009000
Multi-purpose waling WS10 Top50 2.75m	54.2	580010000
Multi-purpose waling WS10 Top50 3.00m	58.9	580011000
Multi-purpose waling WS10 Top50 3.50m	68.4	580012000
Multi-purpose waling WS10 Top50 4.00m	79.4	580013000
Multi-purpose waling WS10 Top50 4.50m	89.1	580014000
Multi-purpose waling WS10 Top50 5.00m	102.0	580015000
Multi-purpose waling WS10 Top50 5.50m	112.4	580016000
Multi-purpose waling WS10 Top50 6.00m	118.0	580017000
Mehrzweckriegel WS10 Top50		

		
Painted blue		