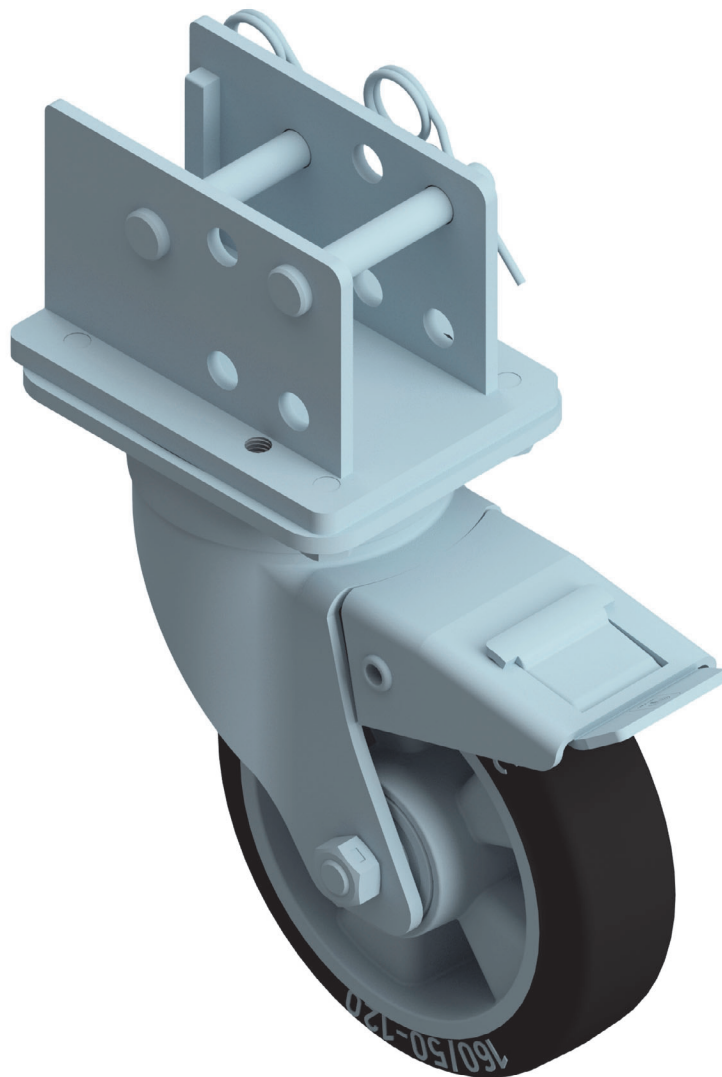


Universal castor wheel for transport pallet

Art. n°: 584043000

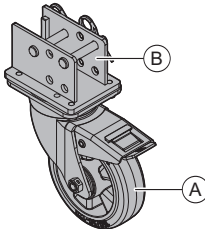
User Information



Product description

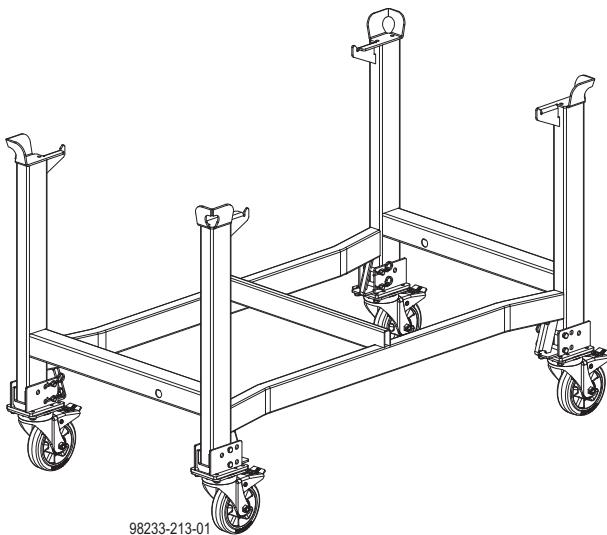
The Universal castor wheel for transport pallet turns multi-trip packaging items into fast and manoeuvrable transport devices.

- 4 castor wheels needed per multi-trip packaging item.
- For compatible multi-trip packaging items, see table in the section headed [Mounting and dismounting](#).



- A Castor wheel
- B Universal wheel adapter (incl. fastening pin and spring cotter)

Practical example with stacking pallet

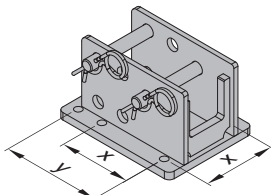


Note:

The Universal wheel adapter (incl. fastening pin and spring cotter) can also be ordered and used separately if country-specific castor wheels are required.

Bolting items required for each castor wheel:

- 4 hexagon bolts M10x20
- 4 spring washers A10



- x ... 3" (7.6 cm)
- y ... 4" (10.5 cm)

Notes on safe usage



WARNING

Do not use multi-trip packaging items fitted with castor wheels on slab formwork.

- ▶ There must be a flat, firm base capable of supporting the load (e.g. concrete).



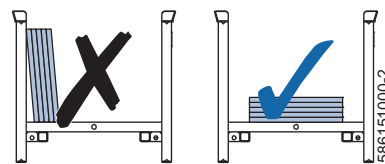
NOTICE

Usage location:

- Max. gradient of floor 3%.
- Either close structure openings with decking of adequate strength secured so that it cannot slip out of place, or cordon off the openings with edge railings of adequate strength!

Loading:

- Load multi-trip packaging items centrally.



Stacking:

- No castor wheels may be fitted to the bottom multi-trip packaging item in the stack!
- Stacked multi-trip boxes or pallets must have the heaviest boxes at the bottom and the lightest at the top!

Fixing brake:

- Activate the fixing brake when parking the multi-trip packaging item!
- Ensure that the fixing brake is accessible when the multi-trip packaging item is loaded!

Travelling:

- Max. travel speed 2.5 mph (4 km/h) (walking pace)
- Keep the travel route clean and free of any obstacles.
- It is forbidden to use any other mechanical assistance for the travelling operation!
- It is forbidden to wheel multi-trip packaging items that have been stacked on top of one another!
- Secure multi-trip packaging items against wind when parking, especially during storms.

Lifting by crane:

- The universal castor wheels can remain on the multi-trip packaging item during repositioning. Before attaching the lifting chains, check the following:
 - All fastening pins are fitted and secured with spring cotters.
 - The fixing brake is activated.

Observe additional notes on multi-trip packaging items in the corresponding User Information booklets!

Mounting and dismounting



NOTICE

The instructions below show installation using the example of a stacking pallet.
Depending on the multi-trip packaging item, observe the correct position of the castor wheel and fastening pin (see table).



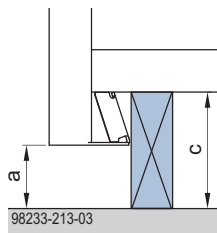
WARNING

Danger of crushing!

- Ensure that the supporting timber is tilt-proof!

Installation:

- Lift the stacking pallet and temporarily raise it with supporting timber.

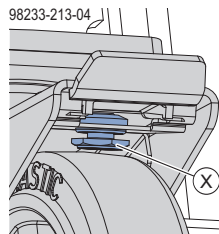


$a_{min.}$ and $c_{min.}$ see table

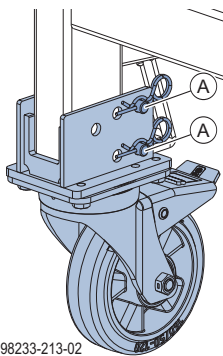
- Activate the fixing brake of castor wheel.



If necessary, adjust the braking force using the adjustment screw (X) (width across flats 3/4" (19 mm)).



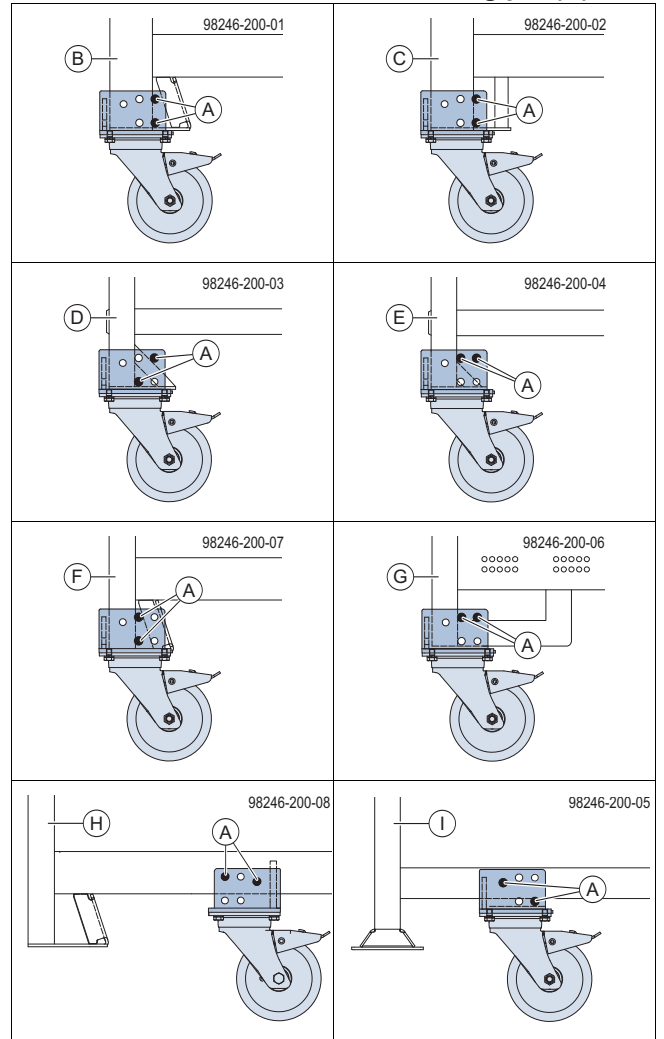
- Place the castor wheel in the appropriate position from below and secure with 2 fastening pins and 2 spring cotters.



A Fastening pins and spring cotters

- Remove the supporting timber.

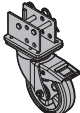
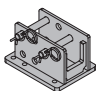
Position of castor wheel and fastening pin (A)



Pos.	Multi-trip packaging	Year of manufacture	$a_{min.}$	$c_{min.}$		
B	<ul style="list-style-type: none"> ▪ Doka stacking pallet 1.55x0.85m and 1.20x0.80m 	2015 onward	9" (22 cm)	1'-1" (33 cm)		
C		2008 - 2014				
D	<ul style="list-style-type: none"> ▪ Doka accessory box 	2004 - 2007				
E	<ul style="list-style-type: none"> ▪ Dokadek infill beam pallet 	1994 - 2003				
F	<ul style="list-style-type: none"> ▪ Doka stacking pallet 2.00x1.70m 	any				
G	<ul style="list-style-type: none"> ▪ Doka multi-trip transport box 1.20x0.80m ▪ Doka skeleton transport box 1.70x0.80m 	any				
H	<ul style="list-style-type: none"> ▪ DokaXdek panel pallet 1.00x2.00m and 0.75x2.00m 	any			5 1/2" (14 cm)	9 1/2" (24 cm)
I	<ul style="list-style-type: none"> ▪ Superdek beam pallet 1.22x1.10m 	any				

Dismounting:

- Activate the fixing brake of castor wheel.
- Lift the stacking pallet and temporarily raise it with supporting timber.
- Remove the spring cotters and fastening pins. Then remove the castor wheel.
- Remove the supporting timber.

	[kg]	Article N°	[kg]	Article N°
Universal castor wheel for transport pallet Universal-Lenkrolle Transportgebinde  Galvanised Height: 28.8 cm	6.0	584043000		
Universal wheel adapter Universal-Radadapter  Galvanised Length: 13.6 cm Width: 10.2 cm Height: 8.3 cm	1.9	586756600		