

The Formwork Experts.

Multi-trip packaging

User Information

Instructions for assembly and use (Method statement)



Contents

3 Introduction

3 Elementary safety warnings

6 Multi-trip packaging

6 Doka multi-trip transport box

8 Doka stacking pallet 1.55x0.85m and
1.20x0.80m

9 Doka accessory box

10 Doka skeleton transport box 1.70x0.80m

11 Bolt-on castor set B

12 Article list

Introduction

Elementary safety warnings

User target groups

- This booklet is aimed at all persons who will be working with the Doka product or system that it describes. It contains information on the standard design for setting up this system, and on correct, compliant utilisation of the system.
- All persons working with the product described herein must be familiar with the contents of this booklet and with all the safety instructions it contains.
- Persons who are incapable of reading and understanding this booklet, or who can do so only with difficulty, must be instructed and trained by the customer.
- The customer is to ensure that the information materials provided by Doka (e.g. User Information booklets, Instructions for Assembly and Use, Operating Instruction manuals, plans etc.) are up to date and available to all users, and that they have been made aware of them and have easy access to them at the usage location.
- In the relevant technical documentation and form-work utilisation plans, Doka shows the workplace safety precautions that are necessary in order to use the Doka products safely in the usage situations shown.
In all cases, users are obliged to ensure compliance with national laws, standards and regulations throughout the entire project and to take appropriate additional or alternative workplace safety precautions where necessary.

Hazard assessment

- The customer is responsible for drawing up, documenting, implementing and continually updating a hazard assessment at every job-site. This booklet serves as the basis for the site-specific hazard assessment, and for the instructions given to users on how to prepare and utilise the system. It does not substitute for these, however.

Remarks on this booklet

- This document can be used as general Instructions for Assembly and Use (Method Statement) or be incorporated into site-specific Instructions for Assembly and Use (Method Statement).
- **The graphics, animations and videos in this document or app sometimes depict partially assembled assemblies and may require additional safety equipment and/or measures to comply with safety regulations.**
The customer must ensure all applicable regulations are complied with, even if they are not shown or implied in the graphics, animations and videos provided.
- **Individual sections contain further safety instructions and/or special warnings as applicable.**

Planning

- Provide safe workplaces for those using the form-work (e.g. for when it is being erected/dismantled, modified or repositioned etc). It must be possible to get to and from these workplaces via safe access routes!
- **If you are considering any deviation from the details and instructions given in this booklet, or any application which goes beyond those described in the booklet, then revised static calculations must be produced for checking, as well as supplementary assembly instructions.**

Regulations; industrial safety

- All laws, Standards, industrial safety regulations and other safety rules applying to the utilisation of our products in the country and/or region in which you are operating must be observed at all times.
- If a person or object falls against, or into, the side-guard component and/or any of its accessories, the component affected may only continue in use after it has been inspected and passed by an expert.

Rules applying during all phases of the assignment

- The customer must ensure that this product is erected and dismantled, reset and generally used for its intended purpose in accordance with the applicable laws, standards and rules, under the direction and supervision of suitably skilled persons. These persons' mental and physical capacity must not in any way be impaired by alcohol, medicines or drugs.
- Doka products are technical working appliances which are intended for industrial / commercial use only, always in accordance with the respective Doka User Information booklets or other technical documentation authored by Doka.
- The stability and load-bearing capacity of all components and units must be ensured during all phases of the construction work!
- Do not step on or apply strain to cantilevers, closures, etc. until suitable measures to ensure their stability have been correctly implemented (e.g. by tie-backs).
- Strict attention to and compliance with the functional instructions, safety instructions and load specifications are required. Non-compliance can cause accidents and severe injury (risk of fatality) and considerable damage to property.
- Sources of fire in the vicinity of the formwork are prohibited. Heaters are permissible only when used correctly and situated a correspondingly safe distance from the formwork.
- Customer must give due consideration to any and all effects of the weather on the equipment and regards both its use and storage (e.g. slippery surfaces, risk of slipping, effects of the wind, etc.) and implement appropriate precautionary measures to secure the equipment and surrounding areas and to protect workers.
- All connections must be checked at regular intervals to ensure that they are secure and in full working order.
In particular threaded connections and wedged connections have to be checked and retightened as necessary in accordance with activity on the jobsite and especially after out-of-the-ordinary occurrences (e.g. after a storm).
- It is strictly forbidden to weld Doka products – in particular anchoring/tying components, suspension components, connector components and castings etc. – or otherwise subject them to heating.
Welding causes serious change in the microstructure of the materials from which these components are made. This leads to a dramatic drop in the failure load, representing a very great risk to safety.
It is permissible to cut individual tie rods to length with metal cutting discs (introduction of heat at the end of the rod only), but it is important to ensure that flying sparks do not heat and thus damage other tie rods.
The only articles which are allowed to be welded are those for which the Doka literature expressly points out that welding is permitted.

Assembly

- The equipment/system must be inspected by the customer before use, to ensure that it is in an acceptable condition. Steps must be taken to exclude components that are damaged, deformed, or weakened due to wear, corrosion or rot (e.g. fungal decay).
- Using our safety and formwork systems together with those of other manufacturers can create risks that may lead to injury and damage to property. This requires separate verification by the user.
- The equipment/system must be assembled and erected in accordance with the applicable laws, standards and rules by trained customer personnel whilst maintaining any applicable safety inspections that may be required.
- It is not permitted to modify Doka products; such modifications constitute a safety risk.

Closing the formwork

- Doka products and systems must be set up so that all loads acting upon them are safely transferred!

Pouring

- Do not exceed the permitted fresh-concrete pressures. Over-high pouring rates overload the formwork, cause greater deflection and risk breakage.

Stripping the formwork

- Do not strip out the formwork until the concrete has reached sufficient strength and the person in charge has given the order for the formwork to be stripped out!
- When stripping out the formwork, never use the crane to break concrete cohesion. Use suitable tools such as timber wedges, special pry-bars or system features such as Framax stripping corners.
- When stripping out the formwork, do not endanger the stability of any part of the structure, or of any scaffolding, platforms or formwork that is still in place!

Transporting, stacking and storing

- Observe all country-specific regulations applying to the handling of formwork and scaffolding. For system formwork the Doka slinging means stated in this booklet must be used – this is a mandatory requirement.

If the type of sling is not specified in this document, the customer must use slinging means that are suitable for the application envisaged and that comply with the regulations.

- When lifting, always make sure that the unit to be lifted and its individual parts can absorb the forces that occur.
- Remove loose parts or secure them so that they cannot slip out of position and drop.
- When lifting formwork or formwork accessories with a crane, no persons must be carried along, e.g. on working platforms or in multi-trip packaging.
- All components must be stored safely, following all the special Doka instructions given in the relevant sections of this document!

Maintenance

- Only original Doka components may be used as spare parts. Repairs may only be carried out by the manufacturer or authorised facilities.

Miscellaneous

The weights as stated are averages for new material; actual weights can differ, depending on material tolerances. Dirt accretions, moisture saturation, etc. can also affect weight.

We reserve the right to make alterations in the interests of technical progress.

Eurocodes at Doka

The permissible values stated in Doka documents (e.g. $F_{perm} = 70$ kN) are not design values (e.g. $F_{Rd} = 105$ kN)!

- It is essential to avoid confusing permissible values with design values!
- Doka documents will continue to state the permissible values.

Allowance has been made for the following partial factors:

- $\gamma_F = 1.5$
- $\gamma_{M, timber} = 1.3$
- $\gamma_{M, steel} = 1.1$
- $k_{mod} = 0.9$

Consequently, all the design values for an EC design calculation can be determined from the permissible values.

Symbols used

The following symbols are used in this document:



DANGER

This is a notifier drawing attention to an extremely dangerous situation in which non-compliance with this notifier will lead to death or severe, irreversible injury.



WARNING

This is a notifier drawing attention to a dangerous situation in which non-compliance with this notifier can lead to death or severe, irreversible injury.



CAUTION

This is a notifier drawing attention to a dangerous situation in which non-compliance with this notifier can lead to slight, reversible injury.



NOTICE

This is a notifier drawing attention to a situation in which non-compliance with this notifier can lead to malfunctions or damage to property.



Instruction

Indicates that actions have to be performed by the user.



Sight-check

Indicates that you need to do a sight-check to make sure that necessary actions have been carried out.



Tip

Points out useful practical tips.



Reference

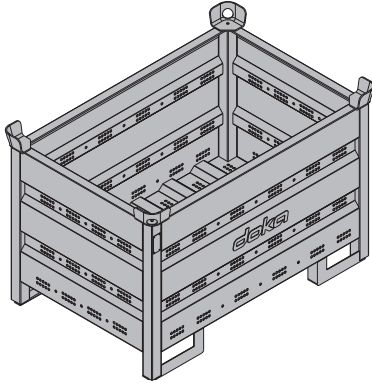
Cross-references other documents.

Multi-trip packaging

Doka multi-trip transport box

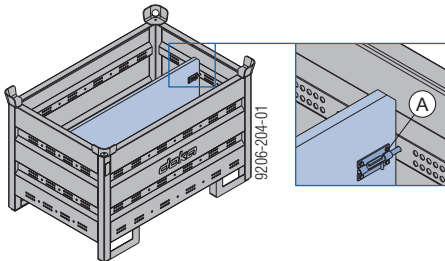
Storage and transport device for small items

Doka multi-trip transport box 1.20x0.80m



Max. carrying capacity: 1500 kg (3300 lbs)
Permitted imposed load: 7850 kg (17300 lbs)

Different items in the Doka multi-trip transport box can be kept separate with the **Multi-trip transport box partitions 1.20m or 0.80m**.



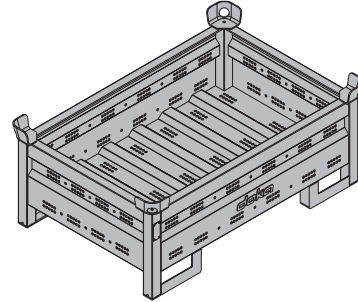
A Slide-bolt for fixing the partition

Possible ways of dividing the box

Multi-trip transport box partition	in the longitudinal direction	in the transverse direction
1.20m	max. 3 partitions	-
0.80m	-	max. 3 partitions

9206-204-02	9206-204-03

Doka multi-trip transport box 1.20x0.80mx0.41m



Max. carrying capacity: 750 kg (1650 lbs)
Permitted imposed load: 7200 kg (15870 lbs)

Using Doka multi-trip transport boxes as storage units

Max. n° of units on top of one another

Outdoors (on the site)		Indoors	
Floor gradients up to 3%		Floor gradients up to 1%	
Doka multi-trip transport box 1.20x0.80m	Doka multi-trip transport box 1.20x0.80x0.41m	Doka multi-trip transport box 1.20x0.80m	Doka multi-trip transport box 1.20x0.80x0.41m
3	5	6	10
It is not allowed to stack empty pallets on top of one another!			



NOTICE

Stacked multi-trip boxes or pallets must have the heaviest boxes at the bottom and the lightest at the top.

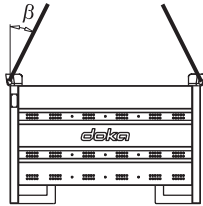
Using Doka multi-trip transport boxes as transport devices

Lifting by crane



NOTICE

- Multi-trip packaging items must be lifted individually.
- Use a suitable crane lifting tackle (e.g. Doka 4-part chain 3.20m).
Do not exceed the permitted working load limit.
- Sling angle β max. 30°!



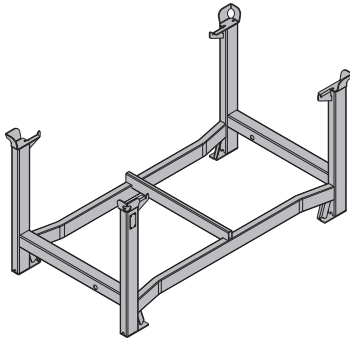
9206-202-01

Repositioning by forklift truck or pallet stacking truck

The forks can be inserted under either the broadside or the narrowside of the containers.

Doka stacking pallet 1.55x0.85m and 1.20x0.80m

Storage and transport devices for long items.



Max. carrying capacity: 1100 kg (2420 lbs)
Permitted imposed load: 5900 kg (12980 lbs)

Using Doka stacking pallets as storage units

Max. n° of units on top of one another

Outdoors (on the site) Floor gradients up to 3%	Indoors Floor gradients up to 1%
2	6
It is not allowed to stack empty pallets on top of one another!	



NOTICE

- Stacked multi-trip boxes or pallets must have the heaviest boxes at the bottom and the lightest at the top.
- **How to use with Bolt-on castor set B:**
 - Always apply the fixing brake when the container is 'parked'.
 - When Doka stacking pallets are stacked, the bottom pallet must NOT be one with a bolt-on castor set mounted to it.

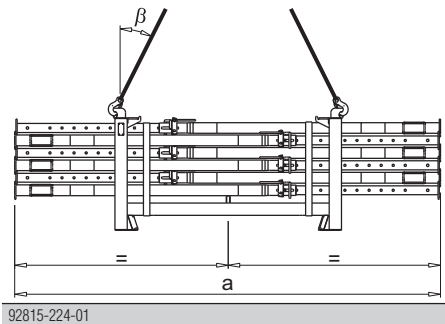
Using Doka stacking pallets as transport devices

Lifting by crane



NOTICE

- Multi-trip packaging items must be lifted individually.
- Use a suitable crane lifting tackle (e.g. Doka 4-part chain 3.20m). Do not exceed the permitted working load limit.
- Load the items centrally.
- Fasten the load to the stacking pallet (e.g. with strapping tape or lashing strap) so that it cannot slide or tip out.
- Sling angle β max. 30°!



	a
Doka stacking pallet 1.55x0.85m	max. 4.5 m
Doka stacking pallet 1.20x0.80m	max. 3.0 m

Repositioning by forklift truck or pallet stacking truck

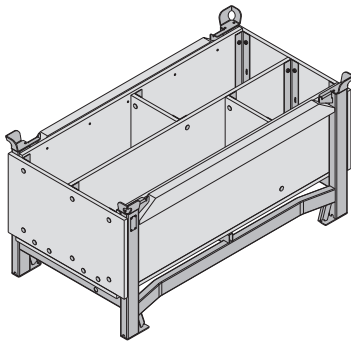


NOTICE

- Load the items centrally.
- Fasten the load to the stacking pallet (e.g. with strapping tape or lashing strap) so that it cannot slide or tip out.

Doka accessory box

Storage and transport device for small items



Max. carrying capacity: 1000 kg (2200 lbs)
Permitted imposed load: 5530 kg (12190 lbs)

Doka accessory boxes as storage units

Max. n° of units on top of one another

Outdoors (on the site) Floor gradients up to 3%	Indoors Floor gradients up to 1%
3	6
It is not allowed to stack empty pallets on top of one another!	



NOTICE

- Stacked multi-trip boxes or pallets must have the heaviest boxes at the bottom and the lightest at the top.
- **How to use with Bolt-on castor set B:**
 - Always apply the fixing brake when the container is 'parked'.
 - When Doka stacking pallets are stacked, the bottom pallet must NOT be one with a bolt-on caster set mounted to it.

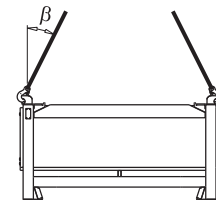
Doka accessory box as transport devices

Lifting by crane



NOTICE

- Multi-trip packaging items must be lifted individually.
- Use a suitable crane lifting tackle (e.g. Doka 4-part chain 3.20m). Do not exceed the permitted working load limit.
- When lifting accessory boxes to which Bolt-on castor sets B have been attached, you must also follow the 'Bolt-on castor set B' User Information booklet!
- Sling angle β max. 30°!



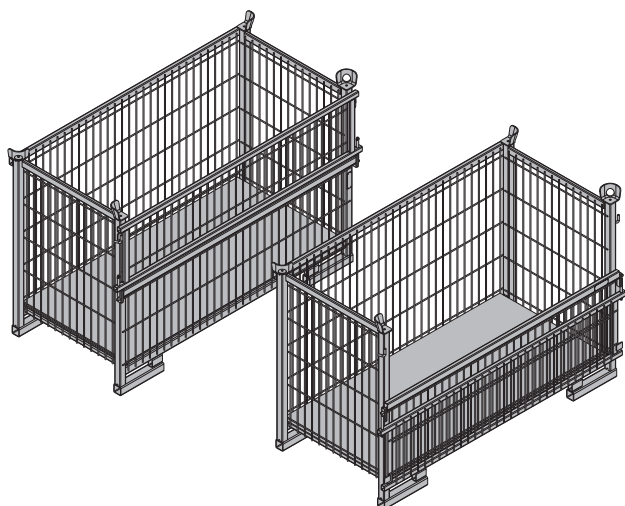
92816-206-01

Repositioning by forklift truck or pallet stacking truck

The forks can be inserted under either the broadside or the narrowside of the containers.

Doka skeleton transport box 1.70x0.80m

Storage and transport device for small items



Max. load-bearing capacity: 700 kg (1540 lbs)
Permitted imposed load: 3150 kg (6950 lbs)

To make the Doka skeleton transport box easier to load and unload, one of its sidewalls can be opened.

Using Doka skeleton transport boxes 1.70x0.80m as storage units

Max. n° of units on top of one another

Outdoors (on the site) Floor gradients up to 3%	Indoors Floor gradients up to 1%
2	5
It is not allowed to stack empty pallets on top of one another!	



NOTICE

Stacked multi-trip boxes or pallets must have the heaviest boxes at the bottom and the lightest at the top.

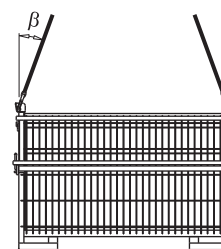
Using Doka skeleton transport boxes 1.70x0.80m as transport devices

Lifting by crane



NOTICE

- Multi-trip packaging items may only be lifted one at a time.
- Only lift the boxes when their sidewalls are closed!
- Use a suitable crane suspension tackle (e.g. Doka 4-part chain 3.20m). Do not exceed the permitted working load limit.
- Sling angle β max. 30°!



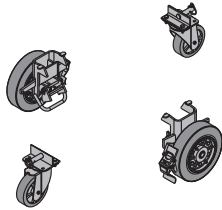
9234-203-01

Repositioning by forklift truck or pallet stacking truck

The forks can be inserted under either the broadside or the narrowside of the containers.

Bolt-on castor set B

The Bolt-on castor set B turns multi-trip packaging items into fast and manoeuvrable transport devices.
Suitable for drive-through access openings > 90 cm.

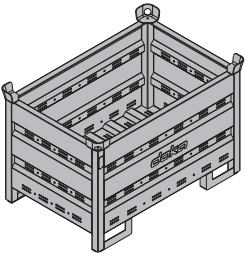

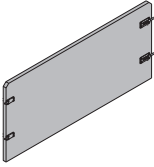
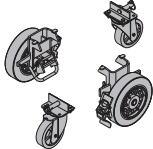
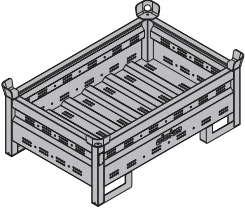
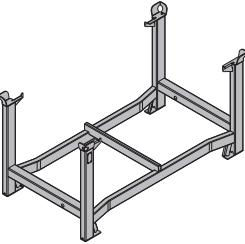
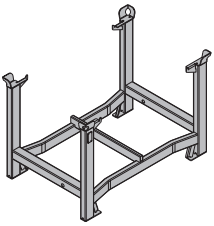
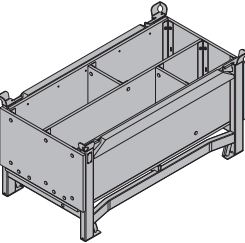


The Bolt-on castor set B can be mounted to the following multi-trip packaging items:

- Doka accessory box
- Doka stacking pallets
- Protective barrier Z pallets



Follow the directions in the 'Bolt-on castor set B' User Information booklet!

	[kg]	Article N°		[kg]	Article N°
<p>Doka multi-trip transport box 1.20x0.80m Doka-Mehrwegcontainer 1,20x0,80m</p>  <p>Galvanised Height: 78 cm</p>	70.0	583011000	<p>Doka skeleton transport box 1.70x0.80m Doka-Gitterbox 1,70x0,80m</p>  <p>Galvanised Height: 113 cm</p>	87.0	583012000
<p>Multi-trip transport box partition 0.80m Multi-trip transport box partition 1.20m Mehrwegcontainer Unterteilung</p>  <p>Steel parts galvanised Timber parts varnished yellow</p>	3.7 5.5	583018000 583017000	<p>Bolt-on castor set B Anklemm-Radsatz B</p>  <p>Painted blue</p>	33.6	586168000
<p>Doka multi-trip transport box 1.20x0.80x0.41m Doka-Mehrwegcontainer 1,20x0,80x0,41m</p>  <p>Galvanised</p>	42.5	583009000			
<p>Doka stacking pallet 1.55x0.85m Doka-Stapelpalette 1,55x0,85m</p>  <p>Galvanised Height: 77 cm</p>	41.0	586151000			
<p>Doka stacking pallet 1.20x0.80m Doka-Stapelpalette 1,20x0,80m</p>  <p>Galvanised Height: 77 cm</p>	38.0	583016000			
<p>Doka accessory box Doka-Kleinteilebox</p>  <p>Timber parts varnished yellow Steel parts galvanised Length: 154 cm Width: 83 cm Height: 77 cm</p>	106.4	583010000			

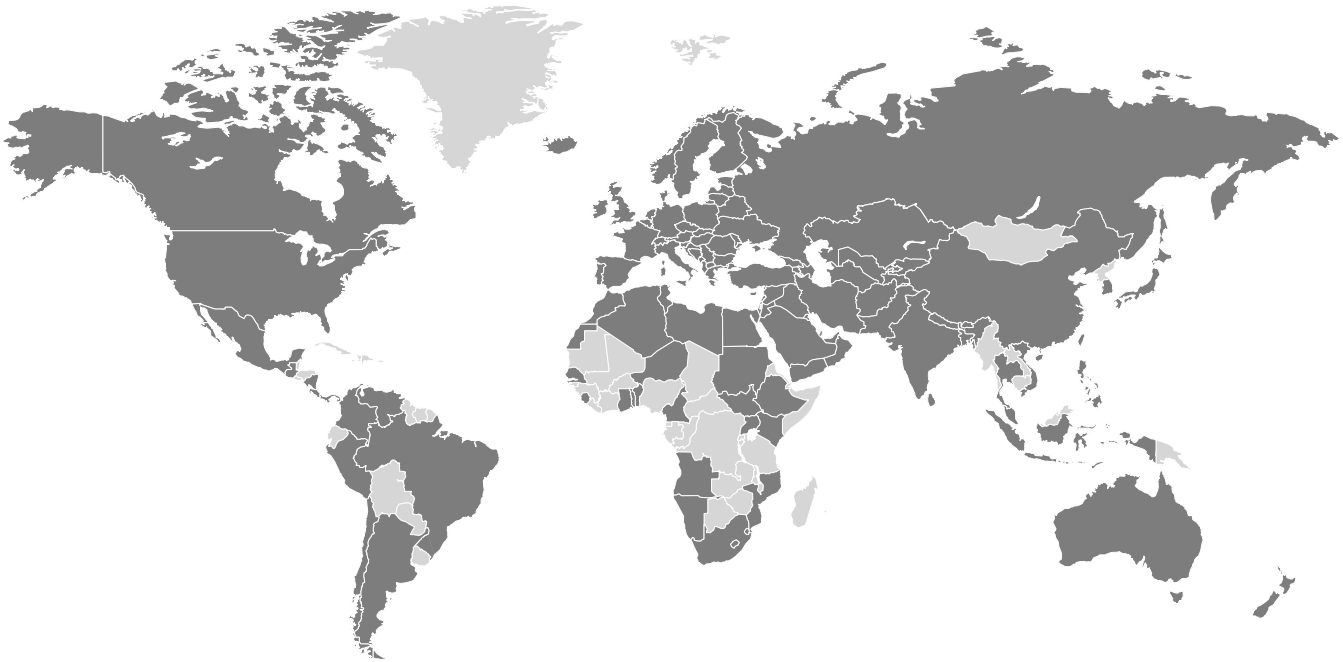
Near to you, worldwide

Doka is one of the world leaders in developing, manufacturing and distributing formwork technology for use in all fields of the construction sector.

With more than 160 sales and logistics facilities in over 70 countries, the Doka Group has a highly efficient distribution network which ensures that equipment and

technical support are provided swiftly and professionally.

An enterprise forming part of the Umdasch Group, the Doka Group employs a worldwide workforce of more than 6000.



www.doka.com/multi-trip-packaging