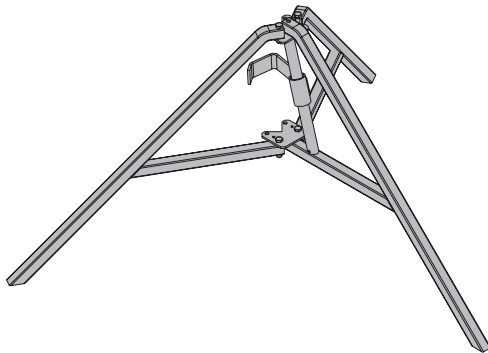


The Formwork Experts.

Removable folding tripod eco

Dokaflex

User Information



NOTICE

- This document is a supplement to the 'Dokaflex' User Information booklet and describes the Removable folding tripod eco, which is not mentioned in the 'Dokaflex' User Information booklet.
- To ensure correct utilisation in terms of technical safety, the information contained in the User Information booklet 'Dokaflex' must be read and observed!



WARNING

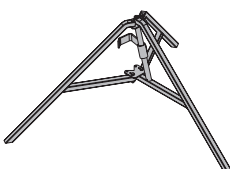
- Use of the Removable folding tripod eco is permitted only for floor props with an extended length of max. 350 cm.



CAUTION

Not a substitute for the bracing necessary for load-bearing towers.

- Use as a set-up aid only!

	[kg]	Art n°
Removable folding tripod eco Stützbein eco	9.4	586294000
 galvanized Height: 67.5 cm Delivery condition: folded		

Clamping range: Ø 45 to Ø 80 mm

Important deviations from the 'Dokaflex' User Information booklet

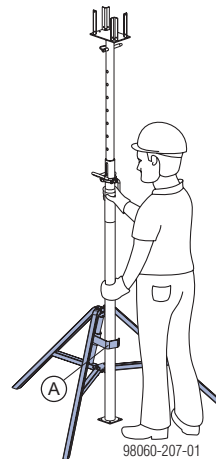
Assembly steps when the Removable folding tripod eco is used:

- Set up each removable folding tripod.



NOTICE

- Do not oil or grease clamping connections.
- Put the prop into the tripod and fix it in place with the clamping bracket (A) (tap this with the hammer). Before anybody steps onto the formwork, check again to make sure that the props have been correctly fixed in the tripods.



The fastening clamp has to be pushed all the way into the floor prop.

