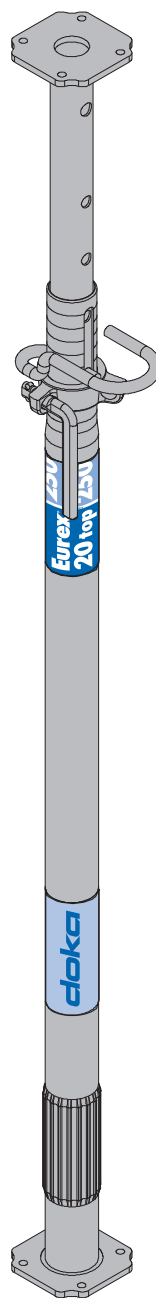


The Formwork Experts.

Doka floor prop Eurex 20 top 250

Art. n° 586086400

Supplement to the User Information booklet



The permitted carrying capacities that can be achieved with the existing Doka floor prop Eurex 20 top 250 are higher than those actually needed in practice with most systems.

The diameters of the outer and inner tubes have now been optimised in such a way that they once again reach a permitted carrying capacity of 20 kN when extended to their full length (as on all other models of Eurex 20 top floor prop).



WARNING

The visible differentiating features are so small that there is no practical way of distinguishing between the versions (models). For this reason, the article number and name will remain unchanged.

► **In future, only use the new permitted carrying capacities on all product assignments with Doka floor props Eurex 20 top 250!**

The new permitted carrying capacities must be observed when using the props with the following formwork systems:

- Panel floor formwork Dokadek 30
- Dokaflex 30 tec

The new permitted carrying capacities have no effect on the following formwork systems:

- Dokamatic table
- Dokaflex table
- Doka Xtra
- Dokaflex 1-2-4



NOTICE

The relevant Doka documents will be revised as soon as possible. However, the large number of different language versions, and in some cases the numbers of printed documents still in stock, mean that it will take some time to complete this update process.

Until this time, please add this supplementary sheet to your old documents.

If you have any in-depth questions, get in touch with your Doka technician directly.



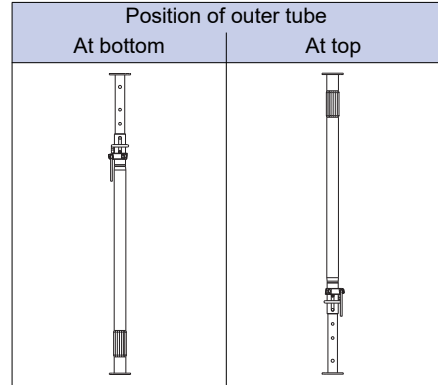
Follow the directions in the "Eurex top floor props" User Information booklet!

Permitted carrying capacity

Used as free (non-system-dependent) construction props

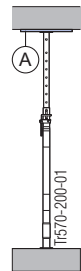
The following table contains the new permitted carrying capacities of the Doka floor prop Eurex 20 top 250, with reference to the extension length and the position of the outer tube (as per General Building-Inspectorate Approval Z-8.311-905).

Prop length [m]	Position of outer tube	
	At bottom	At top
	Prop category to EN 1065	
	B25	C25
	D25	D25
	Permitted carrying capacity [kN]	
2.5	20.2	24.8
2.4	21.3	27.2
2.3	22.5	29.5
2.2	23.3	31.9
2.1	24.0	34.3
2.0	24.6	36.7
1.9	25.8	
1.8	26.9	
1.7	28.4	
1.6	30.1	
1.5	31.8	



When used in Dokamatic and Dokaflex tables, or as temporary reshoring (with props restrained)

Prop length [m]	Permitted carrying capacity [kN]
2.5	30.0
2.4	32.0
2.3	34.0
2.2	36.7
2.1	
2.0	
1.9	
1.8	
1.7	
1.6	
1.5	



NOTICE

Using the props for temporary reshoring: The headplate and baseplate are placed directly against the slab (a formwork-sheeting packing strip (A) is permissible).