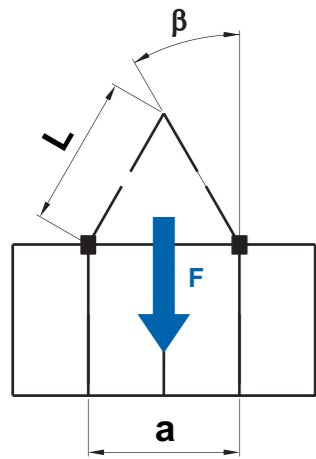


# Building the wall formwork up to a height of 3.30m

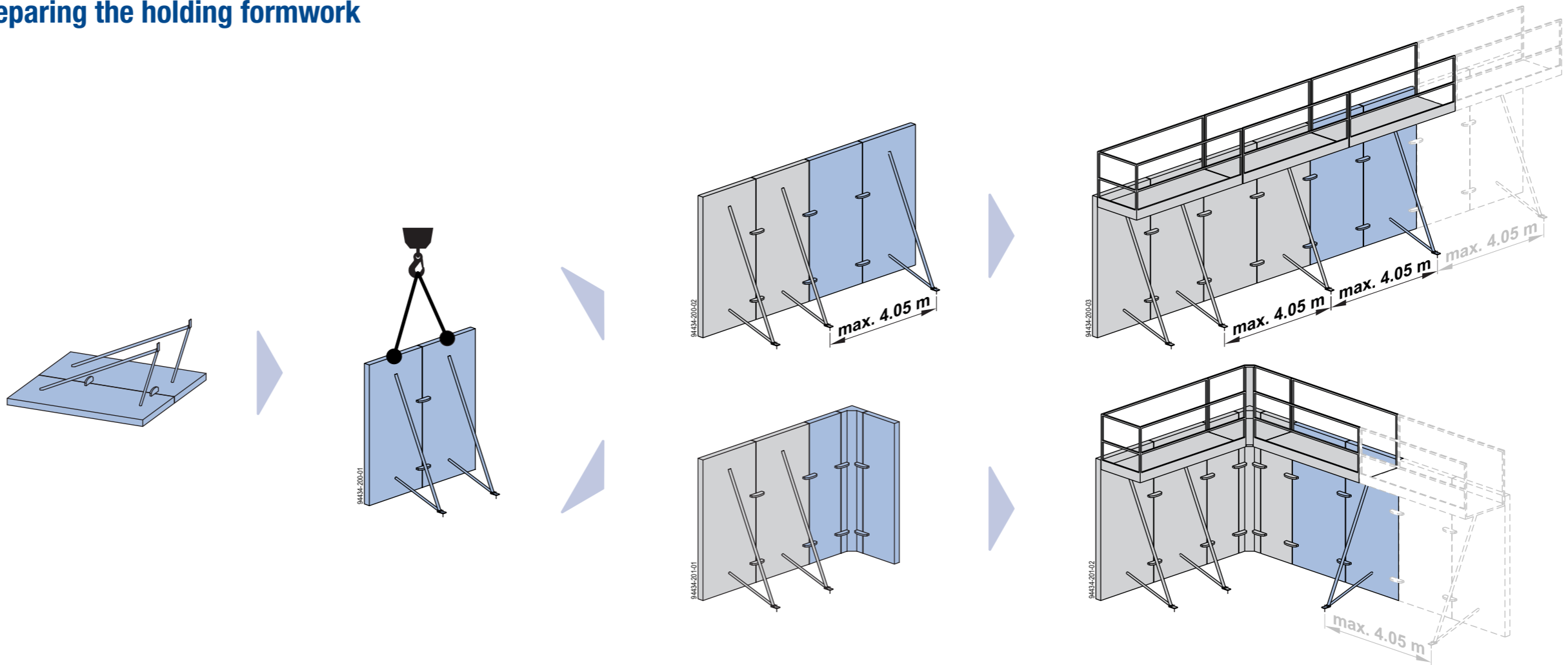
## Lifting point

Angle of inclination $\beta$	Chain length L	Max. load-bearing capacity F
$\leq 30^\circ$	a	1000 kg
$\leq 7.5^\circ$	4 x a	1500 kg

94434-101



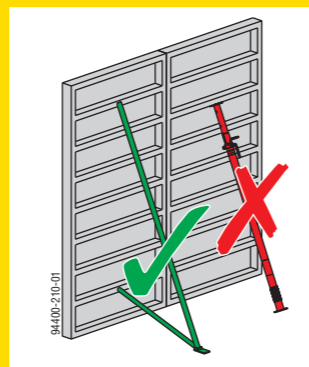
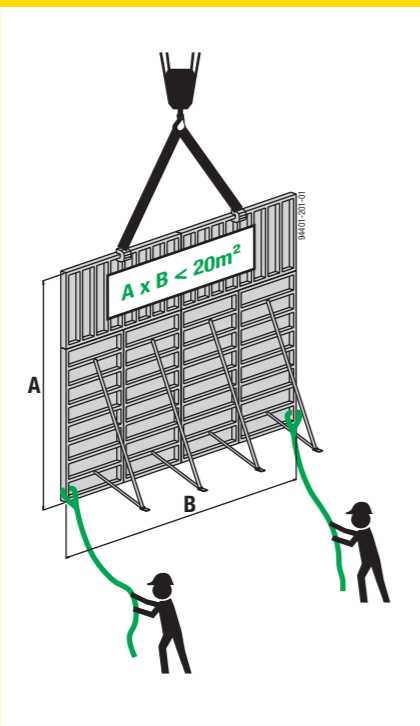
## Preparing the holding formwork



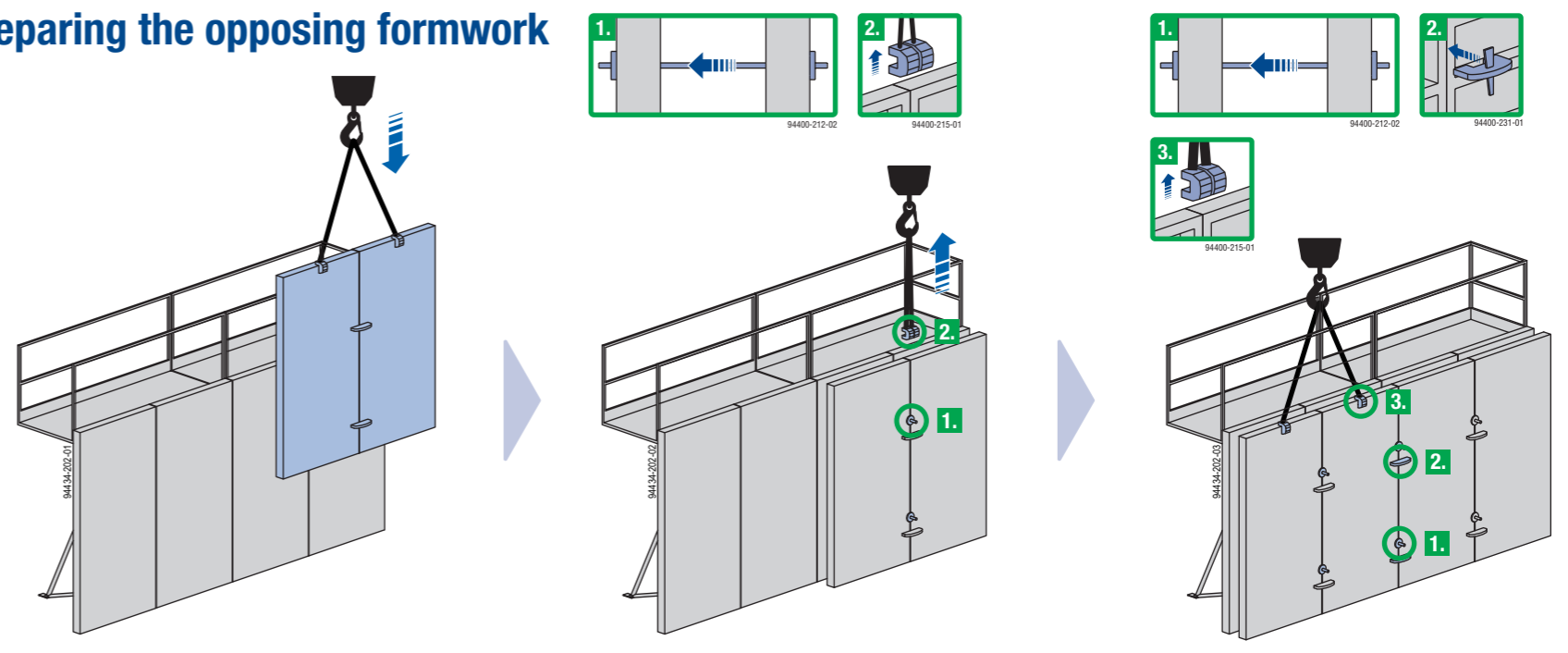
94400-100



94400-101



## Preparing the opposing formwork



This poster is not a substitute for the applicable system User Information booklet!  
[www.doka.com/downloadcenter](http://www.doka.com/downloadcenter)