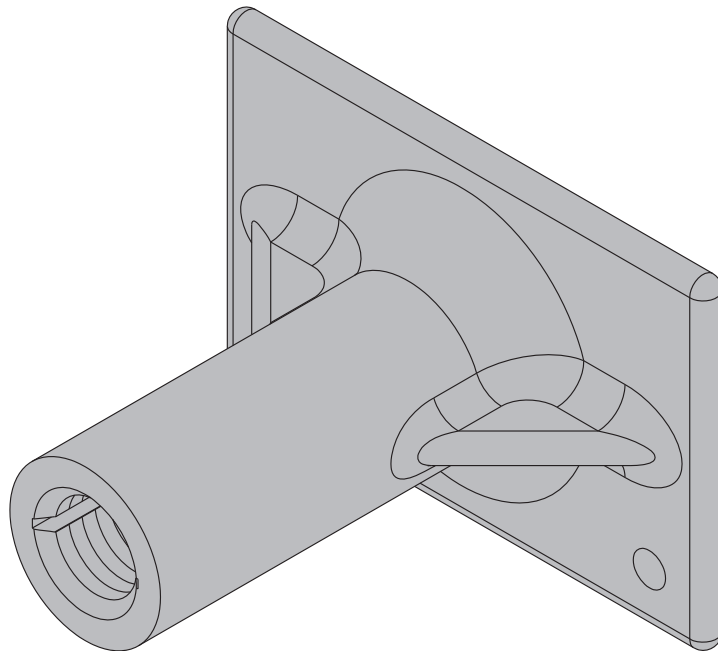


The Formwork Experts.

Bridge edge beam anchor 15.0

Fitting instructions

Please retain for future reference



Basic drawings of product

Nailing cone 15.0

Art. n°: 581897000
Weight: 0.02 kg



Bridge edge beam anchor 15.0 galv.

Art. n°: 581890000
Weight: 0.44 kg



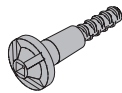
Bridge edge beam anchor 15.0

Art. n°: 581896000
Weight: 0.45 kg



Screw-in cone 15.0

Art. n°: 581895000
Weight: 0.74 kg



Product description

The Bridge edge beam anchor 15.0 is an expendable anchoring component for anchoring Screw-in cones 15.0 in the concrete on one side of a wall.

The Bridge edge beam anchor 15.0 is type-tested.

Permitted loads for an anchoring point, consisting of a Bridge edge beam anchor 15.0 and a Screw-in cone 15.0: see 'Approval n° Z-21.6-1982'.

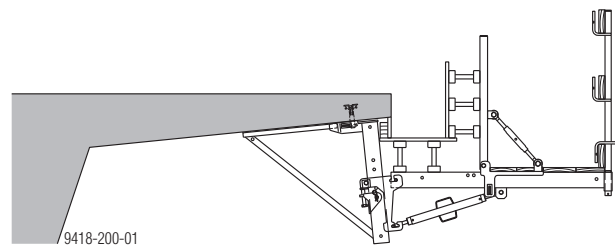


WARNING

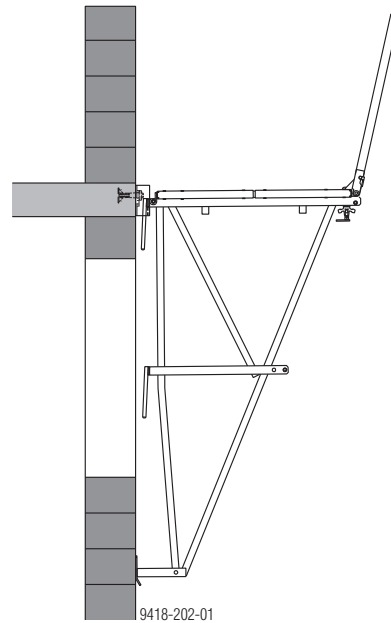
► This concrete suspension point must **not** be used in connection with climbing formwork!

Practical examples

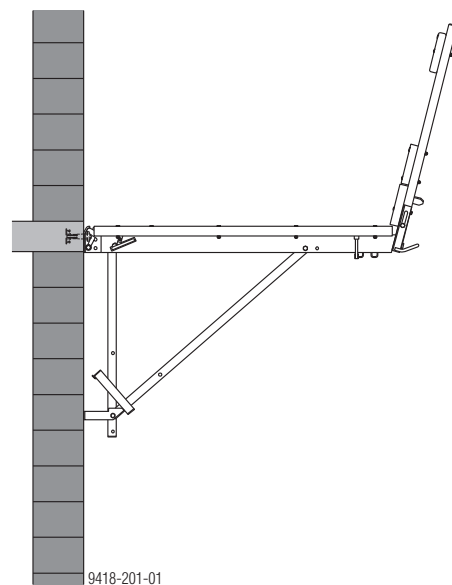
Used with Bridge edge beam formwork T



Used with Bracket platform M (with Suspension shoe M)



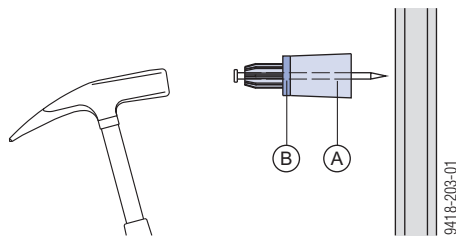
Used with Folding platform A and K (as working and protection platform up to Load Class 3)



Follow the directions in the relevant User Information booklet!

Fitting the Bridge edge beam anchor

- ▶ Nail a nailing cone to the form-ply (position as shown in shop drawing / assembly plan).

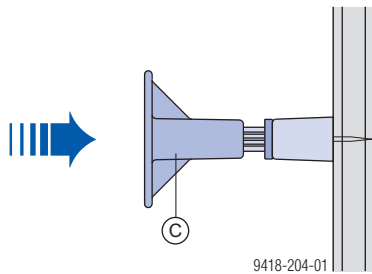


- A** Nailing cone 15.0
- B** Sealing ring



Make sure that the sealing ring is fitted correctly!

- ▶ Push the Bridge edge beam anchor onto the nailing cone.



- C** Bridge edge beam anchor 15.0
- Z** Extra reinforcement steel

- ▶ Tie the Bridge edge beam anchor tightly to the reinforcements with binding wire. This prevents it from working loose during pouring and vibration.

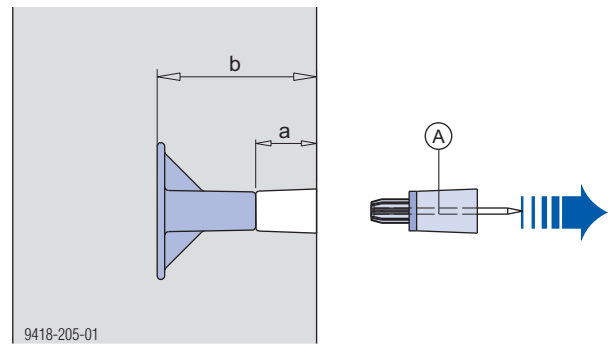


NOTICE

If statically required – place extra reinforcement steel.

After formwork has been struck

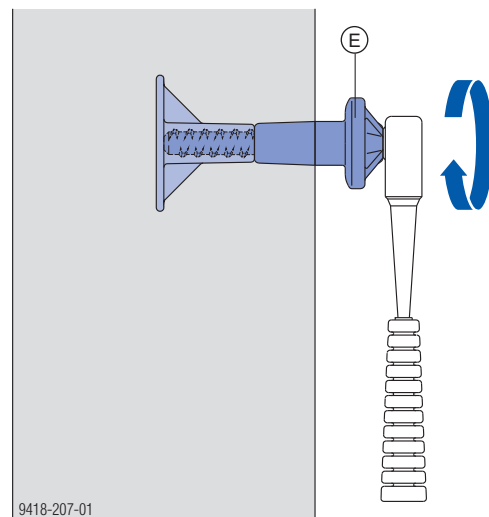
- ▶ Remove the nailing cone from the anchoring point.



- a ... concrete cover 4.0 cm
- b ... placement depth 11.5 cm

- A** Nailing cone 15.0

- ▶ Using a Reversible ratchet 1/2", screw in the Screw-in cone until it is fully engaged.



- E** Screw-in cone 15.0