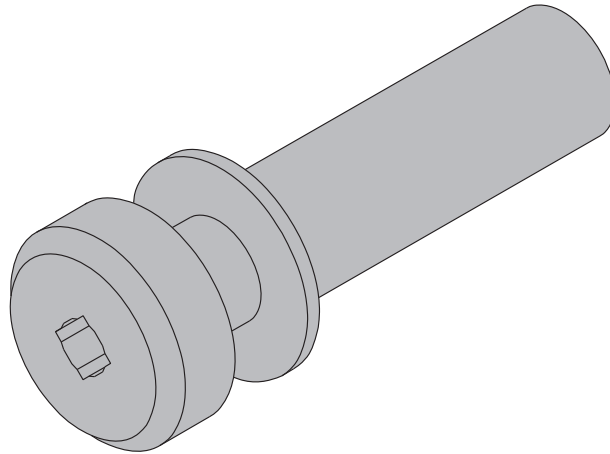


The Formwork Experts.

Suspension cone 15.0 with collar

Art. n° 580428000

Fitting instructions



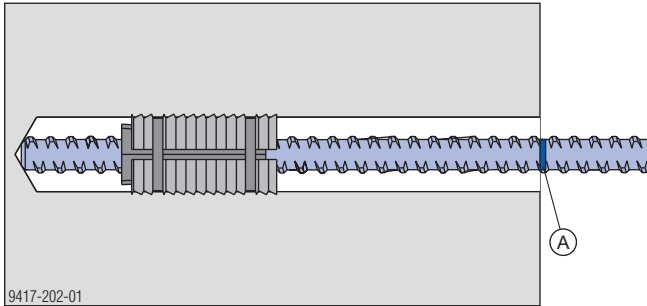
Observe load-bearing capacity as stated in the section headed 'Carrying out the acceptance test' in the 'Rock anchor spreader unit 15.0' Fitting Instructions!



NOTICE

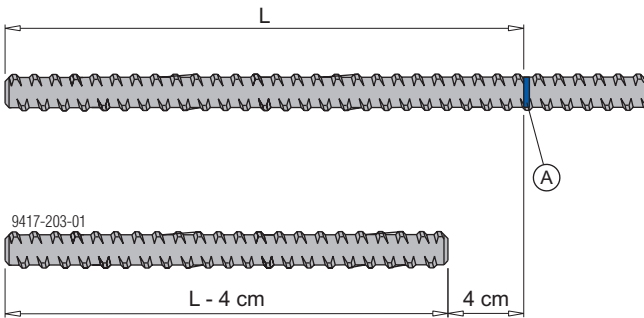
For installation of the Rock anchor spreader unit 15.0, follow the directions in the 'Rock anchor spreader unit 15.0' Fitting Instructions (999415001), but drill the hole to a depth of at least 230 mm, not 210 mm.

- ▶ Mark the Tie rod 15.0 where it emerges from the concrete.
- ▶ Unscrew the Tie rod 15.0.



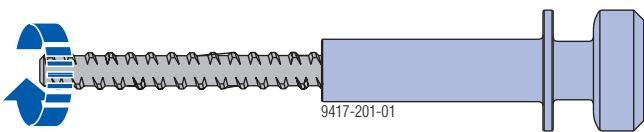
A Length mark

- ▶ Cut the Tie rod 15.0 to length with a cut-off disc for cutting steel.



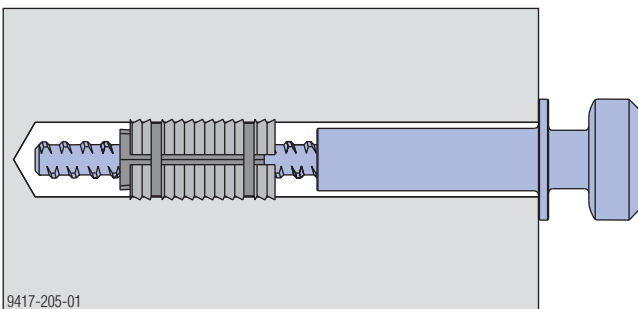
L ... actual depth of drilled hole
 L - 4 cm ... required tie-rod length

- ▶ Screw the prepared Tie rod 15.0 all the way into the Suspension cone with collar 15.0.



WARNING ▶ Take care not to dislocate the spreader segments!

- ▶ Carefully screw the Tie rod 15.0 complete with the Suspension cone with collar 15.0 into the Rock anchor spreader unit 15.0.



The anchoring point is now ready for use.