

The Formwork Experts.

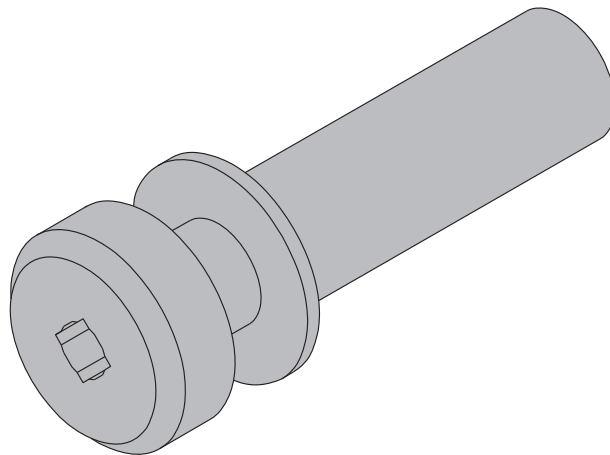
---

# Suspension cone 15.0 with collar

Art. n° 580428000

---

## Fitting instructions



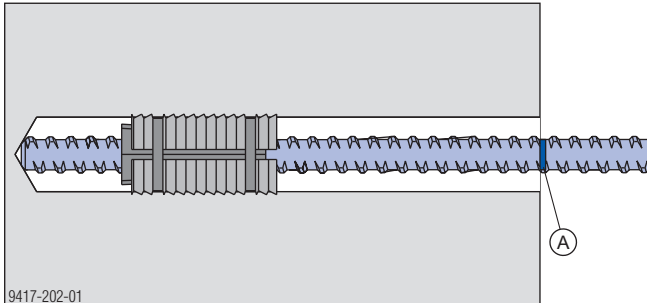
Observe load-bearing capacity as stated in the section headed 'Carrying out the acceptance test' in the 'Rock anchor spreader unit 15.0' Fitting Instructions!



**NOTICE**

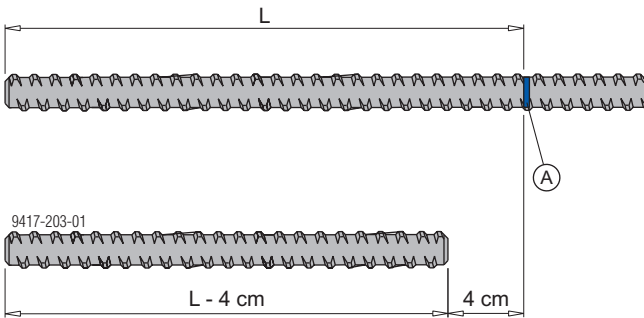
For installation of the Rock anchor spreader unit 15.0, follow the directions in the 'Rock anchor spreader unit 15.0' Fitting Instructions (999415001), but drill the hole to a depth of at least 250 mm, not 210 mm.

- Mark the Tie rod 15.0 where it emerges from the concrete.
- Unscrew the Tie rod 15.0.



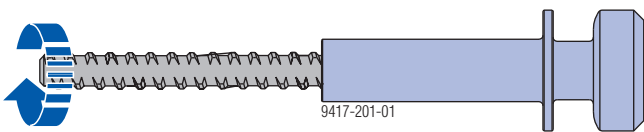
**A** Length mark

- Cut the Tie rod 15.0 to length with a cut-off disc for cutting steel.



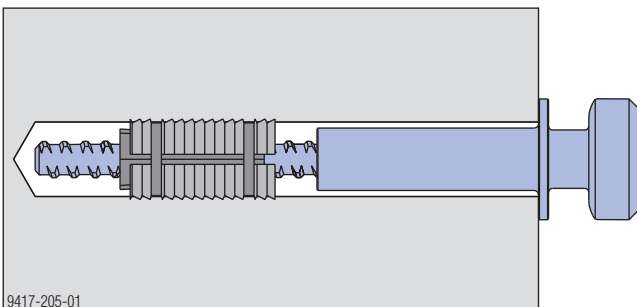
L ... actual depth of drilled hole  
 L - 4 cm ... required tie-rod length

- Screw the prepared Tie rod 15.0 all the way into the Suspension cone with collar 15.0.



Take care not to dislocate the spreader segments!

- Carefully screw the Tie rod 15.0 complete with the Suspension cone with collar 15.0 into the Rock anchor spreader unit 15.0.



**The anchoring point is now ready for use.**