

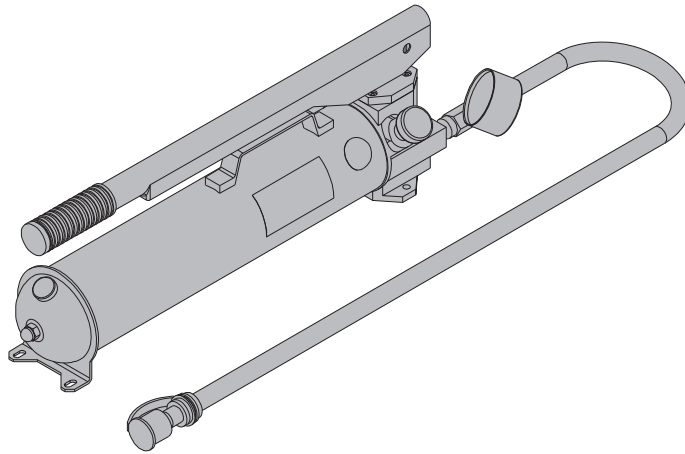
The Formwork Experts.

Hand pump CFT 700bar, Hand pump CFT U

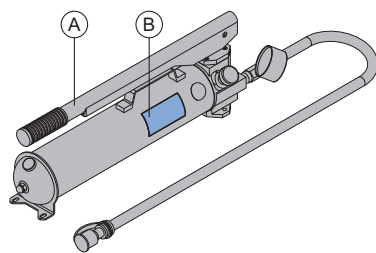
Art.n°: 584695000, 584607500

Original Operating Instructions

Please retain for future reference



Hand pump CFT 700bar



A Hand pump (P159)

B Rating plate

Note:

Hand-pump CFT 700bar is for operation of the following hydraulic cylinders:

- Hollow-plunger cylinder CFT 60t 700bar
- Hollow-plunger cylinder CFT 20t 700bar

Data on rating plate

Designation: Hand pump CFT 700bar

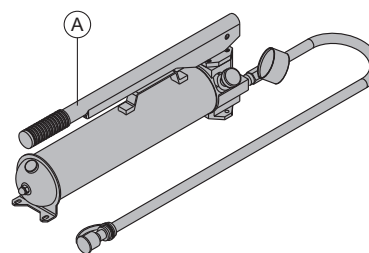
Art. n°: 584695000

Weight including oil filling in kg: 12 kg (26.5 lbs)

Oil grade: Shell Tellus S4 VX 32

Operating temperature: -5° C to +55° C

Hand pump CFT U



A Hand pump (P159)

Oil grade: Shell Tellus S2 V46

Note:

Hand-pump CFT U is for operation of the following hydraulic cylinders:

- Hollow-plunger cylinder CFT 60t U
- Hollow-plunger cylinder CFT 20t U



SPX Hydraulic Technologies
5885 11th Street
Rockford, IL 61109-3699 USA
powerteam.com

Tech Services: (800) 477-8326
Fax: (800) 765-8326
Order Entry: (800) 541-1418
Fax: (800) 288-7031

ORIGINAL INSTRUCTIONS

SINGLE-STAGE AND TWO-STAGE HYDRAULIC HAND PUMP

Max. Pressure: See Pump Data Plate

Operating Instructions for:

62072 (See P159)	201338-TID (See P12)	P157 SERIES
62087 (See P55)	P12 SERIES	P175D SERIES
64122 (See P55)	P19 SERIES	P159 SERIES
64215 (See P59)	P23 SERIES	P159D SERIES
64372 (See P55)	P30F SERIES	P300 SERIES
66463 (See P59)	P55 SERIES	P300D SERIES
64662 (See P157)	P59 SERIES	P460 SERIES
64663 (See P157)	P59F SERIES	YM-01

CONTENTS

SAFETY EXPLANATIONS	3
1. Pictogram Definition	3
SAFETY PRECAUTIONS	4
SET-UP	7
1. Hydraulic Connections	7
OPERATION	7
1. Two-way Valve	8
2. Four-way Valve	8
PREVENTIVE MAINTENANCE	8
1. Bleeding Air From the System	8
2. Bleeding Air From The Pump	8
3. Hydraulic Fluid Level	9
4. Draining And Flushing The Reservoir	9
5. For models with Reservoir Type B & C:	10
6. For models with Reservoir Type D:	10
TROUBLESHOOTING GUIDE	11
POWER TEAM FACILITIES	13
DECLARATION OF INCORPORATION	14

SAFETY EXPLANATIONS

Two safety symbols are used to identify any action or lack of action that can cause personal injury. Your reading and understanding of these safety symbols is very important.



Danger is used only when your action or lack of action will cause serious human injury or death.



Warning is used to describe any action or lack of action where a serious injury can occur.

IMPORTANT

Important is used when action or lack of action can cause equipment failure, either immediate or over a long period of time.

1. Pictogram Definition



Do not remove this component. For service only. Pressure must be released.



It is the operator's responsibility to read and understand the following safety statements,

- Only qualified operators should install, operate, adjust, maintain, clean, repair, or transport this machinery.
- These components are designed for general use in normal environments. These components are not specifically designed for lifting and moving people, agri-food machinery, certain types of mobile machinery or special work environments such as: explosive, flammable or corrosive. Only the user can decide the suitability of this machinery in these conditions or extreme environments. Power Team will supply information necessary to help make these decisions.
- Do not use equipment if damaged, altered, or in poor condition.
- All safety decals must be replaced when unreadable.

These instructions are intended for end-user application needs. Most problems with new equipment are caused by improper operation or installation. Detailed service repair instructions or parts lists can be obtained from your nearest Power Team facility.

SAFETY PRECAUTIONS



To help prevent personal injury,

- Before operating the pump, all hose connections must be tightened with the proper tools. Do not overtighten. Connections need only be tightened securely and leak-free. Overtightening may cause premature thread failure or high pressure fittings to split at pressures lower than their rated capacities.



- Should a hydraulic hose ever rupture, burst, or need to be disconnected, immediately shut off the pump and shift the control valve twice to release all pressure. Never attempt to grasp a leaking hose under pressure with your hands. The force of escaping hydraulic fluid could cause serious injury.
- Do not subject the hose to any potential hazard such as fire, extreme heat or cold, sharp surfaces, heavy impact. Do not allow the hose to kink, twist, curl, or bend so tightly that the fluid flow within the hose is blocked or reduced. Periodically inspect the hose for wear because any of these conditions can damage the hose and result in personal injury.
- Do not use the hose to move attached equipment. Stress may damage the hose and cause personal injury.
- Hose material and coupler seals must be compatible with the hydraulic fluid used. Hoses also must not come in contact with corrosive materials such as creosote-impregnated objects and some paints. Consult the manufacturer before painting a hose. Never paint the couplers. Hose deterioration due to corrosive materials may result in personal injury.
- All components in the hydraulic system must match the maximum pressure rating of the pump.

Pump

- Do not exceed the PSI rating noted on the pump nameplate or tamper with internal high pressure relief valve. Creating pressure beyond rated capacities may result in personal injury.
- Before adding hydraulic fluid, retract the system to prevent overfilling the pump reservoir. An overfill may cause personal injury due to excess reservoir pressure created when cylinders are retracted.
- The load must be under operator control at all times.
- Do not connect pump to hydraulic system powered by another pump.

Cylinder

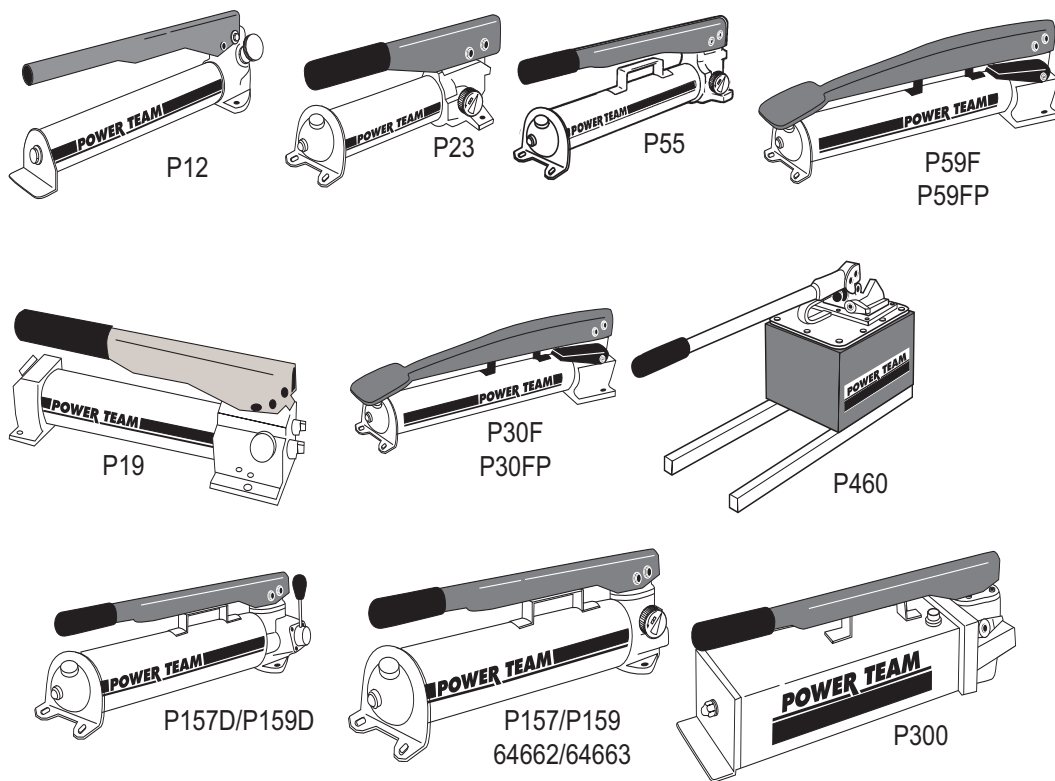
- Do not exceed rated capacities of the cylinders. Excess pressure may result in personal injury.
- Do not set poorly-balanced or off-center loads on a cylinder. The load may tip and cause personal injury.
- Stay clear of lifted loads and keep others away.
- Extensions are not recommended for lifting applications.

SINGLE-STAGE AND TWO-STAGE HYDRAULIC HAND PUMP

Max. Pressure: See Pump Data Plate

Definition: A hydraulic hand pump delivers hydraulic fluid under pressure by directly applied manual effort.

Note: Illustrations depict general pump configurations.



For Use With	Order No.	Volume & Pressure					Handle or Foot Lever Effort		Reservoir					Product Weight	
		Stage	Volume per stroke		Maximum Pressure				Type	Oil Capacity		Usable Oil Capacity			
			ln. ³	cm ³	psi	bar	lbs.	kg		ln. ³	cm ³	ln. ³	cm ³	lbs.	kg.
Single Acting Cylinders (Pump includes 2-Way Valve)	P12	1	0.069	1.1	10000	700	75	34.0	A	12	197	9	148	5.7	2.6
	P19	1	0.305	5	325	22	8.5	3.8	B	24.4	400	20	328	6.6	3
		2	0.091	1.5	10000	700	98.5	44.7							
	P23	1	0.160	2.6	3000	200	70	31.8	B	23.8	390	20.3	333	12.0	5.4
	P30F	1	0.216	3.5	325	22	125	56.7	B	31	508	27	443	10.0	4.5
		2	0.054	0.9	10000	700									
	P30FP	1	0.216	3.5	325	22	125	56.7	B	31	508	27	443	10.0	4.5
		pop-off	0.054	0.9	10000	700									
	P55	1	0.160	2.6	10000	700	145	65.8	B	55	901	45	738	15.8	7.2
	P59	1	0.662	10.8	325	22	145	65.8	B	55	901	45	738	17.2	7.8
		2	0.160	2.6	10000	700									
	P59F	1	0.550	9.0	325	22	120	54.5	B	55	901	45	738	14.0	6.4
2		0.130	2.1	10000	700										
P59FP	1	0.550	9.0	325	22	145	65.8	B	55	901	45	738	14.0	6.4	
	pop-off	0.130	2.1	10000	700										
P157	1	0.650	10.7	1400	97	140	63.5	B	152	2491	137	2245	26.0	11.8	
	2	0.160	2.6	10000	700										
P159	1	2.600	42.6	325	22	140	63.5	B	152	2491	137	2245	26.0	11.8	
	2	0.160	2.6	10000	700										
P300	1	2.600	42.6	325	22	140	63.5	C	1.5 gal.	5.71	310	5081	55.3	25.1	
	2	0.160	2.6	10000	700										
P460	1	7.350	120.5	325	22	90	40.8	D	2.5 gal.	9.51	460	7539	54.9	24.9	
	2	0.294	4.6	10000	700										
Double Acting Cylinders (Pump includes 4-Way Valve)	P157D	1	0.650	10.7	1400	97	140	63.5	B	152	2491	137	2245	28.8	13.1
		2	0.160	2.6	10000	700									
P159D	1	2.600	42.6	325	22	140	63.5	B	152	2491	137	2245	27.9	12.7	
	2	0.160	2.6	10000	700										
P300D	1	2.600	42.6	325	22	140	63.5	C	1.5 gal.	5.71	310	5081	57.0	25.9	
	2	0.160	2.6	10000	700										
P460D	1	7.350	120.5	325	22	90	40.8	D	2.5 gal.	9.51	460	7539	57.9	26.3	
	2	0.294	4.6	10000	700										

Note :

3/8 NPTF oil port(s) on all pumps.

Table 1

SET-UP

1. Hydraulic Connections

IMPORTANT

Seal all hydraulic connections with a high grade, nonhardening thread sealant. PTFE tape may also be used to seal hydraulic connections if only one layer of tape is used. Apply the tape carefully, two threads back, to prevent it from being pinched by the coupler and broken off inside the pipe end. Any loose pieces of tape could travel through the system and obstruct the flow of fluid or cause jamming of precision fit parts.

- A. Clean all areas around the fluid ports of the pump and cylinder. Clean all hose ends, couplers, and union ends. Remove thread protectors from the hydraulic fluid outlets, and connect the hose assembly. Couple hose to cylinder.
- B. The use of a hydraulic pressure or tonnage gauge (not included) is strongly recommended. Remove the pipe plug from the gauge port of the valve, thread the gauge into this port and seal as noted above.



WARNING

To help prevent personal injury,

- The gauge must have the same pressure rating as the pump and cylinder. Personal injury can result if the wrong gauge is used.
- Release hydraulic pressure **BEFORE** removing or tightening hose couplings.

OPERATION

The P460 can be operated only in the horizontal position. All other hand pumps can be operated in a horizontal position or in a vertical position with head pointing downward. Refer to Table 1 and your pump name plate to determine your style of pump.

IMPORTANT

Figure 1 illustrates the normal drop of handle effort experienced when all (except P59) two-stage pumps shift from low pressure stage to high pressure stage.

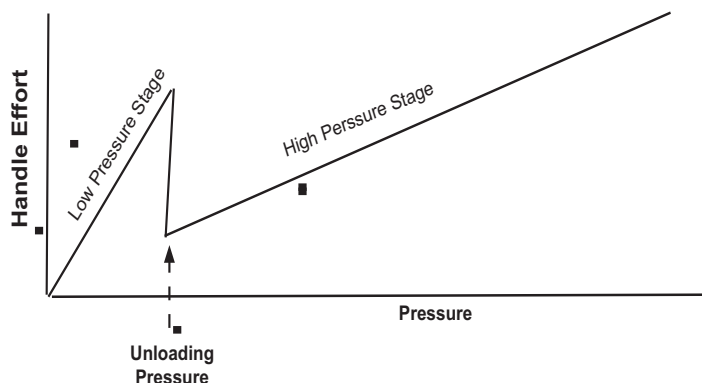


Figure 1

1. Two-way Valve

Pumps with a two-way valve are for use with single-acting cylinders.

- A. 1. To extend the cylinder, turn the valve knob counterclockwise to a closed (seated) position. **Note: Hand tight only!** Work the pump handle up and down to build pressure.
- B. 2. To release pressure, open the valve slowly by turning the knob clockwise to control the load.

2. Four-way Valve

Pumps with a three-position, four-way valve are for use with double-acting cylinders. The hose connection for extending a cylinder can be made to either port. With the handle in the forward position, the fluid is directed to the top fluid port. To maintain (hold) pressure, stop the pumping action. When the valve handle is in the center position, fluid flow is blocked to both ports.



The operator should always release the pressure slowly.

PREVENTIVE MAINTENANCE

IMPORTANT

Any repair or servicing that requires dismantling the pump must be performed in a dirt-free environment by a qualified technician.

Lubrication



- Apply lubricant regularly to all pivot and rubbing points.
Use a good grade of No. 10 motor oil or grease. Do not use dry lubricants.

1. Bleeding Air From the System

Air can accumulate in the hydraulic system during the initial set-up or after prolonged use, causing the cylinder to respond slowly or in an unstable manner. To remove the air:

- A. Position the cylinder at a lower level than the pump, and turn the cylinder rod end down.
- B. Extend and retract the cylinder several times without putting a load on the system. Air will be released into the pump reservoir. Follow the fluid level instructions for your reservoir type to release the air from the reservoir and top off the fluid supply.

2. Bleeding Air From The Pump

When the pump is first put into use, or after refilling the pump's reservoir it may be necessary to bleed any trapped air from the pump. If this is not done the pump will not function properly (will not build pressure or has very spongy operation).

To bleed air from the pump, turn the pressure control knob counterclockwise (CCW) (turn lever down or clockwise on P460 models) and operate the pump handle up and down approximately twenty times. Turn the pressure control knob clockwise (CW) to its full stop position (turn lever up or CCW on P460 models). The pump should now be bled of air and ready to use.

1. Hydraulic Fluid Level



WARNING

Cylinder(s) must be fully retracted before checking the fluid level. Release all system pressure before breaking any hydraulic connection in the system.

Check the hydraulic fluid level in the reservoir periodically. Use a funnel with a filter to add hydraulic fluid if needed. *Refer to Table 1 for your reservoir type.*

For models with Reservoir Type A: Place the pump in a vertical position with the pump head facing upward. Unscrew and remove the pump head from the reservoir. The fluid level within the reservoir should come to the fluid level mark indicated on the reservoir body decal. Before replacing the pump head, visually inspect the O-ring which seals the pump head/reservoir assembly. Replace this O-ring if it is worn or damaged. Reinstall pump head to reservoir and tighten securely. Check for leaks.

For models with Reservoir Type B: Remove the filler cap. The fluid level should come to the bottom edge of the filler hole when the pump is level and resting horizontally on its base and the cylinders are retracted (see Figure 2).

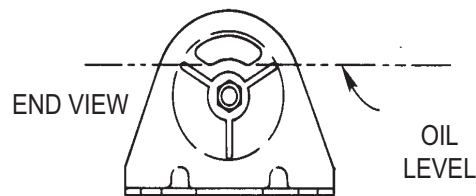


Figure 2

For models with Reservoir Type C: Remove the filler cap. The fluid level should be 1/2 inch (12.7 mm) from the filler hole when the pump is level and resting horizontally on its base and the cylinders are retracted.

IMPORTANT

The pump sight gauge indicates the presence of hydraulic fluid only. It does not determine correct fluid level.

For models with Reservoir Type D: Remove the filler cap. The fluid level should be 1/2 inch (12.7 mm) from the cover plate when the pump is level and resting horizontally on its base and the cylinders are retracted.

2. Draining And Flushing The Reservoir

Drain, clean and replenish the reservoir with high-grade, approved Power Team hydraulic fluid yearly or more often if necessary. The frequency of fluid change will depend upon the general working conditions, severity of use and overall cleanliness and care given the pump.

IMPORTANT

Clean the exterior of the pump first. After draining and flushing the reservoir, drain and clean the other hydraulic system components (hoses, cylinders, etc.) before connecting them to the pump again. This will help prevent contaminated fluid from entering the pump.

Refer to Table 1 for your reservoir type.

For models with Reservoir Type A:

- A. Unthread and separate the pump head from the reservoir. Drain the reservoir of the used hydraulic fluid.
- B. Flush out reservoir with a small amount of clean hydraulic fluid. Clean the pump intake filter.

IMPORTANT

Removing the filter from the pump assembly could result in its breakage. Attempt to clean it as well as possible with it installed.

- C. Refill the reservoir and reassemble the pump head to the reservoir. Tighten securely. Check for leaks.

1. For models with Reservoir Type B & C:

- A. Remove the filler cap. Drain the hydraulic fluid through filler hole.
- B. Remove the nut from the tie rod. Separate the reservoir from the pump body. Clean the reservoir and filter.

IMPORTANT

Removing the filter from the pump assembly could result in its breakage. Attempt to clean it as well as possible with it installed.

- 3. Reassemble and fill the reservoir with Power Team hydraulic fluid. Replace the filler cap.

2. For models with Reservoir Type D:

- A. Remove the ten screws fastening the reservoir cover to the reservoir, and lift the pump and valve assemblies off.
- B. Drain all hydraulic fluid and flush reservoir with a small amount of clean hydraulic fluid.
- C. Remove the pump assembly filter, rinse it clean, and reassemble.
- D. Refill the reservoir with Power Team hydraulic fluid. Place the pump and valve assembly (with gasket) on the reservoir, and thread the ten screws. Tighten securely and evenly.

TROUBLESHOOTING GUIDE

WARNING

To help prevent personal injury, always release pump pressure and disconnect hose(s) from pump before making repairs.

Refer to the appropriate pump parts list during troubleshooting. Repairs must be performed in a dirt-free environment by qualified personnel familiar with this equipment..

PROBLEM	CAUSE	SOLUTION
Pump losing pressure.	<ol style="list-style-type: none"> 1. System components leaking. 2. Directional control valve leaks or not adjusted properly. 3. Fluid leaking past outlet check seat(s). 	<ol style="list-style-type: none"> 1. Repair or replace as necessary. 2.* Reseat, repair, or replace directional control assembly and correctly adjust. 3.* Check for dirt. Reseat pump body and/or replace poppet(s) or ball(s).
Handle rises after each stroke.	<ol style="list-style-type: none"> 1. Fluid leaking past outlet check seat(s) 	<ol style="list-style-type: none"> 1.* Check for dirt. Reseat pump body and/or replace poppet(s) or ball(s).
Pump not delivering fluid.	<ol style="list-style-type: none"> 1. Low fluid level in reservoir. 2. Intake filter is dirty. 3. Seats worn and not seating properly. 	<ol style="list-style-type: none"> 1. Check fluid level per instructions. 2. Remove reservoir and clean. 3.* Repair seats or replace pump body.
Pump does not reach full pressure.	<ol style="list-style-type: none"> 1. Low fluid level in reservoir. 2. System components leaking. 3. Directional control valve leaks or not adjusted properly. 4. Improperly adjusted relief valve. 5. Fluid leaking past inlet or outlet checks or high pressure piston seal damaged. 	<ol style="list-style-type: none"> 1. Check fluid level per instructions 2. Repair or replace as necessary. 3.* Reseat, repair, or replace directional control assembly and correctly adjust. 4.* Readjust. 5.* Reseat or repair inlet or outlet checks or replace high pressure piston seal.
Pump handle can be pushed down (slowly) without raising the load.	<ol style="list-style-type: none"> 1. Inlet checks are not seating. 2. Damaged piston assembly or piston seals leaking, 	<ol style="list-style-type: none"> 1.* Check for dirt and/or reseat valve seats. 2. Damaged piston assembly or piston seals leaking.

PROBLEM	CAUSE	SOLUTION
Pump handle operates with a spongy action.	1. Air trapped in system. 2. Too much fluid in reservoir.	1. Position cylinder lower than pump. Extend and return cylinder several times. Follow bleeding instructions. 2. Check fluid level per instructions.
Pump handle effort drops significantly after some pressure has been obtained.	1. This is normal operation on most two-stage hand pumps.	

*Power Team recommends these hand pump repairs be performed by an Authorized Hydraulic Service Center.

SPX FLOW FACILITIES

Rockford, Illinois USA

Customer Service/Order Entry

Tel: +1 800 541 1418

Fax: +1 800 288 7031

Technical Services

Tel: + 1 800 477 8326

Fax: + 1 800 765 8326

info@powerteam.com

European Headquarters

Tel: +31 45 567 8877

Fax: +31 45 567 8878

infoeurope@powerteam.com

Shanghai, China

Tel: +86 21 2208 5888

Fax: +86 21 2208 5682

infochina@powerteam.com

Asia Pacific Headquarters

Tel: +65 6265 3343

Fax: +65 6265 6646

infoasia@powerteam.com

California Proposition 65 Warning

This product contains or may contain chemical(s)
known to the state of California to cause cancer
or other reproductive effects.



English Original

DECLARATION OF INCORPORATION OF PARTLY COMPLETED MACHINERY

We declare under our sole responsibility that our Hand-Pump Models:

62072,	201338-TID,	P157,
62087,	P12,	P157D,
64122,	P19,	P159,
64215,	P19L,	P159D,
64372,	P23,	P300,
66463,	P30F,	P300D,
64662,	P55,	P460,
64663,	P59,	P460D
YM-01,	P59L,	
	P59F,	

to which this declaration relates are in conformity with the following:

<u>EN, EN-ISO, ISO standards</u>	<u>Title</u>
Per the provisions of the Machinery Safety Directive	2006/42 EC
EN_ISO 12100:2011	Safety of machinery, basic concepts, general principles for design, risk assessment & risk reduction
EN 4413:2010	Hydraulic Fluid Power – general rules and safety requirements for systems & their components

We, the undersigned, hereby declare that the equipment specified above conforms to the above mentioned European Communities Directive(s) and Standard(s).

SPX Hydraulic Technologies
5885 11th Street
Rockford, IL 61109-3699
United States of America

This product is not to be put into service until the final machine into which it is to be incorporated has been declared in conformity with the provisions of these Directives, where appropriate.

SPX Hydraulic Technologies
Andreas J. Klemm
SPX Hydraulic Technologies
Albert Thijssstraat 12
NL-6471 WX Eygelshoven
The Netherlands

The Netherlands May 09, 2016

Andreas J. Klemm, Eng. & Ops. Site Leader