

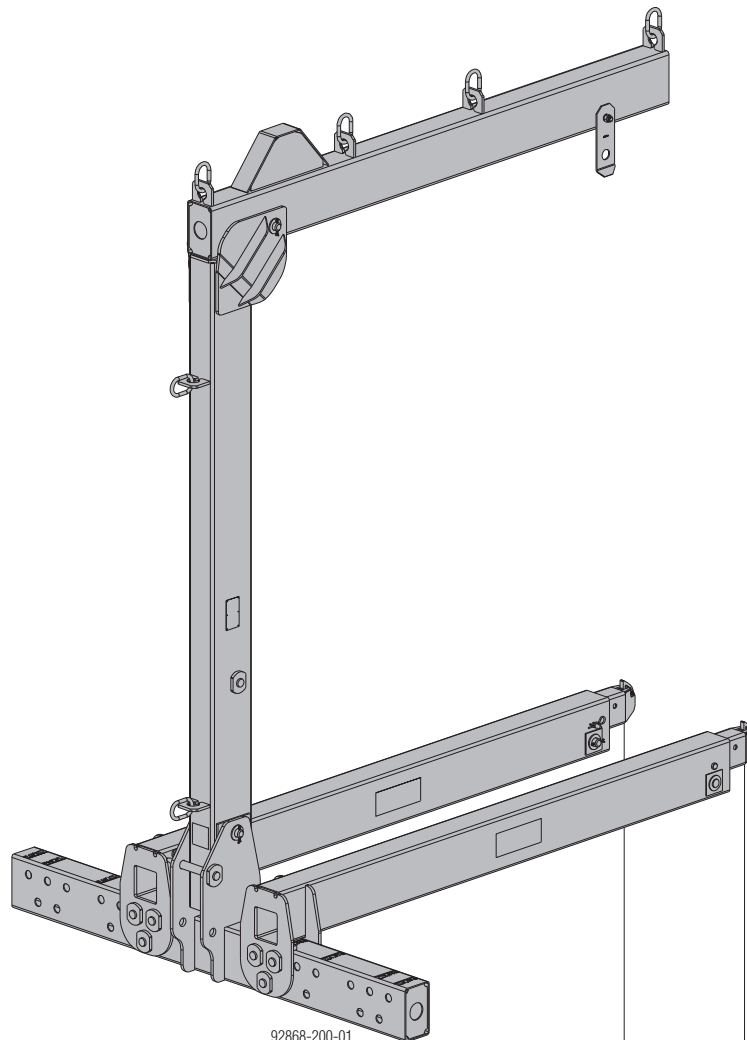
The Formwork Experts.

Transport fork 1.3t adjustable

Art. n°: 586234000, 586234500 | 2017 models onward

Original Operating Instructions

Please retain for future reference



92868-200-01

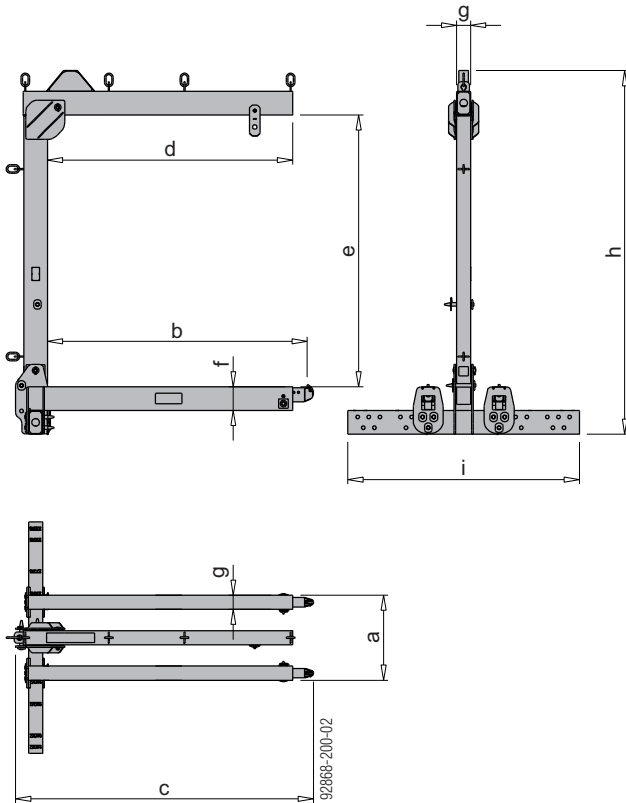
Contents

- 3 Product presentation
- 6 Offloading on the site
- 7 Assembly
- 9 Setting the transport fork
- 12 Additional precautions
- 13 Repositioning operation
- 15 Dismantling

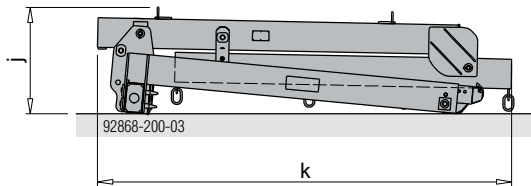
17 Component overview

- 18 Declaration of conformity

Product presentation



Delivery condition



- a ... 900, 1370, 2040 or 2270 mm
- b ... 2750, 3240, 3730 or 4220 mm
- c ... 3150, 3640, 4130 or 4620 mm
- d ... 2595 mm
- e ... 2876 mm
- f ... 250 mm
- g ... 150 mm
- h ... 3846 mm
- i ... 2450 mm
- j ... 905 mm
- k ... 3508 mm

Data on rating plate

Designation: Transport fork 1.3t adjustable,
 Transport fork 1.3t adjustable SN
 Dead weight: 750.0 kg (1655 lbs)
 Max. load: 1300 kg (2870 lbs)
 Art. n°: 586234000, 586234500
 Year of manufacture: see rating plate

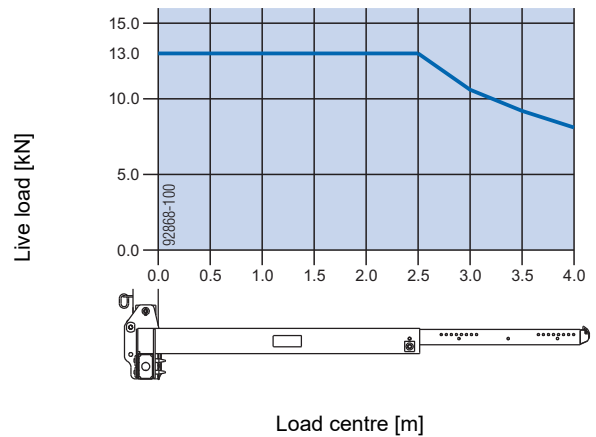


The following instructions **MUST** be followed every time the appliance is used:

1. For use with Doka products only.
2. When lifting and repositioning tables or platforms, be careful to ensure the correct centre-of-gravity position. Max. permitted eccentricity when fully loaded: ± 15 cm.
3. While the transport fork is being placed down on the ground, persons must stay well clear of the danger zone.
4. Additional safety measures are needed for special, custom table or platform constructions.

Permitted carrying capacity

Max. load: 1300 kg (2870 lbs)



Intended use

The 'Transport fork 1.3t adjustable' is a lifting accessory. It is designed to be used for repositioning Doka tableforms, Doka balcony tables and ParaTop platforms (intended use).



NOTICE

- Other use or use not in conformity with that stated above is non-intended use and requires the prior written approval of the Doka company!
- Repositioning tables or platforms of other manufacturers is prohibited!

Maintenance & inspection

- Repairs may only be carried out by the manufacturer!
- Doka accepts no liability for products that have been altered!

Before every use

- Check for any signs of damage or visible deformation.



Lifting accessories that do not meet the following criteria must be withdrawn from use immediately:

- Crack-free and notch-free welds.
- No deformation.
- The rating plate and all adhesive labels must be in place, and must be clearly legible.

At regular intervals

- Inspection of lifting accessories must be performed at regular intervals by an **expert** in conformity with **national statutory provisions**. Unless otherwise stipulated, such inspection must be carried out **at least once a year**.

Storage

- Store lifting accessories in a dry and well ventilated place, protected from the weather and from all corrosive substances.

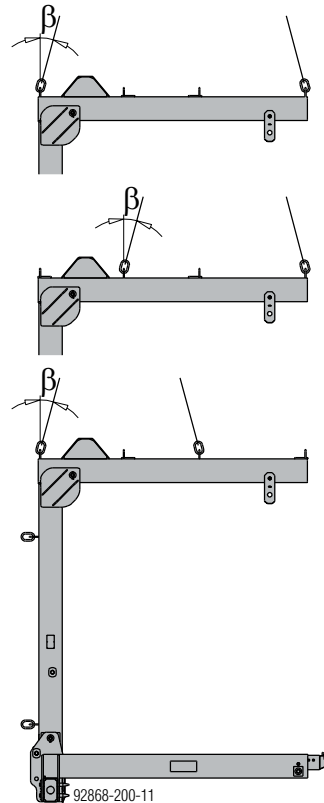
Selecting the lifting chain

Required capacity of the lifting chain:
3500 kg (using 2 chains, spread angle β up to 30°)

Note:

- The tableforms or platforms always have to be as nearly horizontal as possible for each repositioning operation.
- Of the 3 possible attachment possibilities, always select the one that is the most suitable for the load's centre of gravity.

Attachment possibilities for 2-part lifting chain:



β ... max. 30°



NOTICE

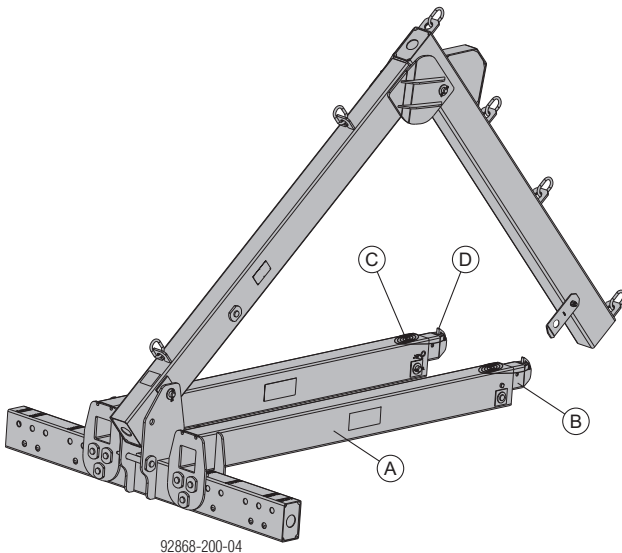
- The longer the lifting chain (2-part lifting chain), the more easily the transport fork will hang in the horizontal, both when under load and when not under load.
- Spread angle β max. 30°!
- Recommended length of lifting chain min. 3.0 m.



If the lifting height of the crane is not sufficient in the top storey, shorter lifting chains may be used, provided that the following points are observed.

- Spread angle β max. 30°!
- Use chains with adjustable lengths.

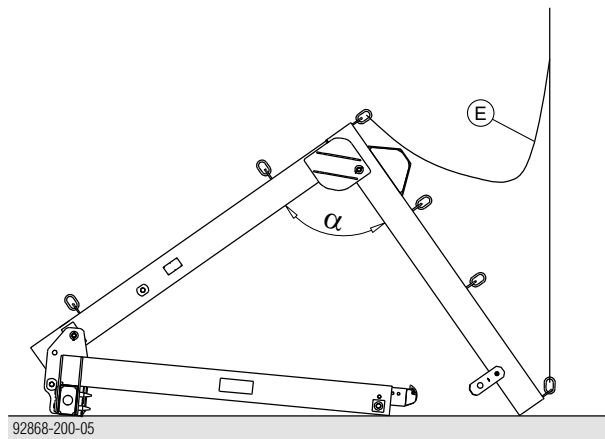
Functional description



- A** Fork profile (adjustable)
- B** Telescopic tube
- C** Tag-line d10/5000 mm
- D** Lever-latch

'Parked' position

Attaching/detaching the 2-part lifting chain is easy, as the bracket automatically tilts down into the parking position when it is placed on the ground.

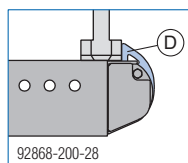


α ... min. 90°

- E** 2-part lifting chain

Lever-latch

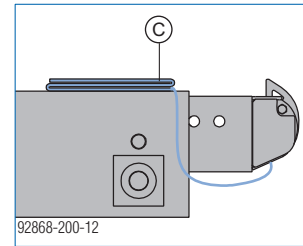
The lever-latch acts as an anti-slide-off guard when tableforms or platforms are being lifted.



- D** Lever-latch

Tag-lines

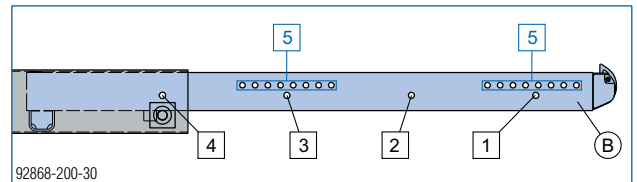
The tag-lines make it easier and safer to guide the transport fork when manoeuvring it under the table-forms or platforms.



- C** Tag-line d10/5000 mm

Telescopic tube

Extend the telescopic tubes to the length appropriate for the table or platform size and pin the tubes in position.



1,2,3,4 ... Pinning positions for setting the length of the forks
5 ... Pinning positions for Transport fork table fixing part 1.3t adj. (art. n° 586260000)

- B** Telescopic tube

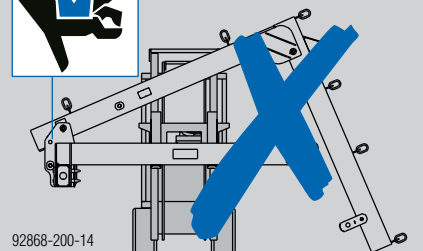
Possible operator error



CAUTION

Pinch point!

- ▶ He It is forbidden to raise the transport fork (e.g. by forklift truck or lifting slings) from underneath the fork profiles!



Offloading on the site



NOTICE

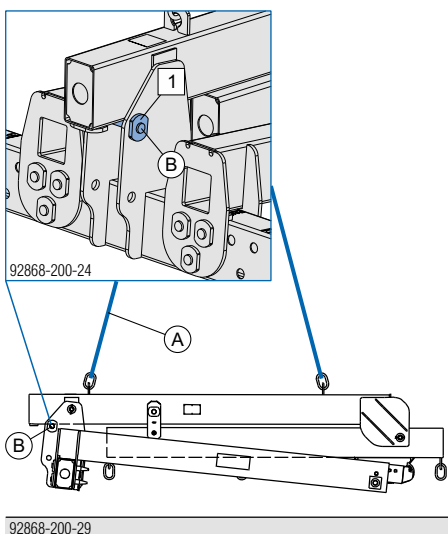
Make sure that the transport fork is in the centre-of-gravity position when it is being unloaded.

Using 2-part lifting chain

Note:

Fork-bolt must be pinned in position 1 (transport lock)!

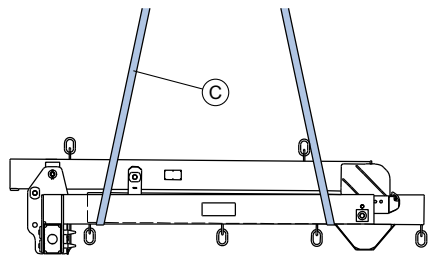
- Offload the transport fork from the truck using a crane and 2-part lifting chain.



- A 2-part lifting chain
- B D37 fork-bolt

Using the Dokamatic lifting strap 13.00m

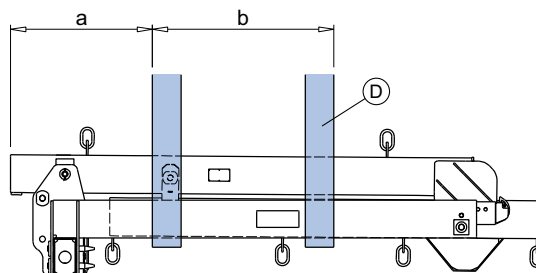
- Offload the transport fork from the truck using 2 Dokamatic lifting straps 13.00m.



- C Dokamatic lifting strap 13.00m

By forklift truck

- Offload the transport fork from the truck using a forklift truck.



92868-200-15

- a ... 900 mm
- b ... 1200 mm

- D Fork of the forklift truck

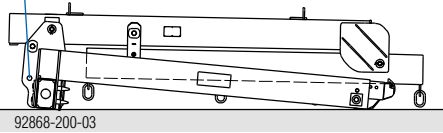
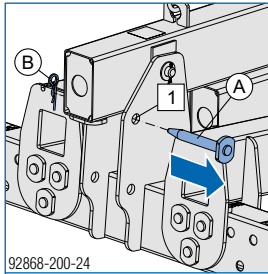
Assembly



WARNING

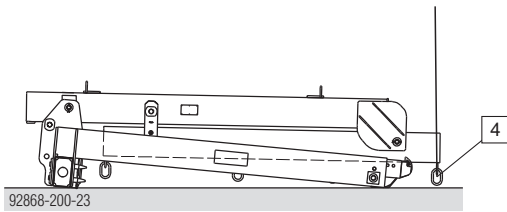
▶ During the crane operation, all persons must stay a safe distance away from the transport fork to avoid unsafe conditions and eliminate any hazards or exposure to injury!

- ▶ Set the fork down on level ground.
- ▶ Remove the D37 fork-bolt from Pos. 1.



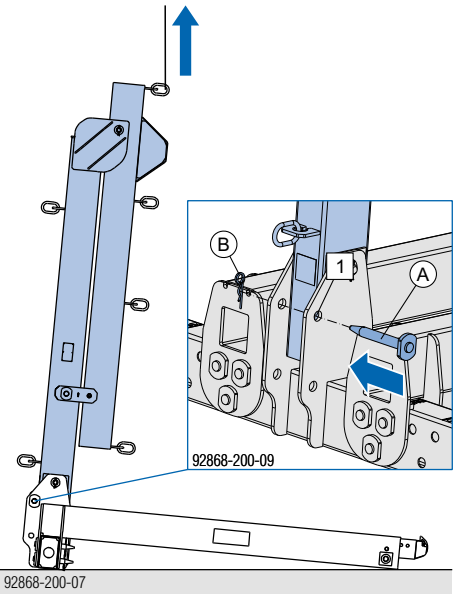
- A D37 fork-bolt
- B Spring cotter D6 with twin lug

- ▶ Hook the crane hook of the first strand of the 2-part lifting chain in at Pos. 4.



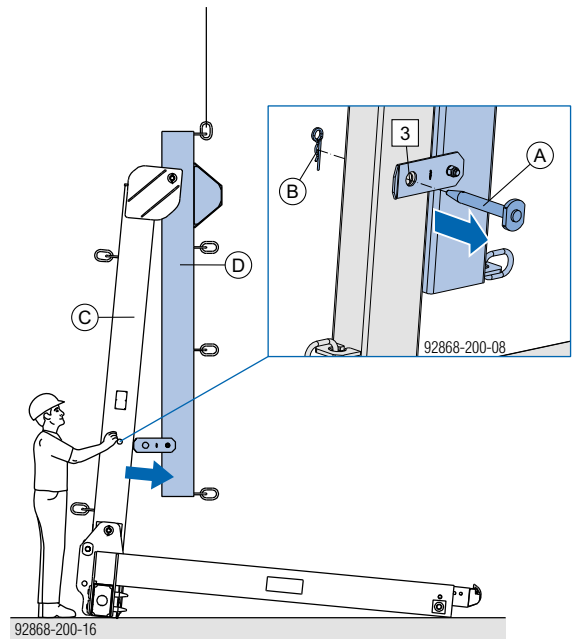
- ▶ Raise the lifting extension bracket by crane.

- ▶ Insert the D37 fork-bolt into Pos. 1 and fix it with a D6 spring cotter.



- A D37 fork-bolt
- B Spring cotter D6 with twin lug

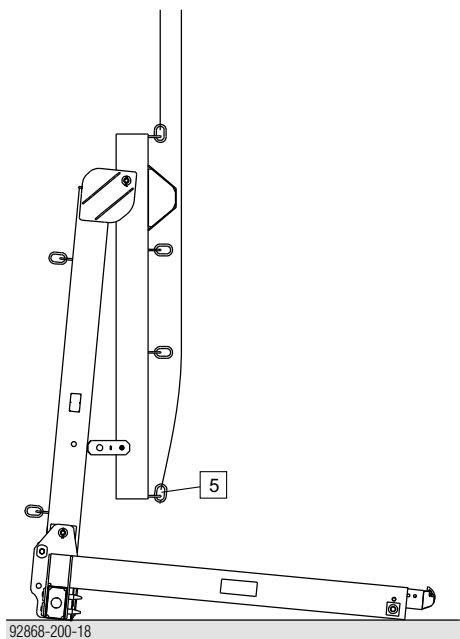
- ▶ Remove the D37 fork-bolt from Pos. 3.



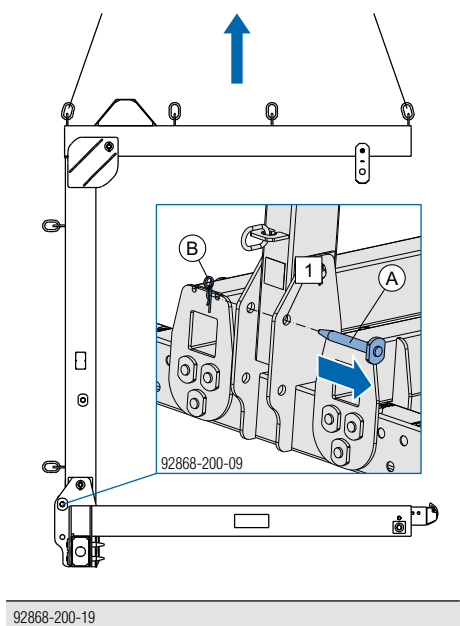
- A D37 fork-bolt
- B Spring cotter D6 with twin lug
- C Outer tube
- D Lifting extension-bracket tube

The lifting extension-bracket tube will now tilt towards the front.

- ▶ Push the D37 fork-bolt back into Pos. 3 on the upright tube, and fix it with a D6 spring cotter.
- ▶ Lower the lifting chain until the crane hook of the second strand is within reach.
- ▶ Hook the crane hook in at Pos. 5.

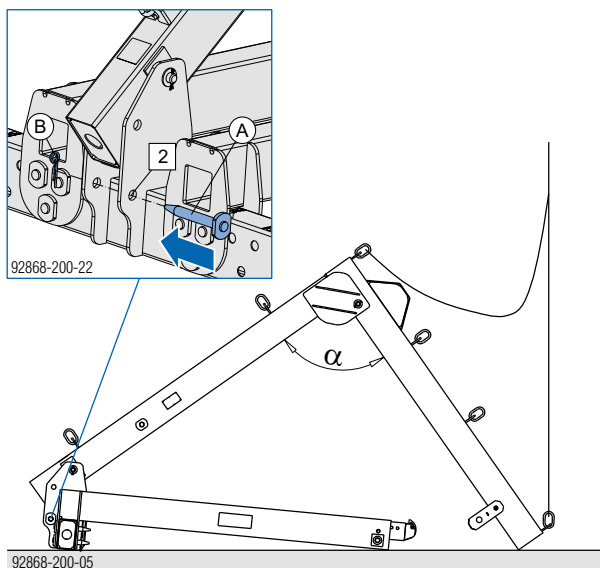


- ▶ Raise the entire transport fork by crane. The transport fork is now suspended above the ground.
- ▶ Remove the D37 fork-bolt from Pos. 1.



- A** D37 fork-bolt
- B** Spring cotter D6 with twin lug

- ▶ Set down the transport fork and carefully lower the lifting extension bracket into the 'Parked' position.
- ▶ Insert the D37 fork-bolt (previously removed from Pos. 1) into Pos. 2, and fix it with a D6 spring cotter.



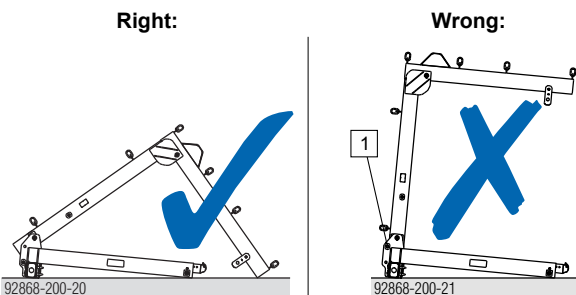
$\alpha \dots \text{min. } 90^\circ$

- A** D37 fork-bolt
- B** Spring cotter D6 with twin lug

- ▶ The transport fork is now ready for operation.

Note:

No fork-bolt is allowed in Pos. 1 at any time while the transport fork is in use!



Setting the transport fork



NOTICE

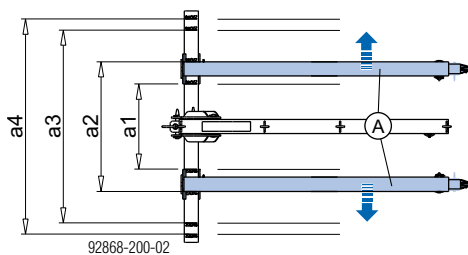
- Always adjust the fork profiles one at a time!
- The fork profiles must always be positioned symmetrically.
- The Transport fork 1.3t adjustable must be resting on level ground, with the lifting extension bracket in the 'Parked' position.

Setting the fork width

Note:

Required minimum width of the forks:

$\frac{1}{3}$ of the width of the table

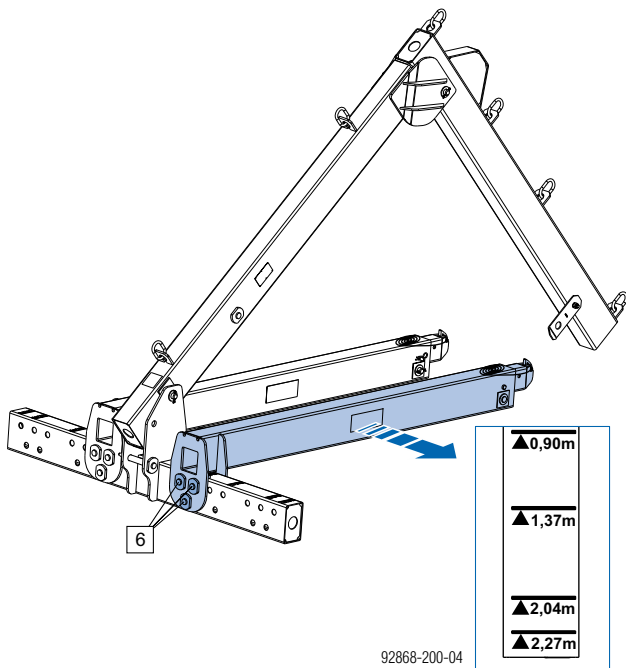


Fork widths a1 - a4

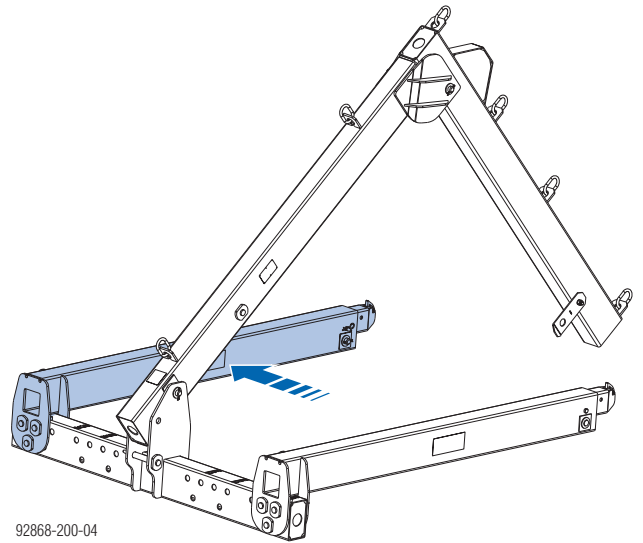
- a1 ... 900 mm
- a2 ... 1370 mm
- a3 ... 2040 mm
- a4 ... 2270 mm

A Fork profile

- ▶ Remove all three D37 fork-bolts from Pos. 6.
- ▶ Keeping the first fork profile parallel with the second fork profile, move it as far as the desired width-mark.
- ▶ Bolt all three D37 fork-bolts into Pos. 6, and fix with the D6 spring cotter.

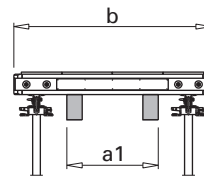


- ▶ Keeping the second fork profile parallel with the first, move it as far as the corresponding width-mark.

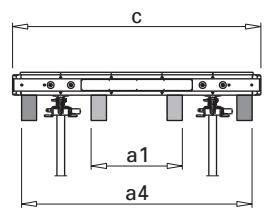


92868-200-04

Using with Dokaflex tables



9270-227-01



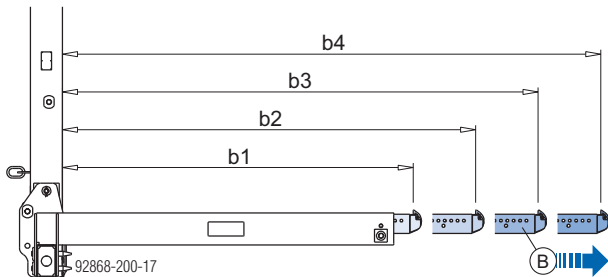
9270-228-01

- a1 ... 900 mm
- a4 ... 2270 mm
- b ... 1950 mm
- c ... 2450 mm

Setting the fork length

Note:

Required minimum length of the forks:
 $\frac{2}{3}$ of the length of the table

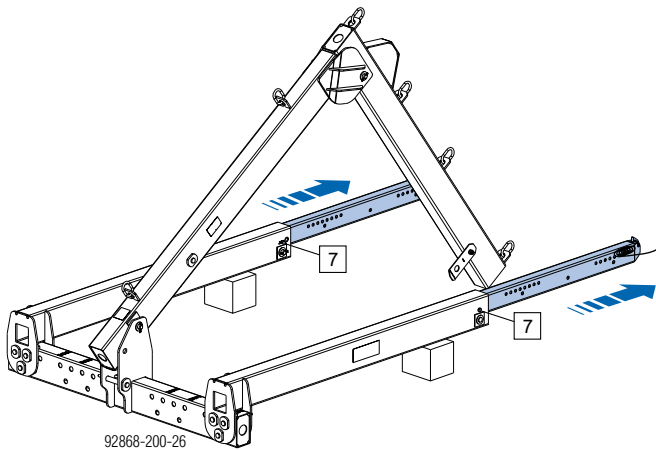


Fork lengths b1 - b4

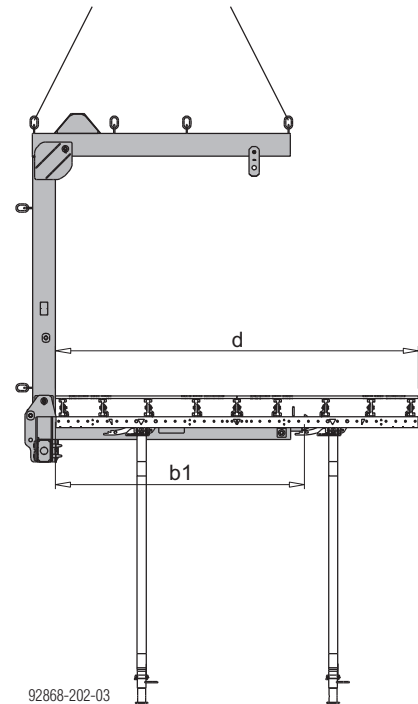
b1 ... 2750 mm
 b2 ... 3240 mm
 b3 ... 3730 mm
 b4 ... 4220 mm

B Telescopic tube

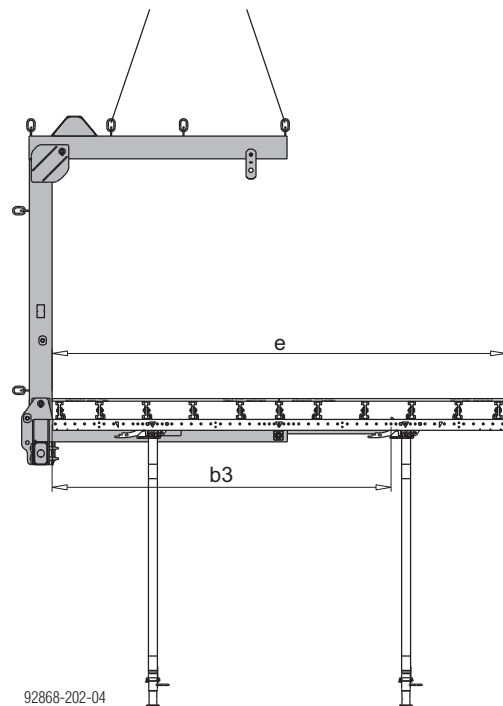
- Remove the D20 pin from Pos. 7.
- Extend the telescopic tubes to the required length.
- Push the D20 pin back into Pos. 7, and secure it with a Spring cotter 5mm.



Using with Dokaflex tables



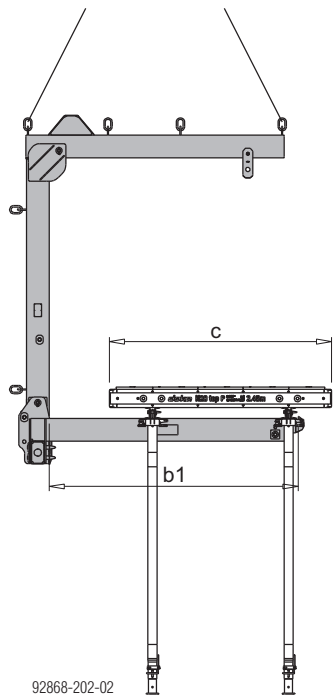
b1 ... 2750 mm
 d ... 4000 mm



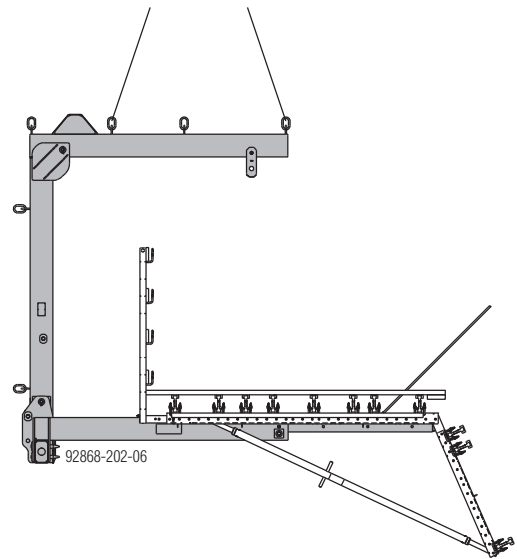
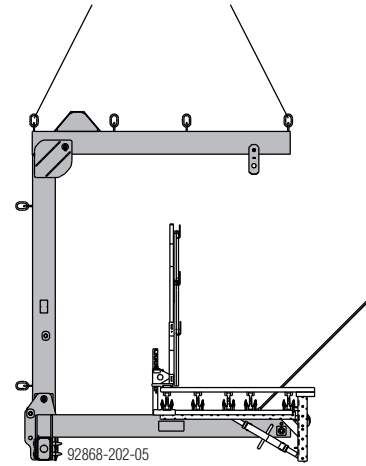
b3 ... 3730 mm
 e ... 5000 mm

**Dokamatic table placed across the direction of the fork
(e.g. balcony table):**

Using with ParaTop platforms



b_1 ... 2750 mm
 c ... 2450 mm

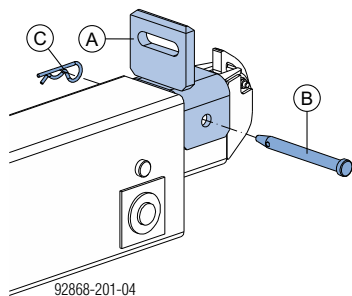


Additional precautions

Table fixing part

The Transport fork table fixing part 1.3t adj. is for securing tableforms placed across the direction of the fork (e.g. balcony table) for the repositioning operation.

- Position the table fixing parts on the transport fork, pin each of them with a D20 pin and secure each pin with a spring cotter.

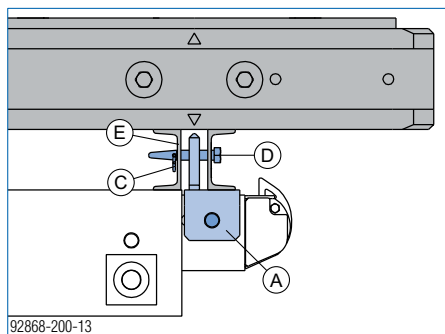


A Transport-fork table-fixing part 1.3t adj.
(Art. n° 586260000)

B Pin D20

C Spring cotter 5mm

- Move the transport fork in underneath the table and position the table fixing part in the table waling.
- Pin each table fixing part to the table waling with a Connecting pin 10cm and secure this with a spring cotter.



A Transport-fork table-fixing part 1.3t adj.
(Art. n° 586260000)

C Spring cotter 5mm

D Connecting pin 10cm

E Table waling



NOTICE

After table set-down:

- Do not further lower the secured transport fork!
- First remove the connecting pins between the table fixing parts and table walings, then lower the transport fork!

Repositioning operation



WARNING

Risk of intermediate props dropping out when table is lifted

- ▶ Intermediate props with a Supporting head H20 DF, and props that are only secured against tipping over, must be **removed** before the table is lifted.
- ▶ Intermediate props that are attached by an **Intermediate head DF** and are not dis-mounted must be pulled in sufficiently far.



WARNING

- ▶ 'Passenger transportation' is forbidden!
- ▶ Before repositioning the tableform, remove any loose items (e.g. fitting boards) from it.
- ▶ Check the connections between the floor props and the tableform before repositioning it.
- ▶ Before lifting, fix the floor props with the fastening clamps.



WARNING

- ▶ During the crane operation, all persons must stay a safe distance away from the transport fork to avoid unsafe conditions and eliminate any hazards or exposure to injury!

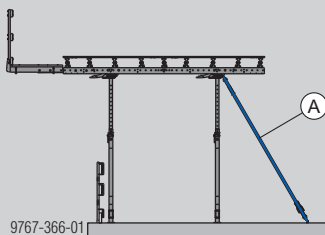


CAUTION

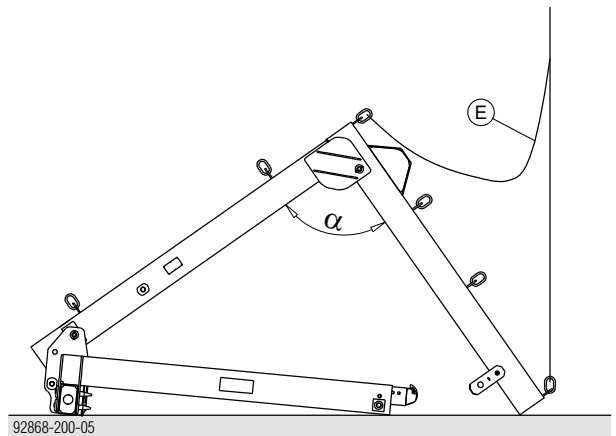
Risk of edge tables toppling over!

(due to cantilevering platforms, edge props that have been relocated towards the inside, stop-end formworks, downstand beams)

- ▶ Secure all edge tables **by tying back (A)** every primary beam in the inner cantilever zone of the table.
- ▶ Do not release the table from the shifting device until tie-backs are fixed to prevent tip-over.
- ▶ Also applies when setting down tables or putting them into temporary storage.



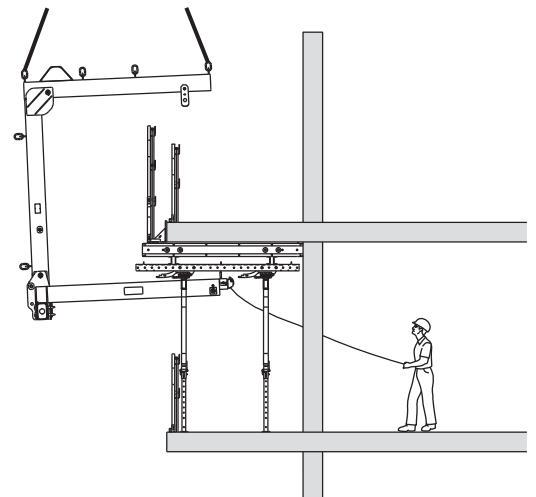
- ▶ Attach the lifting chain to the transport fork.



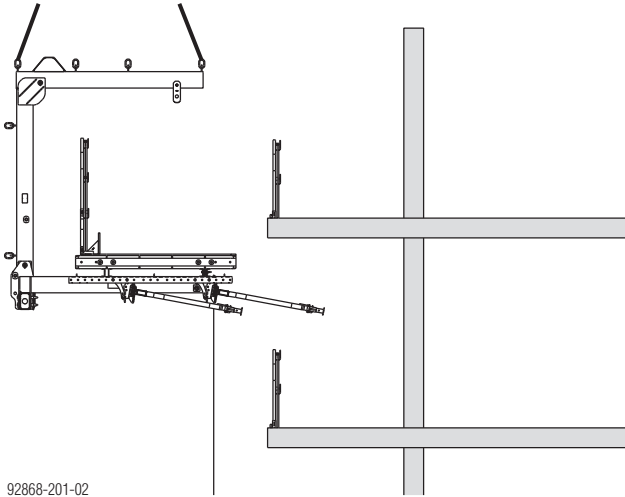
α ... min. 90°

E 2-part lifting chain

- ▶ Raise the transport fork by crane.
- ▶ Manoeuvre the transport fork under the table.
- ▶ As necessary, secure the table to the transport fork with table fixing parts.



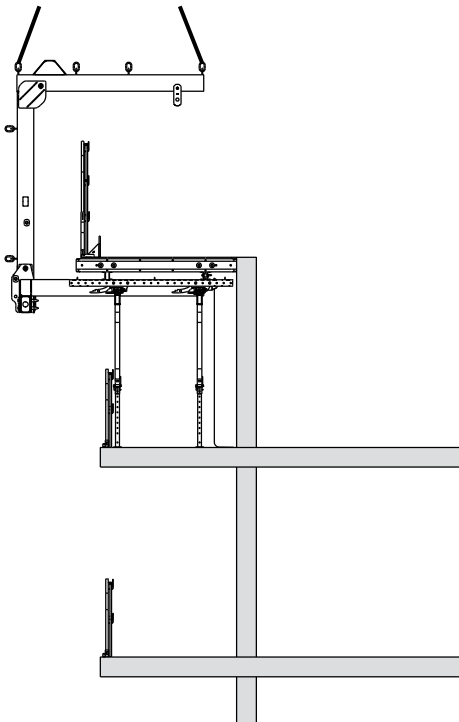
- ▶ Pick up the table with the transport fork, move it out and lift it.



92868-201-02

**WARNING**

- ▶ Check the connections between the floor props and the tableform before setting it down.
 - ▶ Before setting the table down, check whether the floor props have been fixed with the fastening clamps.
- ▶ Set the table down at its new location.



92868-201-03

- ▶ Secure the table so that it cannot tip over.
- ▶ Table fixing part in use: Remove the connecting pins between table fixing parts and table.
- ▶ Lower the transport fork and move it clear.

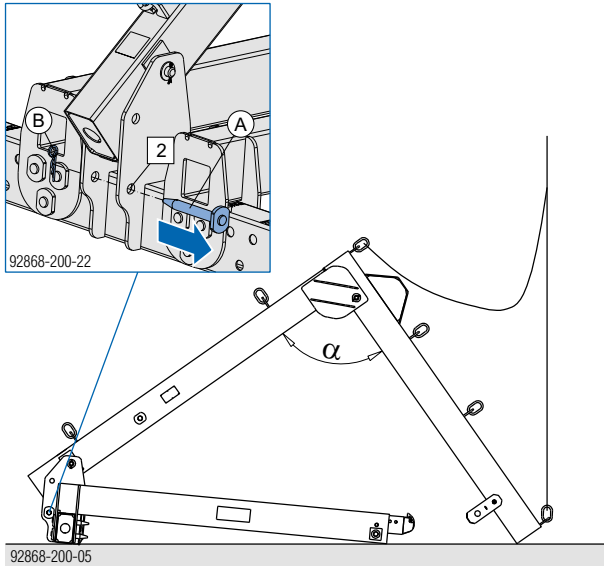
Dismantling



WARNING

▶ During the crane operation, all persons must stay a safe distance away from the transport fork to avoid unsafe conditions and eliminate any hazards or exposure to injury!

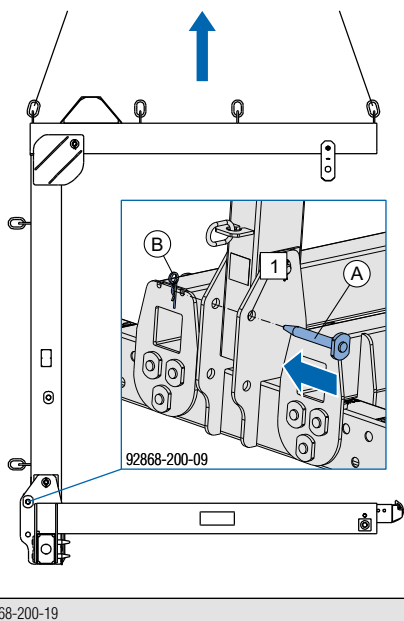
- ▶ Attach the crane suspension tackle to the transport fork.
- ▶ Remove the D37 fork-bolt from Pos. 2.



α ... min. 90°

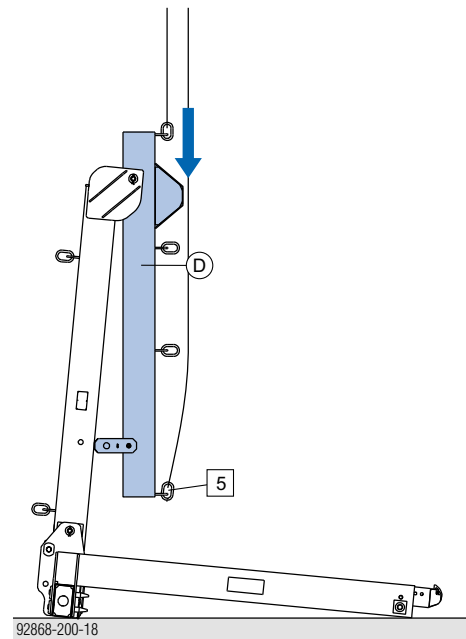
- A D37 fork-bolt
- B Spring cotter D6 with twin lug

- ▶ Raise the entire transport fork by crane. The transport fork is now suspended above the ground.
- ▶ Insert the D37 fork-bolt (previously removed from Pos. 2) into Pos. 1, and fix it with a D6 spring cotter.



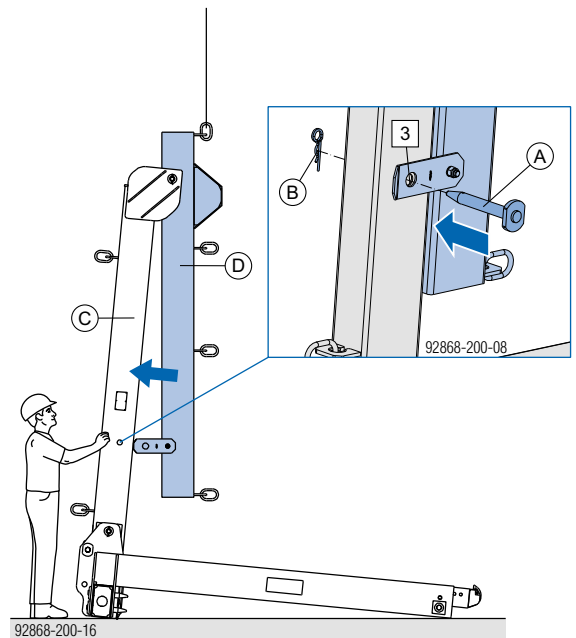
- A D37 fork-bolt
- B Spring cotter D6 with twin lug

- ▶ Set the fork down on level ground.
- ▶ Lower the lifting extension-bracket tube.
- ▶ Lower the lifting chain until the crane hook of the second strand can be detached from Pos. 5.



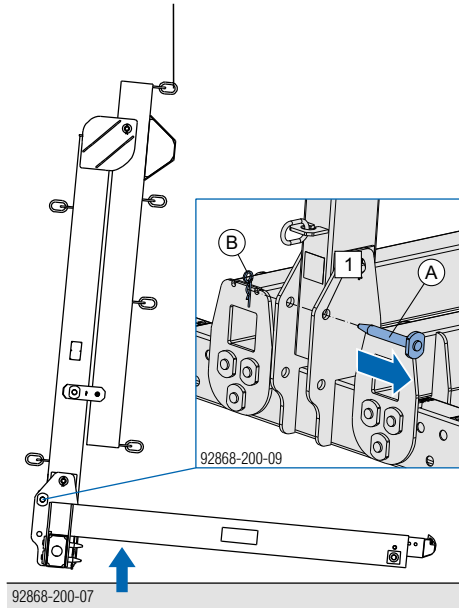
D Lifting extension-bracket tube

- ▶ Remove the D37 fork-bolt from Pos. 3.
- ▶ Connect the lifting extension-bracket tube to the upright tube, insert the D37 fork-bolt back into Pos. 3 and fix it with the D6 spring cotter.



- A D37 fork-bolt
- B Spring cotter D6 with twin lug
- C Outer tube
- D Lifting extension-bracket tube

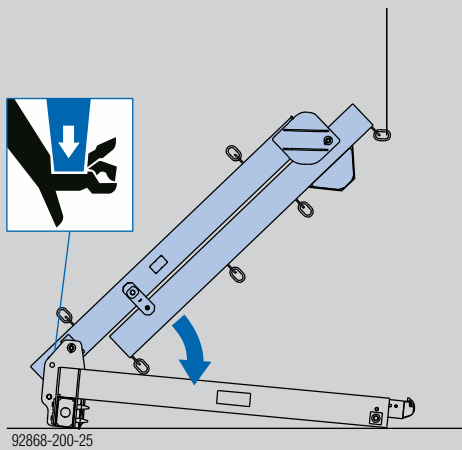
- ▶ Slightly raise the entire transport fork to take the load off the D37 fork-bolt.
- ▶ Remove the D37 fork-bolt from Pos. 1.



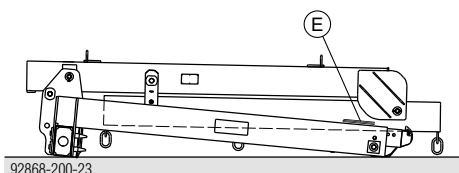
- A** D37 fork-bolt
- B** Spring cotter D6 with twin lug

- ▶ Set the fork down on level ground.

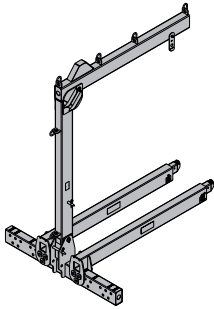
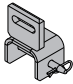
CAUTION
Danger of crushing!
 ▶ Mind your hands!






- ▶ Lower the lifting extension bracket to the ground by crane.
- ▶ Insert the D37 fork-bolt into Pos. 1 as a transport lock, and fix it with the D6 spring cotter.
- ▶ Detach the crane hook.
- ▶ Bundle the tag-lines together so that they can be transported safely.



- E** Tag-lines d10/5000 mm

	[kg]	Article n°	[kg]	Article n°
Transport fork 1.3t adjustable Transport fork DM 1.3t adjustable SN Umsetzgabel 1,3t verstellbar	731.0 750.0	586234000 586234500		
 <p>Galvanised Delivery condition: folded closed Follow the directions in the "Operating Instructions"!</p>		CE		
Transport-fork table-fixing part 1.3t adj. Tischfixierung Umsetzgabel 1,3t verstellbar	5.0	586260000		
 <p>Galvanised Width: 21 cm Height: 21 cm</p>				

Declaration of conformity

 EC Declaration of Conformity pursuant to EC Directive 2006/42/EC.	
The manufacturer declares that by reason of its conception and design, the following product Transport fork 1.3t adjustable, art. n° 586234000 Transport fork 1.3t adjustable SN, art. n° 586234500 conforms – in the version marketed by ourselves – to the pertinent fundamental health and safety stipulations of the relevant EC Directives.	
The following harmonised standards were applied: <ul style="list-style-type: none"> ▪ EN ISO 12100:2010 ▪ EN 13155:2009 	
Person authorised to compile technical documentation (pursuant to European Directive on Machinery Annex II): Dipl.-Ing. Ludwig Pekarek Josef Umdasch Platz 1 A-3300 Amstetten	
Amstetten, 20/08/2018	Doka GmbH Josef Umdasch Platz 1 A-3300 Amstetten
 	
Dipl.-Ing. Ludwig Pekarek Executive Manager	Dipl.-Ing. Peter Reisinger Authorised Officer, Head of Engineering