

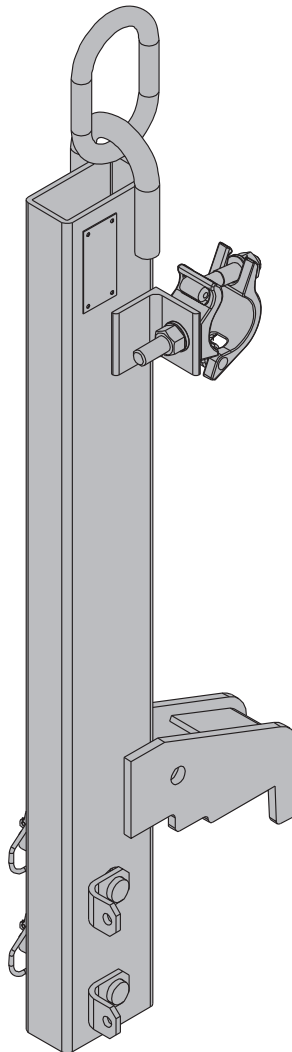
The Formwork Experts.

Xsafe plus lifting waler

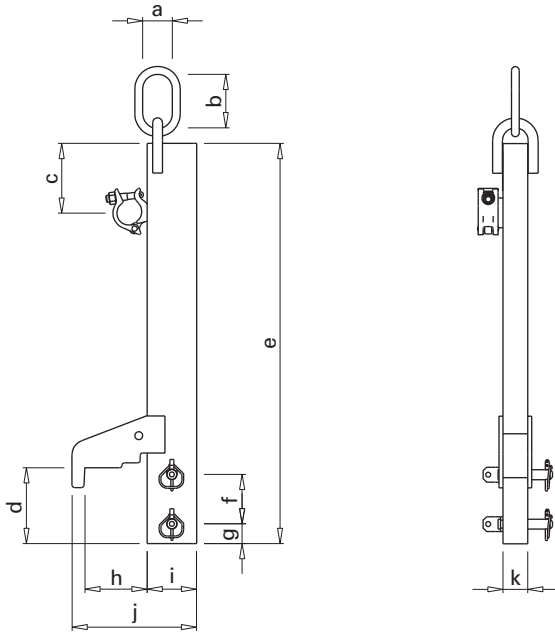
Art. n°: 586417000 | 2010 models onward

Original Operating Instructions

Please retain for future reference



Product presentation



- a ... 60 mm
- b ... 110 mm
- c ... 140 mm
- d ... 154 mm
- e ... 810 mm
- f ... 100 mm
- g ... 40 mm
- h ... 126 mm
- i ... 100 mm
- j ... 252 mm
- k ... 50 mm

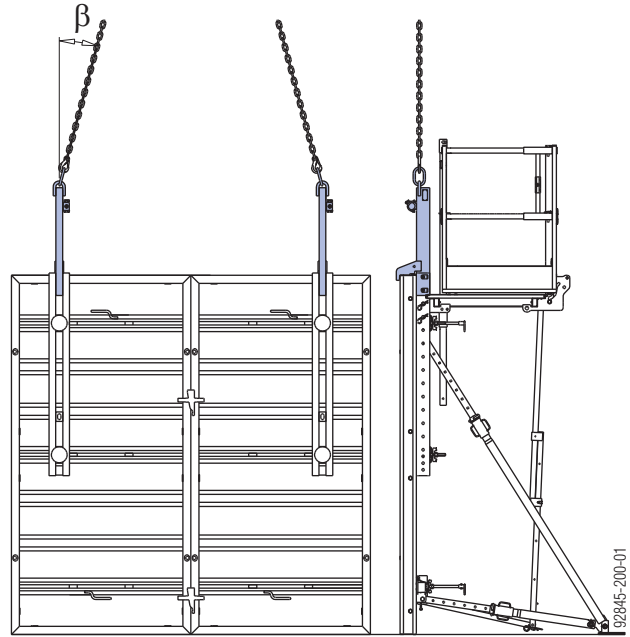
Data on rating plate

Designation: Xsafe plus lifting waler
 Art. n°: 586417000
 Dead weight: 14.0 kg (30.9 lbs)
 Max. load-bearing capacity:
 1750 kg (3860 lbs) at max. 15° spread angle β
 Year of manufacture: see rating plate



Intended use

The Xsafe plus lifting waler is a lifting accessory. It is for repositioning Framax Xlife gang-forms that have been fitted out with the Platform system Xsafe plus (intended use).



Max. load-bearing capacity:

Spread angle β up to 15°: 1750 kg per lifting waler
 Spread angle β up to 30°: 800 kg per lifting waler



NOTICE

- Other use or use not in conformity with that stated above is non-intended use and requires the prior written approval of the Doka company!
- It is forbidden to lift other manufacturers' panels with it.

Maintenance & inspection

- Repairs may only be carried out by the manufacturer!
- Doka accepts no liability for products that have been altered!

Before every use

- Check for any signs of damage or visible deformation.



Lifting accessories that do not meet the following criteria must be withdrawn from use immediately:

- No deformation.
- No cracks or notches.
- No damage due to the influence of heat.
- Rating plate must be in place and clearly legible

At regular intervals

- Inspection of lifting accessories must be performed at regular intervals by an **expert** in conformity with **national statutory provisions**. Unless otherwise stipulated, such inspection must be carried out **at least once a year**.

Storage

- Store lifting accessories in a dry and well ventilated place, protected from the weather and from all corrosive substances.

Operating the lifting waler

- Operation** of the lifting waler is permitted **only when the platform railings are closed on all sides**.
- Suspend the gang-form symmetrically (centre-of-gravity position).



NOTICE

Always use a long-enough lifting chain that has sufficient carrying capacity.



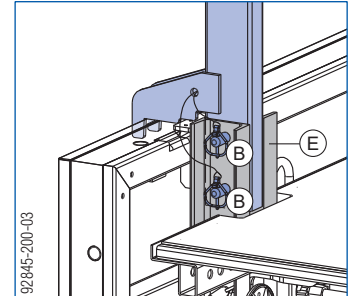
Follow the directions given in the instruction manuals for the lifting chain that is being used.

- Pin the Xsafe plus lifting waler to the Xsafe plus platform waling with both pins, and secure these with linch pins.

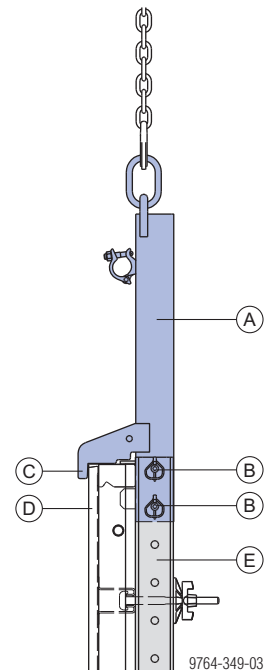
The connection plate must reach down over the Xlife sheet.



Before crane-lifting the gang-form, check that the lifting waler is correctly secured to the platform waling (**2 pins**, each secured by a **linch pin**)



- Attach the crane lifting tackle to the Xsafe plus lifting walers.



- A Xsafe plus lifting waler
- B Bolt + linch pin of the Xsafe plus lifting waler
- C Connection plate of the Xsafe plus lifting waler
- D Xlife sheet of the Framax Xlife panel
- E Xsafe plus platform waling 1.50m

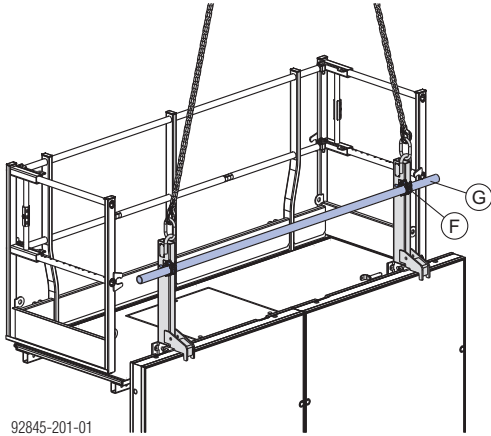
Gang-forms larger than 15 m²



NOTICE

Gang-forms **larger than 15 m²** (approx. 1600 kg) require a **pressure bracing** (Scaffold tube 48.3mm) to be fitted between the lifting walers.

The couplers needed for this are integrated onto the lifting waler.



92845-201-01

F Integrated coupler on Xsafe plus lifting waler

G Scaffold tube 48.3mm

Note:

Required tightening torque of the couplers: 50 Nm



NOTICE

Always use a long-enough lifting chain that has sufficient carrying capacity.

Striking and repositioning the panels

Before lifting: Remove any loose items from the formwork and platforms, or secure them firmly.



WARNING

The formwork tends to adhere to the concrete. When stripping the formwork, do not try to break concrete cohesion using the crane!

Risk of crane overload.

► Use suitable tools such as timber wedges or a special pry-bar to detach the formwork from the concrete.

► Lift the gang-form to its new location (guide with taglines if necessary).

Declaration of conformity



EC Declaration of Conformity
pursuant to EC Directive 2006/42/EC.

The manufacturer declares that by reason of its conception and design, the following product

Xsafe plus lifting waler, art. n° 586417000

conforms – in the version marketed by ourselves – to the pertinent fundamental health and safety stipulations of the relevant EC Directives.

The following harmonised standards were applied:

- EN ISO 12100:2010
- EN 13155:2009

Person authorised to compile technical documentation (pursuant to European Directive on Machinery Annex II):

Ing. Johann Peneder
Josef Umdasch Platz 1
A-3300 Amstetten

Amstetten, 11/10/2016

Doka GmbH
Josef Umdasch Platz 1
A-3300 Amstetten

Dipl.-Ing. Ludwig Pekarek
Executive Manager

Johann Peneder
Authorised Officer, Head of R&D