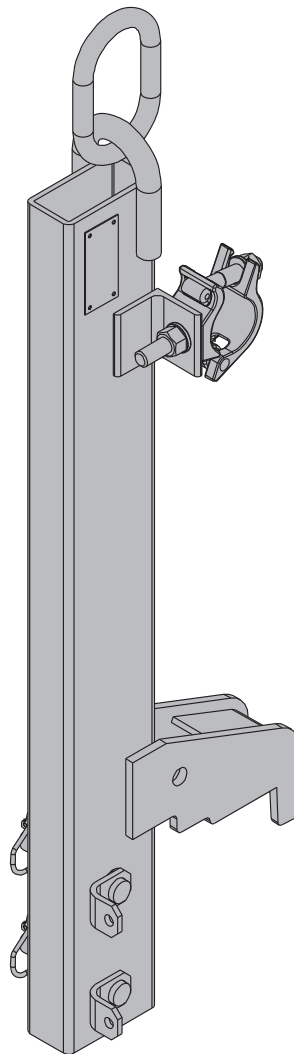


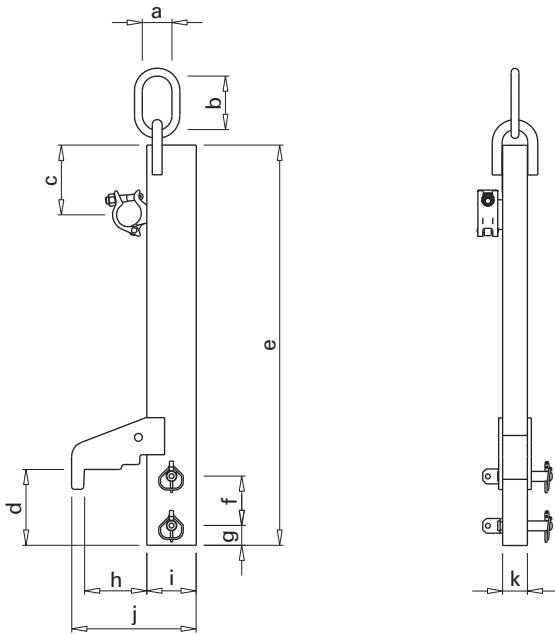
# Xsafe plus lifting waler

**Art.n° 586417000**

**2010 models onward**



## Basic drawings of product



- a ... 60 mm
- b ... 110 mm
- c ... 140 mm
- d ... 154 mm
- e ... 810 mm
- f ... 100 mm
- g ... 40 mm
- h ... 126 mm
- i ... 100 mm
- j ... 252 mm
- k ... 50 mm

### Data on rating plate

Doka Industrie GmbH, A-3300 Amstetten

Designation: Xsafe plus lifting waler

Art.n°: 586417000

Dead weight: 14.0 kg

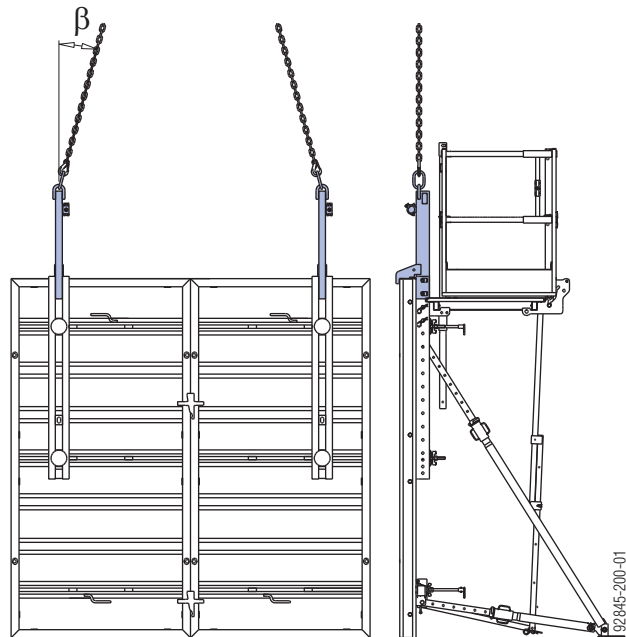
Max. load: 1750 kg where  
spread-angle  $\beta$  is max. 15°

Year of manufacture: see rating plate



## Use for the designated purpose only:

The Xsafe plus lifting waler is a lifting accessory. It may only be used for lifting and resetting Framax Xlife gang-forms that have been fitted out with the Platform system Xsafe plus.



### Max. load:

Spread-angle  $\beta$  up to 15°: 1750 kg per lifting waler

Spread-angle  $\beta$  up to 30°: 800 kg per lifting waler



### Important note:

- It is forbidden to use the product for anything but its intended purpose!
- It is forbidden to lift other manufacturers' panels with it.
- Never make any modifications to the product in an attempt to make it useable for other applications.
- Repairs may only be carried out by the manufacturer!
- Only original Doka components may be used as spare parts. Repairs may only be carried out by the manufacturer or authorised facilities.
- Store lifting accessories in a dry and well ventilated place, protected from the weather and from all corrosive substances.
- Load-carrying equipment must be inspected once a year by an expert.

## Before every use

- ▶ Check for any signs of damage or visible deformation.
- ▶ Damaged or deformed lifting walers that do not meet the following criteria must be withdrawn from use immediately.



- On the lifting accessory, there must not be any signs of damage which could impair its safety and correct functioning (e.g. fractures, notches, cracking, cuts, wear-and-tear, deformation, damage due to the impact of heat, etc).
- Rating plate must be in place and clearly legible

## Operating the lifting waler

- It is **only allowed to operate the lifting waler** when the platform railings are **in place on all sides**.
- Suspend the gang-form symmetrically (centre-of-gravity position).



Always use a long-enough lifting chain that has sufficient carrying capacity.



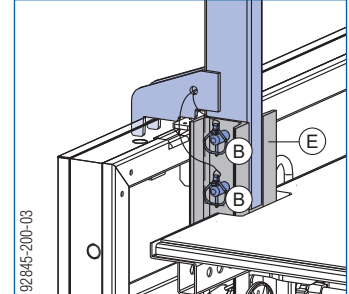
Follow the directions given in the instruction manuals for the lifting chain that is being used.

- 1) Bolt the Xsafe plus lifting waler into the Xsafe plus platform waling with **both bolts**, and secure these with linch pins.

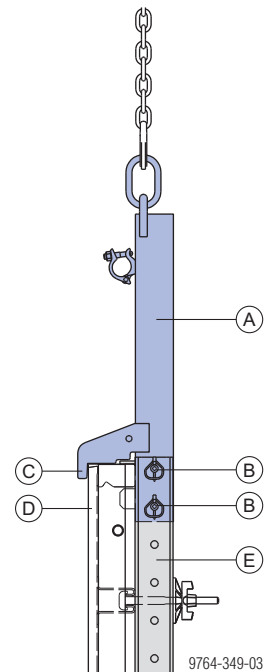
The connection plate must reach down over the Xlife sheet.



- Before crane-lifting the gang-form, check that the lifting waler has been correctly mounted to the platform waling (**2 bolts**, each secured by a **linch pin**).




- 2) Attach the lifting chain to the Xsafe plus lifting walers.

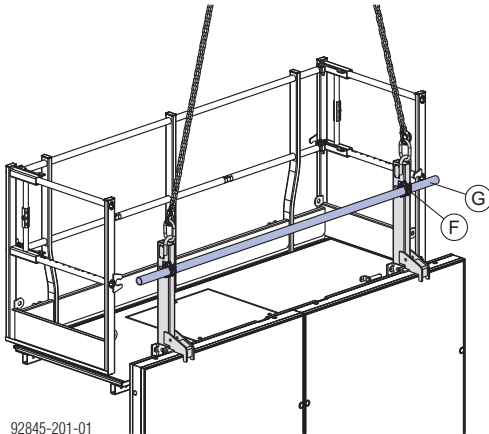


- A Xsafe plus lifting waler
- B Bolt + linch pin of the Xsafe plus lifting waler
- C Connection plate of the Xsafe plus lifting waler
- D Xlife sheet of the Framax Xlife panel
- E Xsafe plus platform waling 1.50m

## Gang-forms larger than 15 m<sup>2</sup>

 Gang-forms larger than **15 m<sup>2</sup>** (approx. 1600 kg) require a **pressure bracing** (Scaffold tube 48.3mm) to be fitted between the lifting walers.

The couplers needed for this are integrated onto the lifting waler.




92845-201-01

**F** Integrated coupler on Xsafe plus lifting waler

**G** Scaffold tube 48.3mm

### Note:

Required tightening torque of the couplers: 50 Nm

 Always use a long-enough lifting chain that has sufficient carrying capacity.

## Striking and repositioning the panels

**Before lifting:** Remove any loose items from the formwork and platforms, or secure them firmly.



### WARNING

The formwork tends to adhere to the concrete. When stripping the formwork, do not try to break concrete cohesion using the crane!  
Risk of crane overload.

➤ Use suitable tools such as timber wedges or a special pry-bar to detach the formwork from the concrete.

➤ Lift the gang-form to its new location (guide with taglines if necessary).

CE

## EC Declaration of Conformity

pursuant to EC Directive 2006/42/EC.

The manufacturer declares that by reason of its conception and design, the following product

**Xsafe plus lifting waler, Art.n° 586417000**

conforms – in the version marketed by ourselves – to the pertinent fundamental health and safety stipulations of the relevant EC Directives.

**The following harmonized Standards were applied:**

- EN ISO 12100-1:2009
- EN ISO 12100-2:2009
- EN 13155:2009

**Person authorised to compile technical documentation (pursuant to European Directive on Machinery Annex II):**

Ing. Johann Peneder  
Josef Umdasch Platz 1  
A-3300 Amstetten

Amstetten, 9th Feb. 2010

Doka Industrie GmbH  
Josef Umdasch Platz 1  
A-3300 Amstetten

Ludwig Pekarek,  
Executive Manager

Johann Peneder, Authorised  
Officer, Head of Product and  
Service Development

© by Doka Industrie GmbH, A-3300 Amstetten