

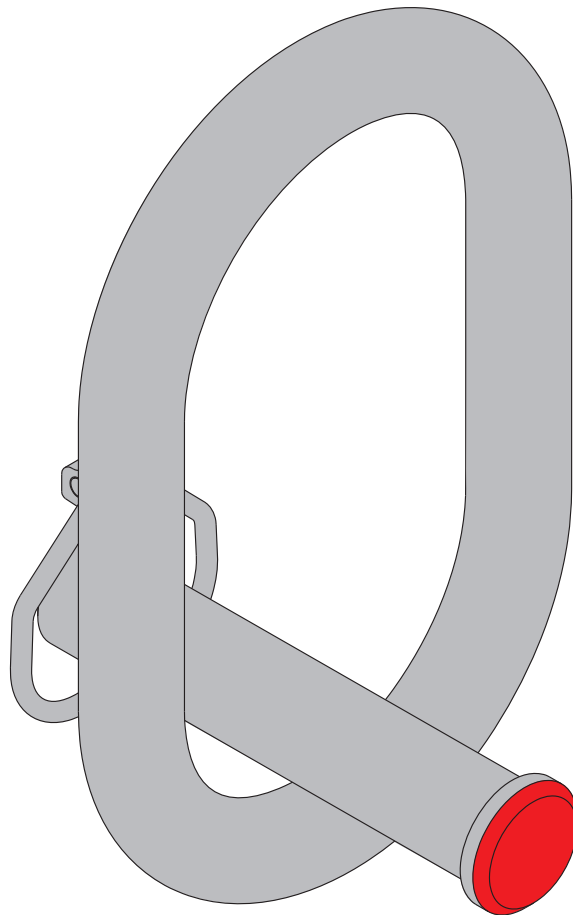
The Formwork Experts.

Lifting set Xclimb 60

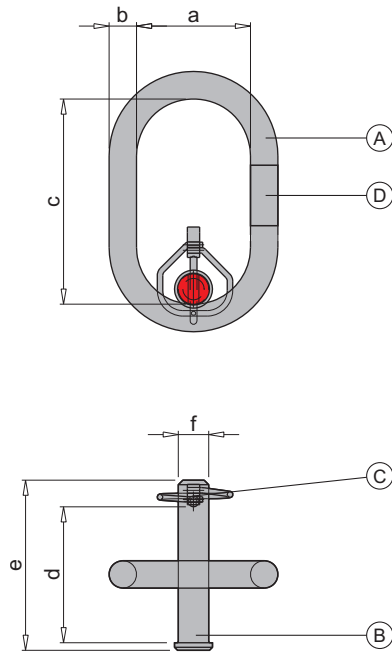
Art. n°: 581387000 | 2008 models onward

Original Operating Instructions

Please retain for future reference



Product presentation



a ... 75 mm
 b ... \varnothing 18 mm
 c ... 135 mm
 d ... 90 mm
 e ... 112 mm
 f ... \varnothing 20 mm

- A** Link A18
- B** Fastening bolt D20/112
- C** Linch pin 6x42
- D** Identification mark

Note:

Before 05/2017, instead of an identification mark on chainlink A18 there was a tag showing the load rating attached to this link.

Intended use

The Lifting set Xclimb 60 is a lifting accessory that may **ONLY** be used in conjunction with the **Fastening bolt D20/112** that is supplied with the product, and **ONLY** in the **Travelling gear SK 0.95m**.

The Lifting set Xclimb 60 is used for lifting units of Automatic climbing formwork Xclimb 60 and Guided climbing formwork Xclimb 60 (intended use).



NOTICE

- Other use or use not in conformity with that stated above is non-intended use and requires the prior written approval of the Doka company!
- The lifting accessory may only be used by experienced, trained personnel ('crane slingers').



Follow the directions in the 'Automatic climbing formwork Xclimb 60' and 'Guided climbing formwork Xclimb 60' User Information booklets!

Max. load-bearing capacity:
 3150 kg (6940 lbs) per Lifting set Xclimb 60

Maintenance & inspection

- Repairs may only be carried out by the manufacturer!
- Doka accepts no liability for products that have been altered!

Before every use

- ▶ Check for any signs of damage or visible deformation.



Lifting accessories that do not meet the following criteria must be withdrawn from use immediately:

- No deformation.
- No cracks or notches.
- No damage due to the influence of heat.
- Either the identification mark on chainlink A18 must be clearly legible or the tag showing the load rating must be attached and clearly legible.

At regular intervals

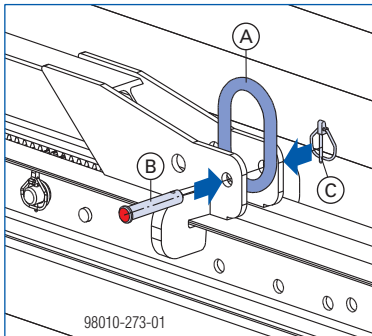
- Inspection of lifting accessories must be performed at regular intervals by an **expert** in conformity with **national statutory provisions**. Unless otherwise stipulated, such inspection must be carried out **at least once a year**.

Storage

- Store lifting accessories in a dry and well ventilated place, protected from the weather and from all corrosive substances.

Assembly

- Mount the Lifting set Xclimb 60 in the position shown here, and secure with 6x42 linch pins.



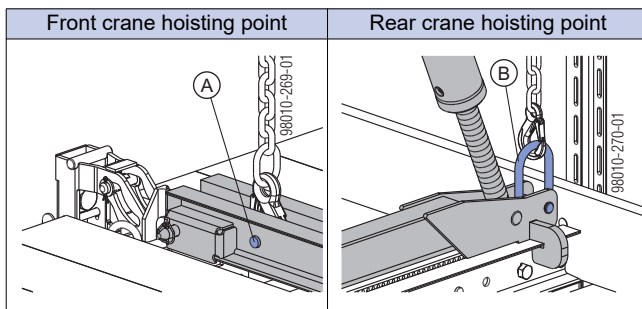
- A Chainlink A18
- B Fastening bolt d20/112
- C Linch pin 6x42

Permitted crane-hoisting points

- Attach lifting chains to the front and rear crane hoisting points.



Before every lifting operation, check to make sure that all bolted connections have been secured, and that the fixing-wedges of the traveller units have been firmly driven in!



- A Bolt in Horizontal profile Xclimb 60 2.45m
- B Lifting set Xclimb 60



NOTICE

Do not run the Lifting set Xclimb 60 over sharp edges without taking suitable precautions, and avoid knocks and impacts which could overload it.

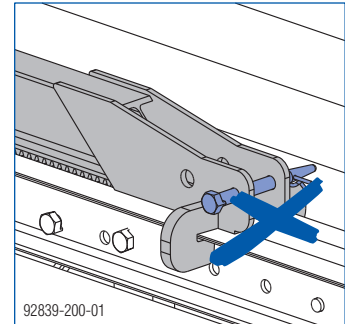
Possible incorrect usages



NOTICE

It is only allowed to use the original Fastening bolt d20/112 for lifting the formwork.

The head of the Fastening bolt d20/112 has a red mark and has the numbers "8.8" punched into it.

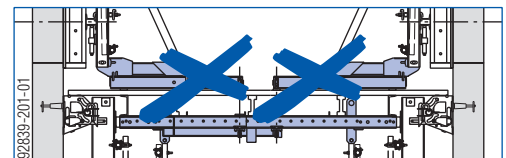


e.g. the Connecting pin 25cm must not be used.



NOTICE

The Lifting set Xclimb 60 may only be used in the Travelling gear SK 0.95m.



e.g. it is forbidden to use it on the Travelling gear SKE 50 plus 0.50m.



EC Declaration of Conformity
pursuant to EC Directive 2006/42/EC.

The manufacturer declares that by reason of its conception and design, the following product

Lifting set Xclimb 60, art. n° 581387000

conforms – in the version marketed by ourselves – to the pertinent fundamental health and safety stipulations of the relevant EC Directives.

The following harmonised standards were applied:

- EN ISO 12100:2010
- EN ISO 12100-2:2009
- EN 13155:2009

Person authorised to compile technical documentation (pursuant to European Directive on Machinery Annex II):

Ing. Johann Peneder
Josef Umdasch Platz 1
A-3300 Amstetten

Amstetten, 23/08/2016

Doka GmbH
Josef Umdasch Platz 1
A-3300 Amstetten

Ludwig Pekarek
Executive Manager

Johann Peneder
Authorised Officer, Head of R&D