

The Formwork Experts.

Dokaset 2-part chain 1.50m

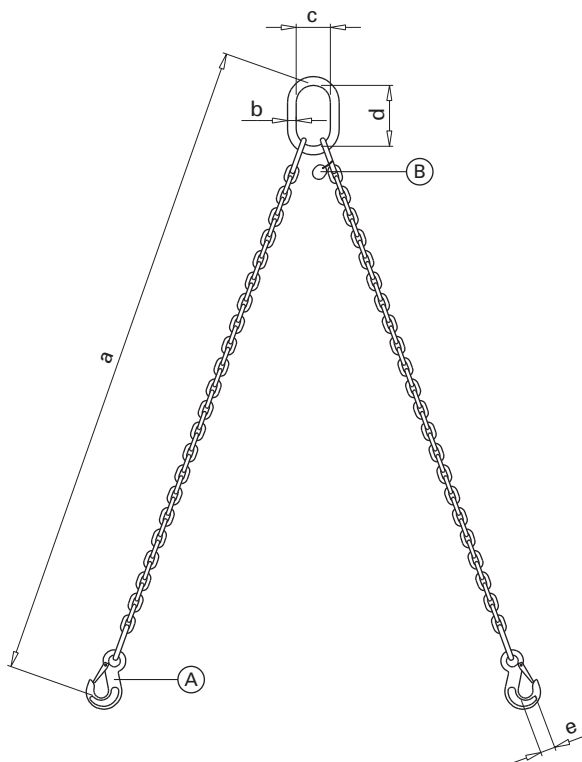
Art. n°: 588917000

Original Operating Instructions

Please retain for future reference



Product presentation

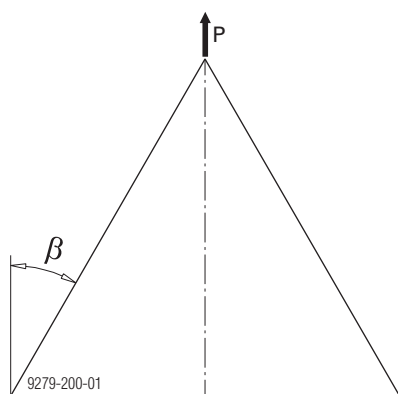


- a ... 1500 mm
- b ... diam. 16 mm
- c ... 60 mm
- d ... 110 mm
- e ... 26 mm

A Eye-hook HSW 7-8 with locking flap

B Tag showing the load rating

Carrying capacity



Carrying capacity	Spread-angle β			
	0°	$0^\circ-30^\circ$	$30^\circ-45^\circ$	$45^\circ-60^\circ$
$P_{max.}$ (kg)	1900	-	-	-
Using 1 chain	1900	-	-	-
Using 2 chains	-	3250	2650	1900

Intended use

The 'Dokaset 2-part chain 1.50m' is a lifting accessory with load compensation. It is used for raising, repositioning and laying down Dokaset panels and gang-forms assembled from Dokaset panels (intended use).



NOTICE

- Other use or use not in conformity with that stated above is non-intended use and requires the prior written approval of the Doka company!
- It is forbidden to lift other manufacturers' formwork with it.
- The lifting accessory may only be used by experienced, trained personnel ('crane slingers').
- Do not lead across sharp edges unless suitable preparations are made first.
- Avoid knocks and impacts which could overload the system.

Deployment limitations

In high temperatures, a correspondingly lower carrying capacity must be assumed for the lifting accessory.

Before using this device in an aggressive environment, it must first be established whether such use is permissible.

Maintenance & inspection

- Repairs may only be carried out by the manufacturer!
- Doka accepts no liability for products that have been altered!

Before every use

- ▶ Check for any signs of damage or visible deformation.



Lifting accessories that do not meet the following criteria must be withdrawn from use immediately:

- No deformation.
- No cracks or notches.
- No damage due to the influence of heat.
- Not knotted or twisted.
- The tag showing the load rating must be attached, and clearly legible.

At regular intervals

- Inspection of lifting accessories must be performed at regular intervals by an **expert** in conformity with **national statutory provisions**. Unless otherwise stipulated, such inspection must be carried out **at least once a year**.

Storage

- Store lifting accessories in a dry and well ventilated place, protected from the weather and from all corrosive substances.

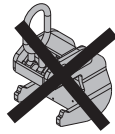
Crane hoisting points

The 2-part chain remains attached to the gang throughout the forming assignment.



NOTICE

When lifting Dokaset, and combinations of Dokaset and Framax, **ONLY** use the Dokaset slinging points.



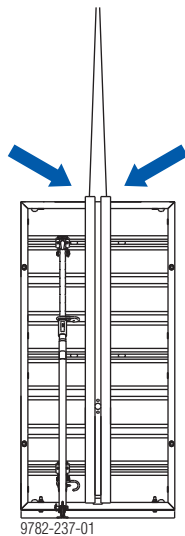
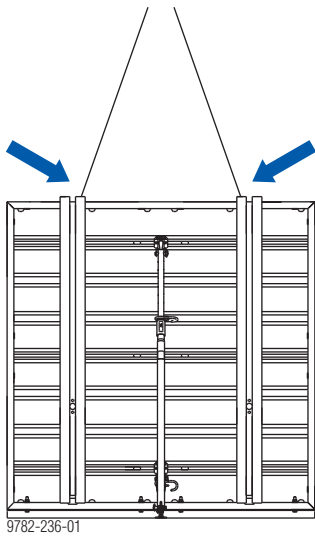
Dokaset unit for resetting



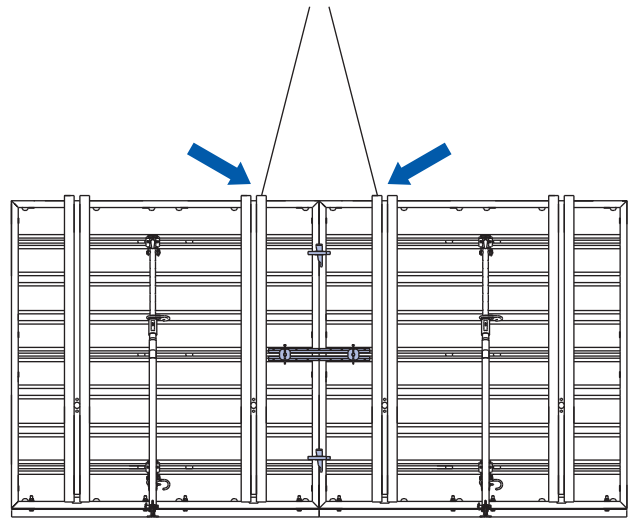
NOTICE

- ▶ Do not exceed the max. load of the slinging points on the item (load) for repositioning!
- ▶ Always attach the 2-part chain to the inside bolts of the unit to be lifted.

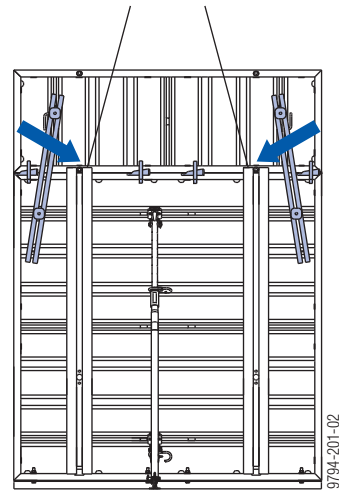
Single panel



Gang-form

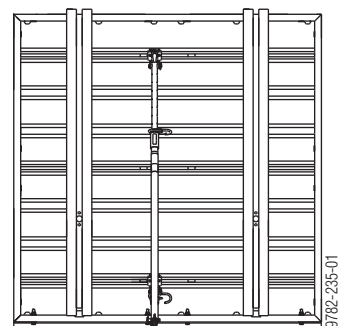
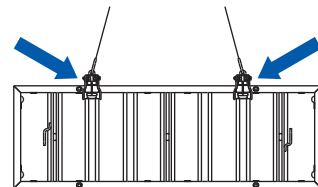


Combining Dokaset and Framax



Vertical stacking with Framax

When a gang is vertically stacked with Framax, the Framax panels can be lifted into place with the Framax lifting hook.



Stripping and repositioning the panels

Before repositioning: Remove any loose items from the formwork and platforms, or secure them firmly.



NOTICE

- ▶ Make sure the tag-lines are long enough to enable the holders to stay outside the danger zone at all times.



WARNING

The formwork tends to adhere to the concrete. When stripping the formwork, do not try to break concrete cohesion using the crane!

Risk of injury and damage to property due to crane overload.

- ▶ Use suitable tools such as timber wedges or a special pry-bar to detach the formwork from the concrete.
- ▶ Crane-lift the gang-form to its next location (guide with tag-lines if necessary).

Declaration of conformity



EC Declaration of Conformity
pursuant to EC Directive 2006/42/EC.

The manufacturer declares that by reason of its conception and design, the following product

Dokaset 2-part chain 1.50m, art. n° 588917000

conforms – in the version marketed by ourselves – to the pertinent fundamental health and safety stipulations of the relevant EC Directives.

The following harmonised standards were applied:

- EN ISO 12100:2010
- EN 349:1993+A1:2008

Person authorised to compile technical documentation (pursuant to European Directive on Machinery Annex II):

Harald Ziebula
Josef Umdasch Platz 1
A-3300 Amstetten

Amstetten, 15/12/2020

Doka GmbH
Josef Umdasch Platz 1
A-3300 Amstetten

Harald Ziebula
Managing Director

Dipl.-Ing. Peter Reisinger
Authorised Officer, Head of Engineering