

The Formwork Experts.

---

# Dokaset 2-part chain 1.50m

Art. n°: 588917000 | 2007 models onward

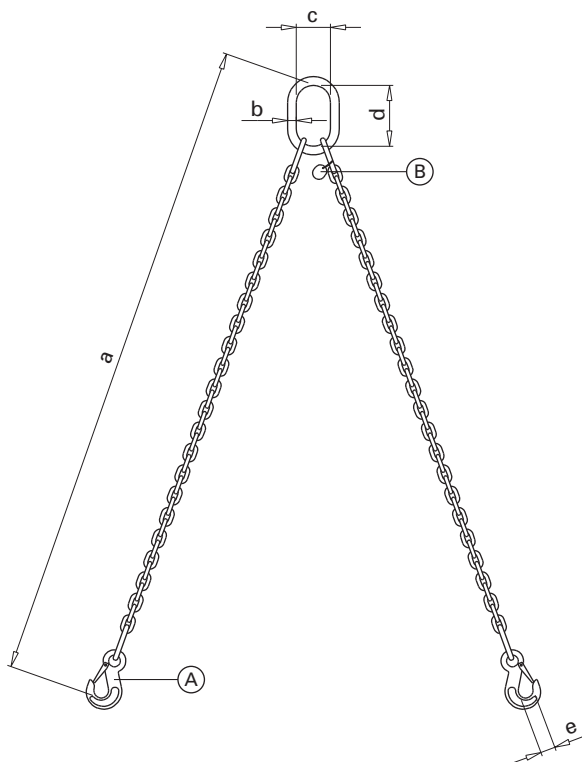
---

## Original Operating Instructions

Please retain for future reference



## Basic drawings of product

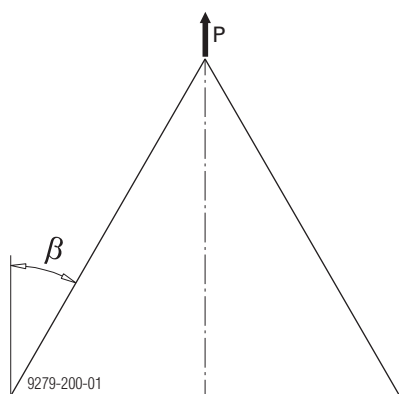


a ... 1500 mm  
 b ... diam. 16 mm  
 c ... 60 mm  
 d ... 110 mm  
 e ... 26 mm

**A** Eye-hook HSW 7-8 with locking flap

**B** Tag showing the load rating

## Carrying capacity



Carrying capacity	Spread-angle $\beta$			
	$0^\circ$	$0^\circ-30^\circ$	$30^\circ-45^\circ$	$45^\circ-60^\circ$
$P_{\max.}$ (kg)	1900	-	-	-
Using 1 chain	1900	-	-	-
Using 2 chains	-	3250	2650	1900

## Intended use

The Dokaset 2-part chain 1.50m is designed to cover a wide range of general lifting operations in terms of different types of loads and crane-attachment methods.

The Dokaset 2-part chain 1.50m is a lifting accessory with load compensation. It is especially suitable for lifting Dokaset panels, Dokaset N panels and multi-panel gangs.



### Important note:

- It is forbidden to use the product for anything but its designated purpose!
- It is forbidden to lift other manufacturers' formwork with it.
- The lifting accessory may only be used by experienced, trained persons ('crane slingers').
- Do not lead across sharp edges unless suitable preparations are made first.
- Avoid knocks and impacts which could overload the system.

## Deployment limitations

In high temperatures, a correspondingly lower carrying capacity must be assumed for the lifting accessory.

Before using this device in an aggressive environment, it must first be established whether such use is permissible.

## Maintenance & inspection

- Repairs may only be carried out by the manufacturer!
- Doka accepts no liability for products that have been altered!

## Before every use

- Check for any signs of damage or visible deformation.



Lifting accessories that do not meet the following criteria must be withdrawn from use immediately:

- No deformation.
- No cracks or notches.
- No damage due to the influence of heat.
- Not knotted or twisted.
- The tag showing the load rating must be attached, and clearly legible.

## At regular intervals

- Inspection of lifting accessories must be performed at regular intervals by an **expert** in conformity with **national statutory provisions**. Unless otherwise stipulated, such inspection must be carried out **at least once a year**.

## Storage

- Store lifting accessories in a dry and well ventilated place, protected from the weather and from all corrosive substances.

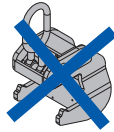
## Crane hoisting points

The 2-part chain remains attached to the gang throughout the forming assignment.



### Important note:

When lifting Dokaset, and combinations of Dokaset and Framax, **ONLY** use the Dokaset slinging points.

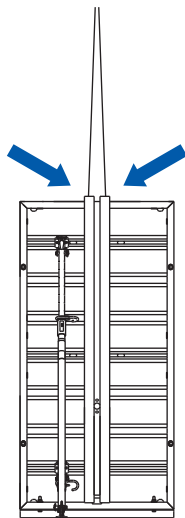
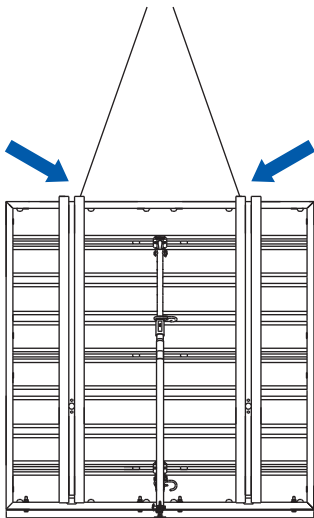


## Dokaset unit for resetting

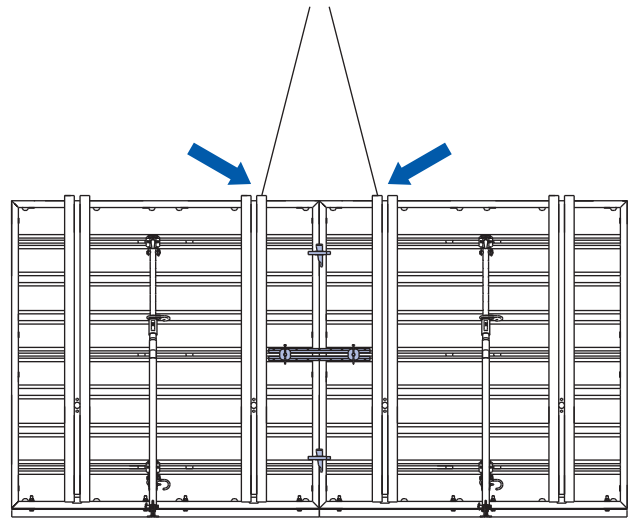


- Do not exceed the max. load of the slinging points on the item (load) for repositioning!
- Always attach the 2-part chain to the inside bolts of the unit to be lifted.

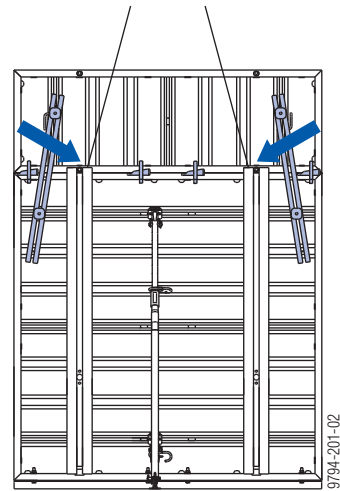
### Single panel



## Gang-form

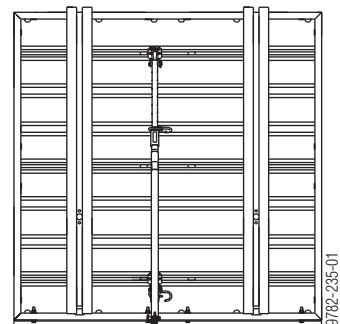
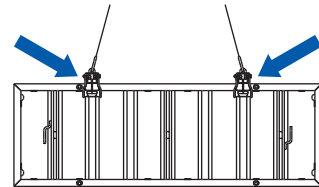


## Combining Dokaset and Framax



## Vertical stacking with Framax

When a gang is vertically stacked with Framax, the Framax panels can be lifted into place with the Framax lifting hook.



## Striking and repositioning the panels

**Before lifting:** Remove any loose items from the formwork and platforms, or secure them firmly.



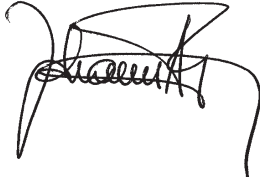


### WARNING

The formwork tends to adhere to the concrete. When stripping the formwork, do not try to break concrete cohesion using the crane!  
Risk of crane overload.

- Use suitable tools such as timber wedges or a special pry-bar to detach the formwork from the concrete.

- Lift the gang-form to its new location (guide with tag-lines if necessary).

 EC Declaration of Conformity pursuant to EC Directive 2006/42/EC.	
The manufacturer declares that by reason of its conception and design, the following product <p style="text-align: center;"><b>Dokaset 2-part chain 1.50m, Art. n° 588917000</b></p> conforms – in the version marketed by ourselves – to the pertinent fundamental health and safety stipulations of the relevant EC Directives.	
<b>The following harmonised Standards were applied:</b> <ul style="list-style-type: none"> <li>▪ EN ISO 12100:2010</li> <li>▪ EN 349:1993+A1:2008</li> </ul>	
<b>Person authorised to compile technical documentation (pursuant to European Directive on Machinery Annex II):</b> Ing. Johann Peneder Josef Umdasch Platz 1 A-3300 Amstetten	
Amstetten, 02.05.2012	Doka GmbH Josef Umdasch Platz 1 A-3300 Amstetten
 Ludwig Pekarek, Executive Manager	 Johann Peneder, Authorised Officer, Head of R&D