

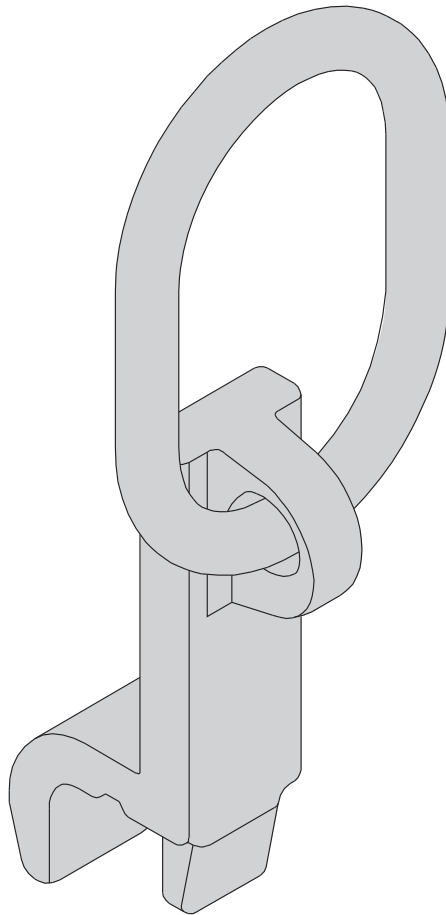
The Formwork Experts.

Frami transport hook

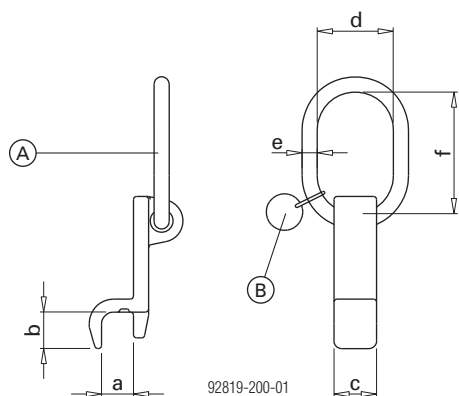
Art. n°: 588494000

Original Operating Instructions

Please retain for future reference



Product presentation



- a ... 21 mm
- b ... 24 mm
- c ... 28 mm
- d ... 50 mm
- e ... diam. 10 mm
- f ... 80 mm

A A10 chainlink

B Tag showing load capacity

Dead weight: 0.5 kg

Year of manufacture: See load capacity tag

Intended use

The Frami transport hook is a lifting accessory that may only be used in conjunction with a **4-part chain with load compensation**.

It is used for lifting one DokaXdek table, one stack of Frami panels, a single panel or a horizontal (flat) multi-panel gang (intended use).



NOTICE

- Other use or use not in conformity with that stated above is non-intended use and requires the prior written approval of the Doka company!
- It is forbidden to lift other manufacturers' formwork with it.

Max. working load limit:

450 kg / Frami transport hook

Frami transport hooks manufactured before 2015, with a load capacity of 250 kg, are capable of carrying 450 kg.



NOTICE

4 Frami transport hooks are always needed!

Maintenance & inspection

- Repairs may only be carried out by the manufacturer!
- Doka accepts no liability for products that have been altered!

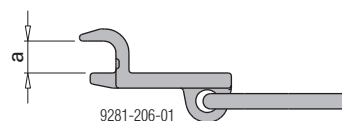
Before every use

- ▶ Check for any signs of damage or visible deformation.



Lifting accessories that do not meet the following criteria must be withdrawn from use immediately:

- Control-dimension.
- No deformation.
- The tag showing the load rating must be attached and clearly legible.



Control-dimension:

a ... min. 20.5 mm – max. 22.0 mm

At regular intervals

- Inspection of lifting accessories must be performed at regular intervals by an **expert** in conformity with **national statutory provisions**. Unless otherwise stipulated, such inspection must be carried out **at least once a year**.

Storage

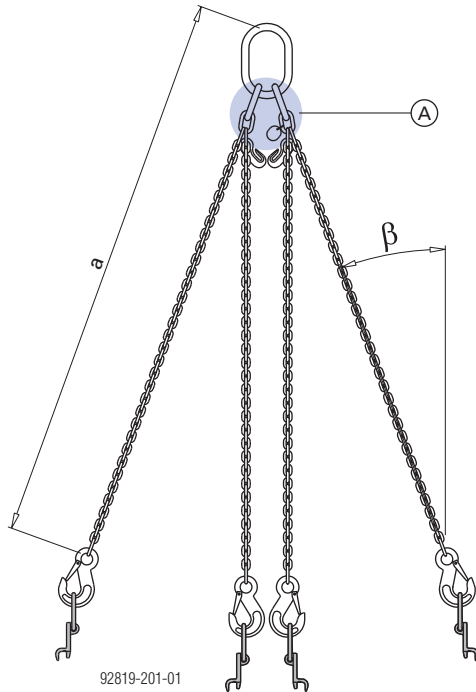
- Store lifting accessories in a dry and well ventilated place, protected from the weather and from all corrosive substances.

As used with the 4-part chain

Required working load limit (using 4 chains):

Sling angle β	
45°	1350 kg

e.g. Doka 4-part chain 3.20m
Art. n°: 588620000

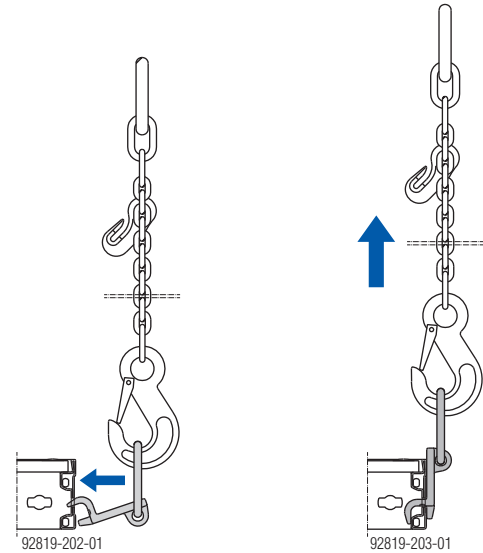


a ... min. 3200 mm

A Load compensation

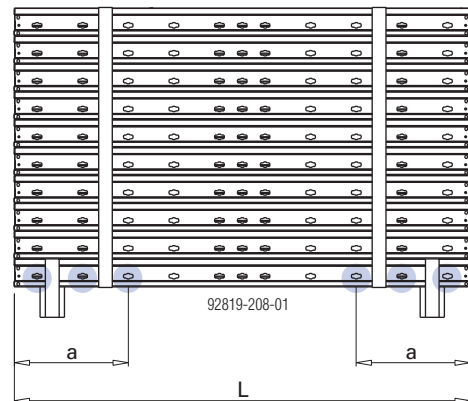
How to use

- 1) Push all 4 Frami transport hooks, as far as they will go, into the outside cross boreholes in the DokaX-dek table or the Frami panel.
- 2) Raise the 4-part chain by crane.
The transport hook locks automatically under load.



Positioning the transport hooks

- Only attach **to the bottom panel** of the stack.
- Only use the cross-bores in the hook-fixing zone.



a ... Hook-fixing zone: max. 1/4 of the height of the frame
L ... Frame height

Practical examples

Hoisting bundled stacks of panels

NOTICE

- Number of Frami framed formwork panels per stack: max. 10
- Only hoist one stack at a time, consisting of identically sized panels.
- Width of stacking tapes: 19 to 32 mm
- Failure load of stacking tapes: min. 11,500 N

WARNING

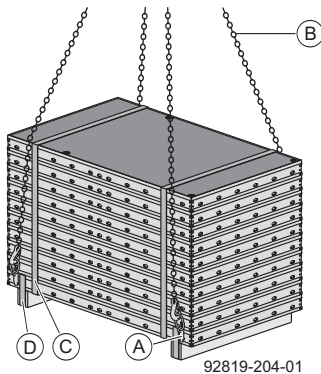
- ▶ It is strictly forbidden to hoist stacks of panels that are not strapped with stacking tapes!

- ▶ Remove any loose items from the stack.

WARNING

- ▶ It is strictly forbidden to attach the chain to panels that are higher up the stack!
The stacking tape might snap, putting anybody below in great danger.

- ▶ Fix the Frami transport hooks **in the bottom panel**.



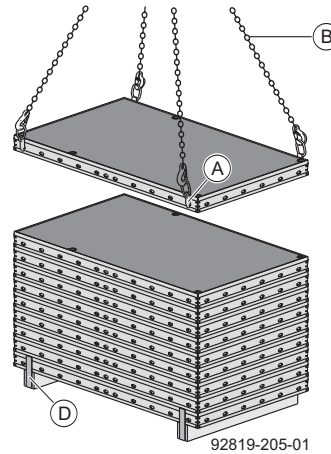
- A Frami transport hook
- B Doka 4-part chain 3.20m
- C Stacking tape
- D Strapping tape

Lifting framed formwork panels off the stack

CAUTION

- ▶ The stacking tapes may spring away suddenly under the high tension!

- ▶ Cut the stacking tape.
- ▶ Remove any loose items from the stack.
- ▶ Lift the panels off the stack one by one.



- A Frami transport hook
- B Doka 4-part chain 3.20m
- D Strapping tape

Lifting tables off the stack

NOTICE

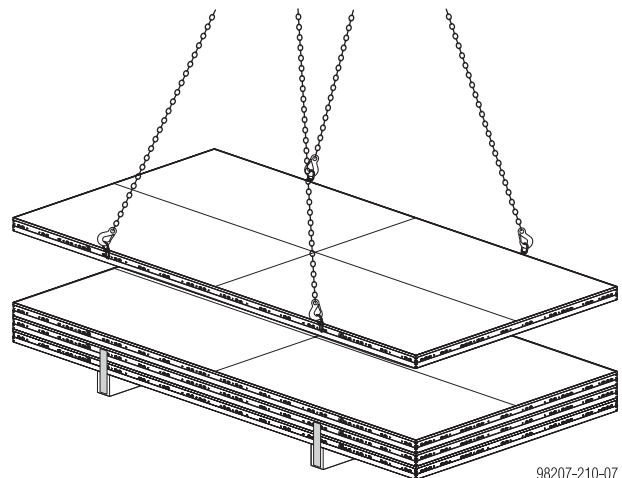
- Lift only one table at a time off the stack. Lifting two or more tables bundled in a stack is prohibited!

- ▶ Cut the stacking tape.

WARNING

- ▶ The stacking tapes may spring away suddenly under the high tension!

- ▶ Lift the tables off the stack one by one.



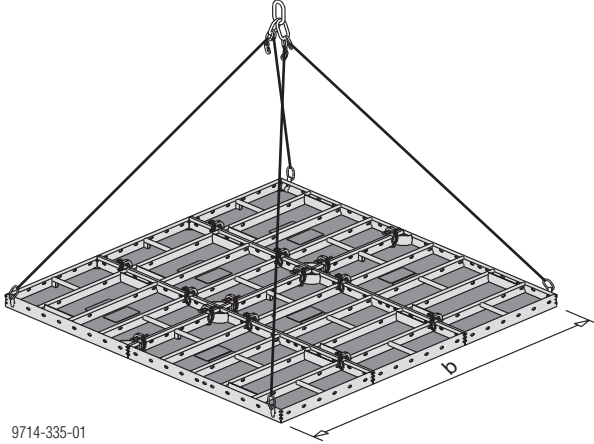
Handling horizontal (flat) multi-panel gangs



WARNING

Using the Frami transport hook to **lift either single panels or multi-panel gangs into the upright is forbidden.**

- ▶ Use the Frami lifting hook to lift panels or gangs into the upright.



9714-335-01

Dimension "b" (width of the gang-form)	Max. n° of panels across the width of the gang-form
Up to 1.80 m	No limitation
Over 1.80 m	Max. 3 panels

Declaration of conformity



EC Declaration of Conformity
pursuant to EC Directive 2006/42/EC.

The manufacturer declares that by reason of its conception and design, the following product

Frami transport hook, art. n° 588494000

conforms – in the version marketed by ourselves – to the pertinent fundamental health and safety stipulations of the relevant EC Directives.

The following harmonised standards were applied:

- EN ISO 12100:2010
- EN ISO 13854:2019

**Person authorised to compile technical documentation
(pursuant to European Directive on Machinery Annex II):**

Robert Hauser
Josef Umdasch Platz 1
A-3300 Amstetten

Amstetten, 17/01/2023

Doka GmbH
Josef Umdasch Platz 1
A-3300 Amstetten

Robert Hauser
CEO

Sebastian Dorda
Vice President
Strategy & Innovation