

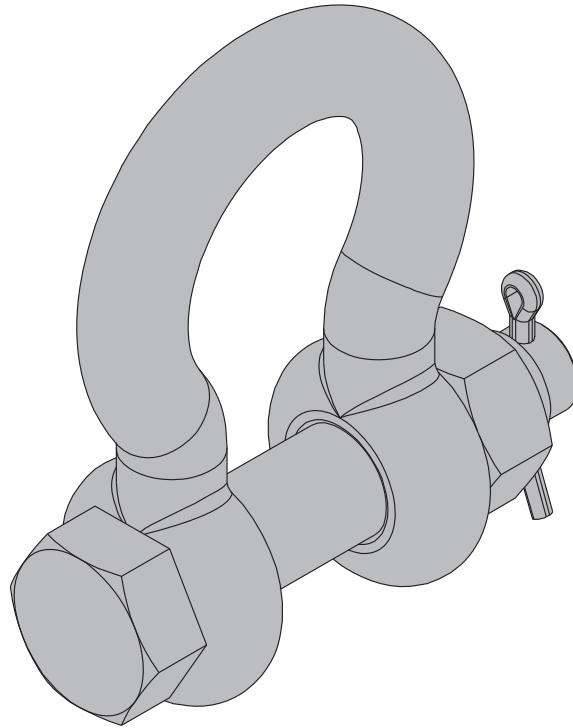
The Formwork Experts.

Shackle Xclimb 60 6.5t

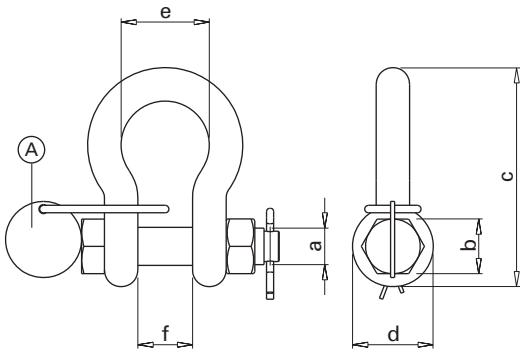
Art. n° 581376000 | 2008 models onward

Original Operating Instructions

Please retain for future reference



Basic drawings of product



a ... M24
b ... SW36
c ... 144 mm
d ... 53 mm
e ... 58 mm
f ... 36 mm

A Tag showing the load rating

Use for the designated purpose only

The Shackle Xclimb 60 6.5t is used for lifting loads in accordance with the relevant European and national Standards, with the exception of the deployment limitations stated below.



Important note:

- It is forbidden to use the product for anything but its intended purpose!
- It is forbidden to lift other manufacturers' formwork systems with it.
- The lifting accessory may only be used by experienced, trained persons ('crane slingers').
- Do not run over sharp edges without taking suitable precautions, and avoid knocks and impacts which could overload it.

Max. load:

6500 kg / Shackle Xclimb 60 6.5t



Deployment limitations

In high temperatures, a correspondingly lower carrying capacity must be assumed for the lifting accessory. Before using this device in an aggressive environment, it must first be established whether such use is permissible.

Maintenance & inspection

- Repairs may only be carried out by the manufacturer!
- Doka accepts no liability for products that have been altered!

Before every use

- ▶ Check for any signs of damage or visible deformation.



Lifting accessories that do not meet the following criteria must be withdrawn from use immediately:

- No deformation.
- No cracks or notches.
- No damage due to the influence of heat.
- The tag showing the load rating must be attached and clearly legible.

At regular intervals

- Inspection of lifting accessories must be performed at regular intervals by an **expert** in conformity with **national statutory provisions**. Unless otherwise stipulated, such inspection must be carried out **at least once a year**.

Storage

- Store lifting accessories in a dry and well ventilated place, protected from the weather and from all corrosive substances.