

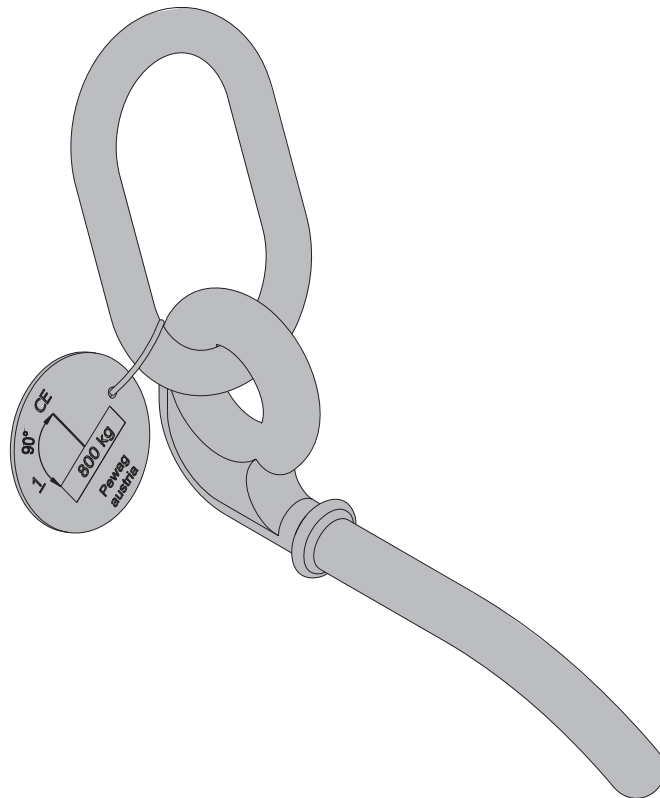
The Formwork Experts.

Framax transport bolt

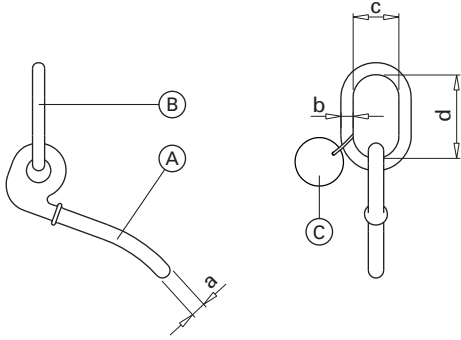
Art. n°: 588621000

Original Operating Instructions

Please retain for future reference



Product presentation



a ... $\varnothing 20$ mm
 b ... $\varnothing 16$ mm
 c ... 60 mm
 d ... 110 mm

A Transport bolt

B Member A16

C Tag showing load capacity

Intended use

The Framax transport bolt is a lifting accessory and is used for the transport of DokaXdek tables, a Framax, Frameco or ReFormaX panel stack or single panel (intended use).



NOTICE

- Other use or use not in conformity with that stated above is non-intended use and requires the prior written approval of the Doka company!
- It is forbidden to lift other manufacturers' formwork with it.
- Use permitted only in combination with a 4-part chain **with load compensation!**
- 4** Framax transport bolts are always needed!

Max. working load limit:

800 kg / Framax transport bolt

Framax transport bolts manufactured until 2015, with a given working load limit of 500 kg, are capable of carrying 800 kg.

Maintenance & inspection

- Repairs may only be carried out by the manufacturer!
- Doka accepts no liability for products that have been altered!

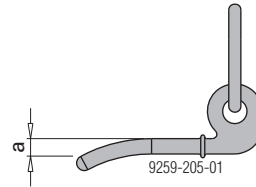
Before every use

- Check for any signs of damage or visible deformation.



Lifting accessories that do not meet the following criteria must be withdrawn from use immediately:

- Control-dimension of transport bolt must be OK.
- No deformation.
- The tag showing the load rating must be attached and clearly legible.



a ... min. 20 mm

At regular intervals

- Inspection of lifting accessories must be performed at regular intervals by an **expert** in conformity with **national statutory provisions**. Unless otherwise stipulated, such inspection must be carried out **at least once a year**.

Storage

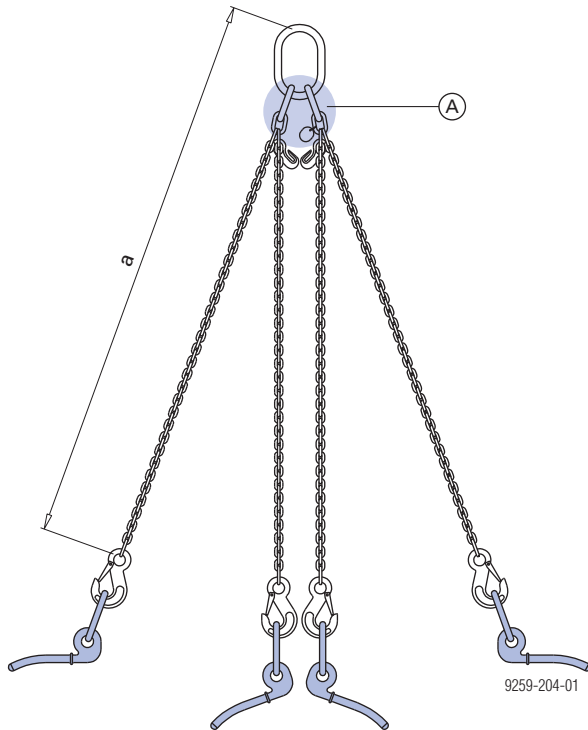
- Store lifting accessories in a dry and well ventilated place, protected from the weather and from all corrosive substances.

As used with the 4-part chain

Required working load limit (using 4 chains):

Sling angle β	
45°	2400 kg

e.g. Doka 4-part chain 3.20m
Art. n°: 588620000

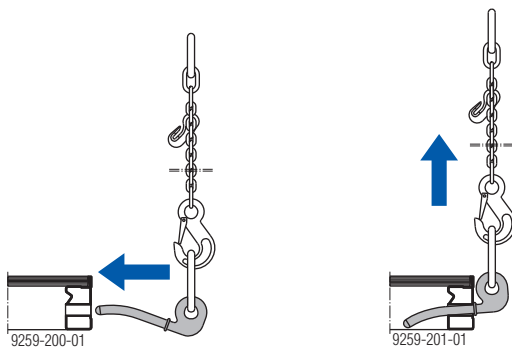


a ... min. 3200 mm

A Load compensation

How to use

- 1) Push all 4 Framax transport bolts, as far as they will go, into the outside cross boreholes of the panel or table.
- 2) Raise the 4-part chain by crane.
The transport bolt locks automatically under load.



Practical examples

Hoisting bundled stacks of panels

Max. number of panels per stack:

Framax panel	N° of panels
1.35x2.70m	8
1.35x3.30m	8
2.40x2.70m	5
2.70x2.70m	5
2.40x3.30m	4
2.70x3.30m	4



NOTICE

- Only hoist one stack at a time, consisting of identically sized panels.



WARNING

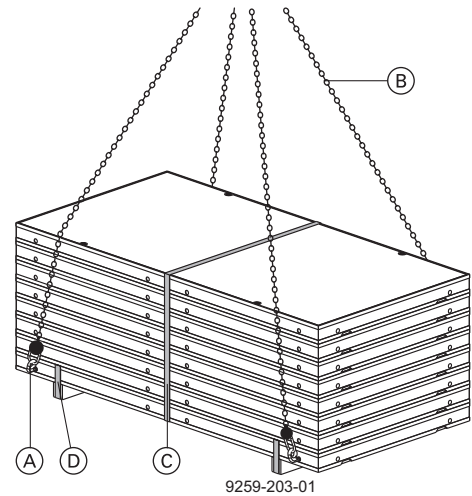
- It is strictly forbidden to lift stacks of panels without inserting Framax stacking cones (2 cones per layer) first!



WARNING

- It is strictly forbidden to attach the chain to panels that are higher up the stack!
The stacking tape might snap, putting anybody below in great danger.

- Fix the Framax transport bolts in the bottom panel.



A Transport bolt

B Doka 4-part chain 3.20m

C Stacking tape

D Strapping tape

Lifting tables in a stack



NOTICE

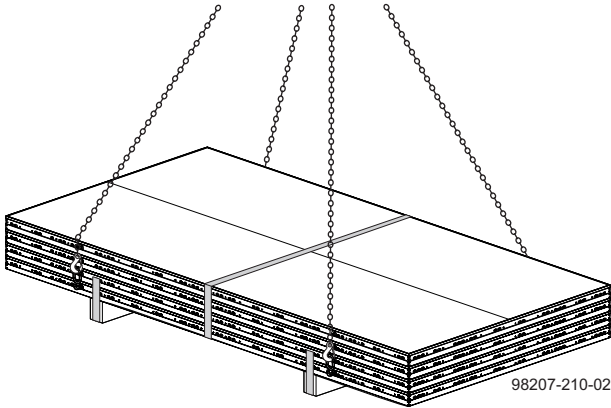
- Only hoist one stack at a time, consisting of identically sized tables.



WARNING

- ▶ It is strictly forbidden to attach the chain to tables that are higher up the stack!
The stacking tape might snap, putting anybody below in great danger.

- ▶ Fix the Framax transport bolts **in the bottom table**.



Max. number of tables bundled in a stack: 4
Max. number of tables with swivel heads: 3

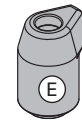
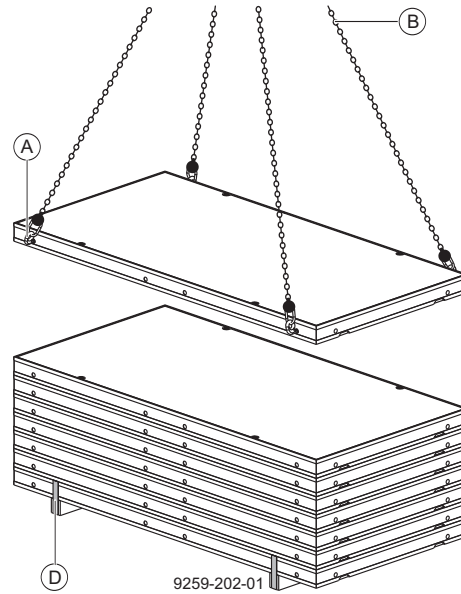
Lifting framed formwork panels off the stack

- ▶ Cut the stacking tape.



WARNING

- ▶ The stacking tapes may spring away suddenly under the high tension!
- ▶ Lift the panels off the stack one by one.
- ▶ Remove the inserted Framax stacking cones and retain them for further use.



- A Transport bolt
- B Doka 4-part chain 3.20m
- D Strapping tape
- E Framax stacking cone



WARNING

- Using Framax transport bolts to lift the framed panels upright or turn them over is prohibited!
- ▶ Use Framax lifting hooks!

Lifting tables off the stack

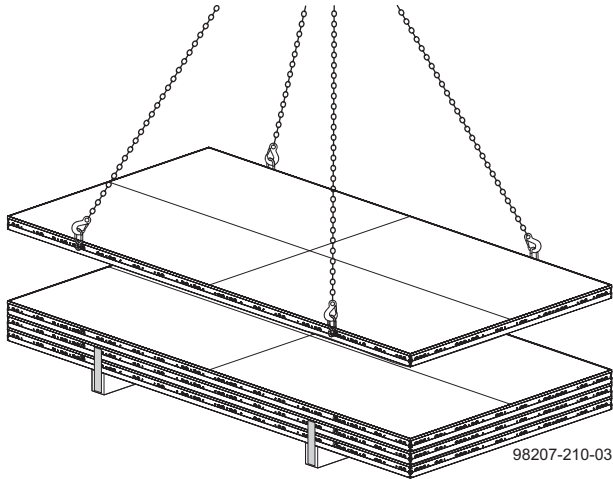
- ▶ Cut the stacking tape.



WARNING

- ▶ The stacking tapes may spring away suddenly under the high tension!

- ▶ Lift the tables off the stack one by one.



Lifting inside corners off the stack



NOTICE

It is only allowed to lift **one** inside corner at a time with the Framax transport bolts!

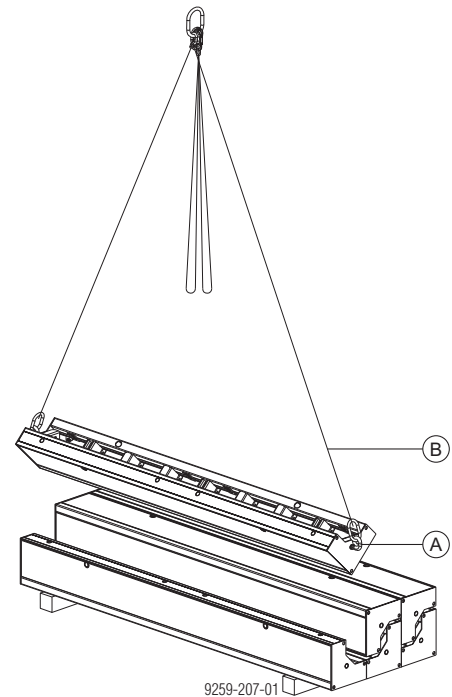
- ▶ Cut the stacking tape.



WARNING

- ▶ The stacking tapes may spring away suddenly under the high tension!

- ▶ Push 2 Framax transport bolts, as far as they will go, into the boreholes on the end faces of the Framax inside corners.
- ▶ Lift the inside corners off the stack one by one.



A Transport bolt

B Doka 4-part chain 3.20m

Declaration of conformity

 EC Declaration of Conformity pursuant to EC Directive 2006/42/EC.	
The manufacturer declares that by reason of its conception and design, the following product Framax transport bolt, art. n° 588621000 conforms – in the version marketed by ourselves – to the pertinent fundamental health and safety stipulations of the relevant EC Directives.	
The following harmonised standards were applied: <ul style="list-style-type: none"> ▪ EN ISO 12100:2010 ▪ EN ISO 13854:2019 	
Person authorised to compile technical documentation (pursuant to European Directive on Machinery Annex II): Robert Hauser Josef Umdasch Platz 1 A-3300 Amstetten	
Amstetten, 17/01/2023	Doka GmbH Josef Umdasch Platz 1 A-3300 Amstetten
 Robert Hauser CEO	 Sebastian Dorda Vice President Strategy & Innovation