

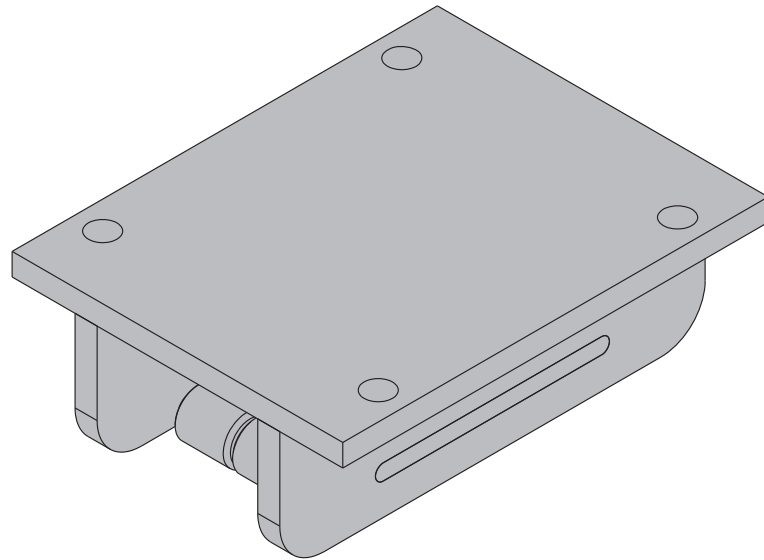
The Formwork Experts.

Heavy-duty roller gear SL-1 300kN

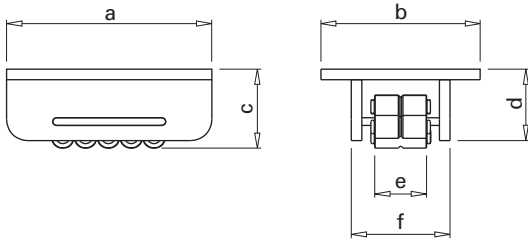
Art. n°: 582818000 | 2002 models onward

Original Operating Instructions

Please retain for future reference



Product presentation



a ... 270 mm
 b ... 210 mm
 c ... 104 mm
 d ... 94 mm
 e ... 68 mm
 f ... 130 mm

Intended use

The Heavy-duty roller gear SL-1 300kN is a lifting accessory. It is for travelling heavy constructions in a straight line (intended use).

Max. load-bearing capacity:

load applied centrally: 30000 kg / heavy-duty roller gear



NOTICE

- Other use or use not in conformity with that stated above is non-intended use and requires the prior written approval of the Doka company!
- The warranty shall lapse in the event of overloading or other improper use of the equipment.

Maintenance & inspection

- Repairs may only be carried out by the manufacturer!
- Doka accepts no liability for products that have been altered!

After taking delivery of the Heavy-duty roller gear SL-1 300kN

The Heavy-duty roller gear SL-1 300kN is given thorough inspection and testing before being dispatched from the manufacturer's factory. In order to make sure that no damage has occurred in transit, the Heavy-duty roller gear SL-1 300kN should be inspected thoroughly as soon as it is delivered. Any damage in transit must be reported to the sender in writing.

Before every use

- ▶ Check for any signs of damage or visible deformation.



Damaged or deformed Heavy-duty roller gear SL-1 300kN that do not meet the following criteria must be withdrawn from use immediately.

- Crack-free and notch-free welds.
- No deformation
 - of the connecting plates of the chain-links
 - of the chain pins

After every time of using

- ▶ Clean the heavy-duty rollers and accessories with low-viscosity machine cleaning agent.
- ▶ After cleaning the Heavy-duty roller gear and accessories, treat them with corrosion inhibitor.

Note:

Do not lubricate the roller chain with grease, as this only causes increased dirt pick-up.

At regular intervals

- Inspection of lifting accessories must be performed at regular intervals by an **expert** in conformity with **national statutory provisions**. Unless otherwise stipulated, such inspection must be carried out **at least once a year**.
- The roller chains must be inspected every 3 months.

Storage

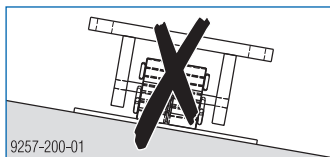
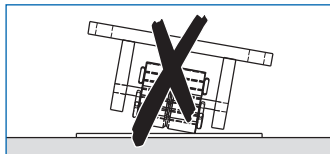
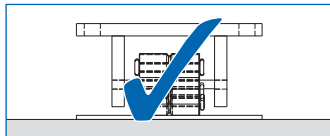
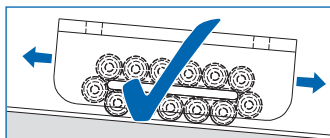
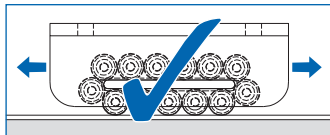
Store the Heavy-duty roller gear SL-1 300kN in a dry, well-ventilated place, protected from climatic influences and aggressive substances.

Repositioning using Heavy-duty roller gear SL-1 300kN



NOTICE

- 'Passenger transportation' is forbidden!
- It is forbidden to use any other mechanical assistance for travelling the unit!
- Do not reach under the load while using the Heavy-duty roller gear.
- Make sure that the load does not slip off the hoisting equipment while the Heavy-duty roller gear units are being installed!
- Keep the travel route clean and free of any obstacles.
- A suitable roll-stop (counteracting force) must be in place for upslopes or downslopes.
- Max. travel speed 5m/min.
- Use of the Heavy-duty roller gear unit SL-1 300kN is permissible only when the roller axis is horizontal!



9257-200-01

with Inner plate SL-1

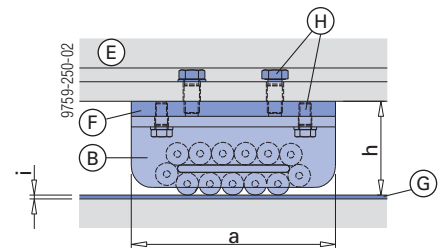
for travelling HD supporting units where there is a level, continuous base slab with sufficient load-bearing capacity.



NOTICE

- There must be a trackway in place that has sufficient load-bearing capacity to withstand the high contact pressure (e.g. thick steel plate or HEM profile beams).
- Secure steel plate (G) or steel profile so that it cannot slip out of position!
- The Heavy-duty roller gear must be joined to the load either non-positively frictionally or by positive locking.

System dimensions:



a ... 27.0 cm
h ... 10.4 cm
i ... min. 12 mm

B Heavy-duty roller gear SL-1 300kN

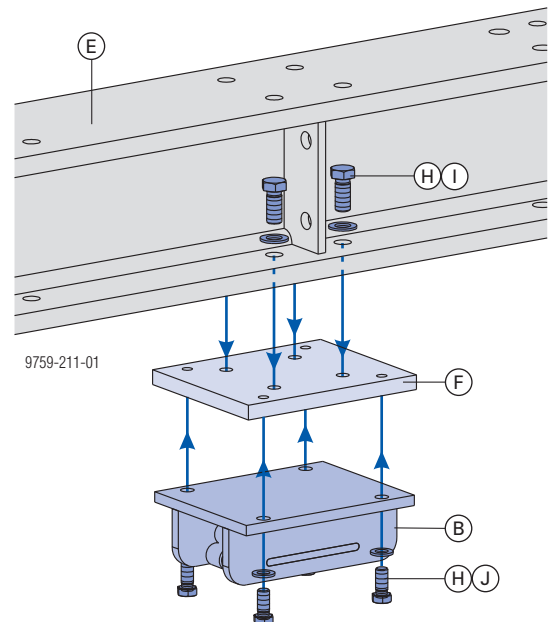
E System beam SL-1

F Inner plate SL-1

G Steel plate

H Inner plate screw-set SL-1

Installation:



B Heavy-duty roller gear SL-1 300kN

E System beam SL-1

F Inner plate SL-1

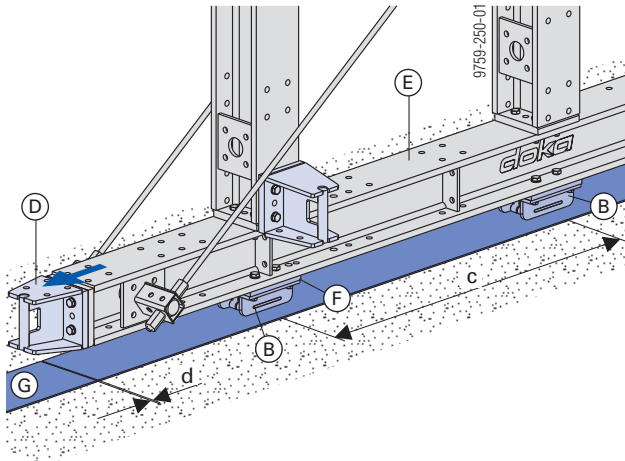
H Inner plate screw-set SL-1

I Four M20x45 8.8 hexagon bolts + 4 washers (included in scope of supply of Item H)

J Four M16x35 8.8 hexagon bolts + 4 washers (included in scope of supply of Item H)

Repositioning procedure:

- ▶ Lower the heavy-duty supporting unit using a Lowering cylinder SL-1 250kN.
- ▶ Move the HD supporting unit over the heavy-duty rollers.



c ... Distance as per shop drawing
 d ... Max. gap between the steel plates: 1 mm, and no height mismatch

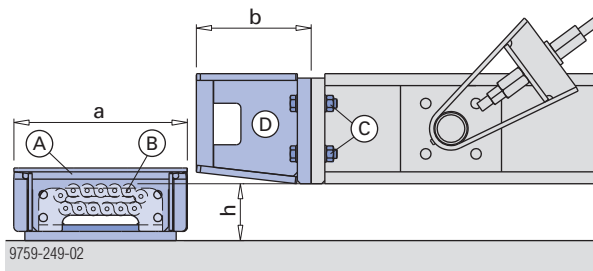
- B** Heavy-duty roller gear SL-1 300kN
- D** Bracket SL-1
- E** System beam SL-1
- F** Inner plate SL-1
- G** Steel plate

with Guidance for heavy-duty roller gear SL-1

for straight-line travelling of HD supporting units where the base slab is not continuously of sufficient load-bearing capacity.

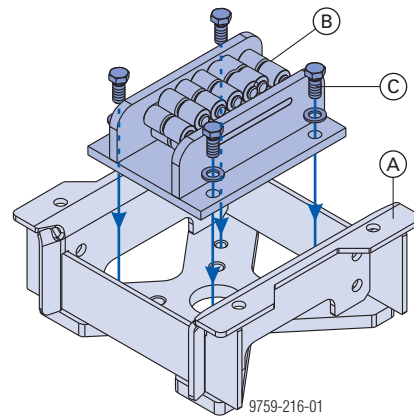
**NOTICE**

Position all the Heavy-duty roller gear units at the same level, in such a way that they are top-ple-proof and have sufficient load-bearing capacity.

System dimensions:

a ... 37.8 cm
 b ... 25.0 cm
 h ... 12.4 cm

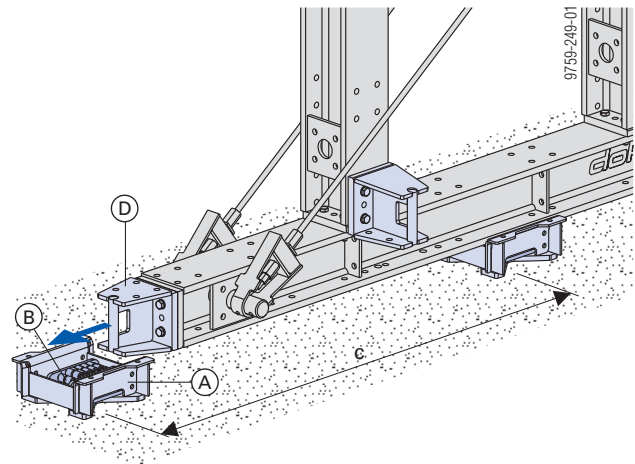
- A** Guidance for heavy-duty roller gear SL-1
- B** Heavy-duty roller gear SL-1 300kN
- C** Screw-set M22x90 DIN 931 8.8
- D** Bracket SL-1

Installation:

- A** Guidance for heavy-duty roller gear SL-1
- B** Heavy-duty roller gear SL-1 300kN
- C** Guid. for heavy-duty roller g. screw-set SL-1

Repositioning procedure:

- ▶ Lower the heavy-duty supporting unit using a Lowering cylinder SL-1 250kN.
- ▶ Move the HD supporting unit over the heavy-duty rollers (oblique pull is not permitted).



c ... Distance as per shop drawing

- A** Guidance for heavy-duty roller gear SL-1
- B** Heavy-duty roller gear SL-1 300kN
- D** Bracket SL-1

Changing direction**NOTICE**

Do not attempt to change direction by using force.

- ▶ Raise the load and secure it.
- ▶ With the Heavy-duty roller gear attached to the load, align the load in the new direction of travel.
- ▶ Lower the load.

Malfuncions

If the chain of one or more Heavy-duty roller gear units is blocked by obstacles:

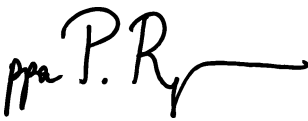
- ▶ Push back the load.
- ▶ Remove the obstacle(s).



NOTICE

If a chain has been blocked frequently by obstacles, connecting plates of the chain might break.

Declaration of conformity

 EC Declaration of Conformity pursuant to EC Directive 2006/42/EC.	
The manufacturer declares that by reason of its conception and design, the following product Heavy-duty roller gear SL-1 300kN, art. n° 582818000 conforms – in the version marketed by ourselves – to the pertinent fundamental health and safety stipulations of the relevant EC Directives.	
The following harmonised standards were applied: <ul style="list-style-type: none"> ▪ EN ISO 12100:2010 ▪ EN ISO 12100-2:2009 ▪ EN 349:1993+A1:2008 	
Person authorised to compile technical documentation (pursuant to European Directive on Machinery Annex II): Harald Ziebula Josef Umdasch Platz 1 A-3300 Amstetten	
Amstetten, 24/02/2020	Doka GmbH Josef Umdasch Platz 1 A-3300 Amstetten
 	
Harald Ziebula Managing Director	Dipl.-Ing. Peter Reisinger Authorised Officer, Head of Engineering