

The Formwork Experts.

---

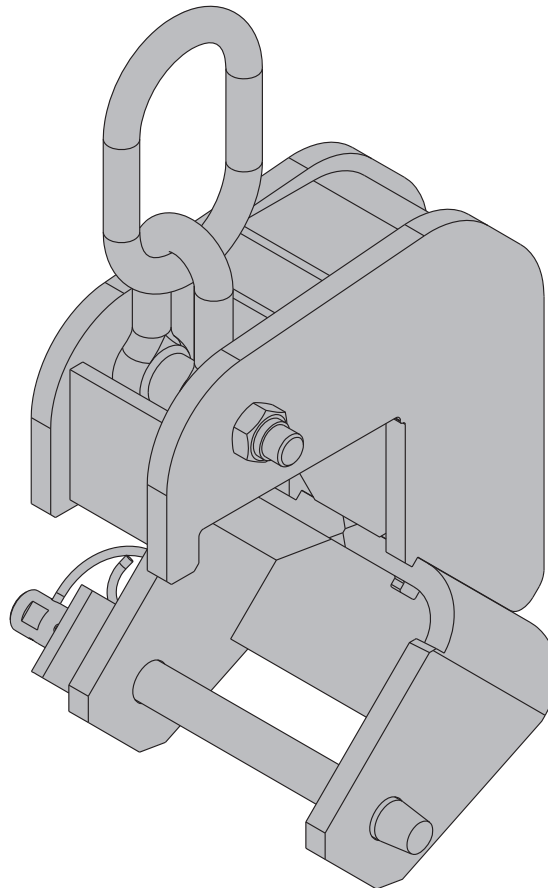
# Framax lifting hook 20kN

Art. n° 588526000, 588526500 | 2001 models onward

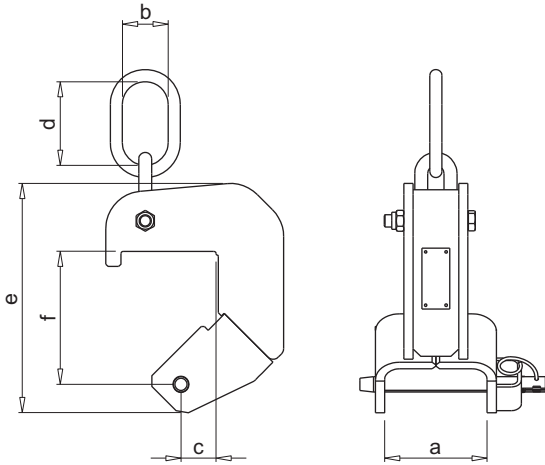
---

## Original Operating Instructions

Please retain for future reference



## Basic drawings of product



- a ... 135 mm (5 1/4")
- b ... 60 mm (2 3/8")
- c ... 49 mm (2")
- d ... 110 mm (4 1/4")
- e ... 301 mm (12")
- f ... 175 mm (7")

## Data on rating plate

Designation: Framax lifting hook 20kN, Framax lifting hook 20kN SN

Art. n°: 588526000, 588526500

Dead weight: 12.8 kg (28.2 lbs)

Max. lifting capacity: 2000 kg (4400 lbs)

Year of manufacture: see rating plate



## Intended use

The Framax lifting hook 20kN is a lifting accessory. It may only be used for moving gang-forms assembled from Framax panels. It must always be positioned over the join between two panels.



### NOTICE

- It is forbidden to use the product for anything but its designated purpose!
- It is forbidden to lift other manufacturers' formwork with it.
- The lifting hook must NOT be used on damaged (dented) profiles.

## Maintenance & inspection

- Repairs may only be carried out by the manufacturer!
- Doka accepts no liability for products that have been altered!

## Before every use

- ▶ Check the lifting hook for any signs of damage or visible deformation (over-elongation).



Pay particular attention to the following points:

- Crack-free and notch-free welds.
- No deformation.
- Rating plate must be in place and clearly legible
- Safety bolt and locking spring must be in good working order.

## At regular intervals

Inspection of lifting accessories must be performed at regular intervals by an **expert** in conformity with **national statutory provisions**.

Unless otherwise stipulated, such inspection must be carried out **at least once a year**.

## Storage

Store lifting accessories in a dry and well ventilated place, protected from the weather and from all corrosive substances.

## Positioning the lifting hooks



### NOTICE

Use a 2-part lifting chain with a load-bearing capacity of at least 4000 kg (8800 lbs)!

- Suspend the gang-form symmetrically (centre-of-gravity position).
- Spread angle  $\beta$  max.  $30^\circ$ !



### WARNING

► Position the Framax lifting hook 20kN **only at the inter-panel joint!**

The following positions are prohibited:

- At outside edge of panel
- Panel longside horizontal: above cross profile

### Note:

Positioning is **not** possible in the case of the following panels:

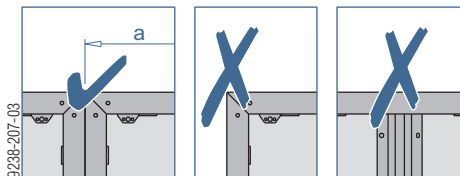
- Framax Xlife universal panel
- Framax Xlife pilaster panel

### Note:

**Collision with safety pin during assembly!**

Positioning to the **left** beside the following panels is **not** possible:

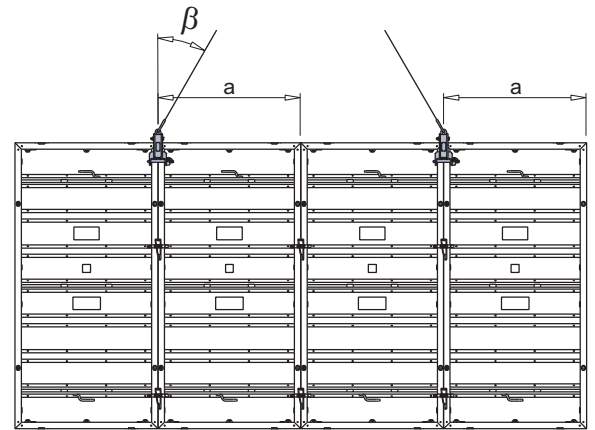
- Panel with panel width  $\leq 0.30$  m (11  $\frac{3}{4}$ " )
- inside corner, hinged corner, stripping corner



a ...  $\geq 0.30$  m (11  $\frac{3}{4}$ " )

Max. load: 2000 kg (4400 lbs) / lifting hook

## Gang-form with panels longside vertical

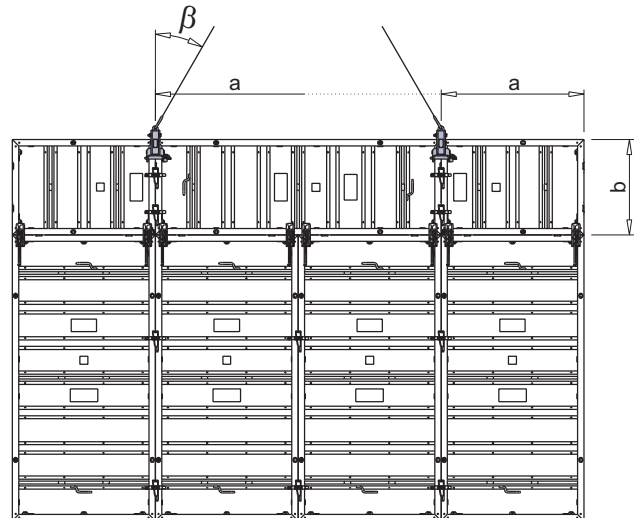


9238-207-01

a ...  $\geq 0.30$  m (11  $\frac{3}{4}$ " )

## Gang-form with panels longside horizontal

Positioning of the Framax-lifting hook 20kN is possible with the panels longside horizontal, as of a panel width of 0.75 m (2'-5  $\frac{1}{2}$ " ).



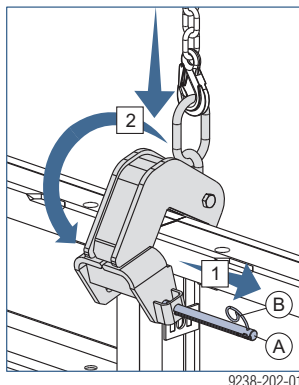
9238-207-02

a ...  $\geq 0.30$  m (11  $\frac{3}{4}$ " )

b ...  $\geq 0.75$  m (2'-5  $\frac{1}{2}$ " )

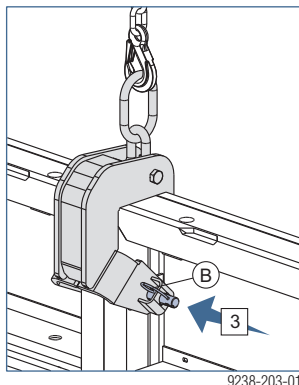
## How to operate the lifting hook

- 1) Pull out the safety bolt as far as it will go.
- 2) Slot the Framax lifting hook 20kN onto the frame profile and swivel it downwards.



- A** Safety pin  
**B** Locking spring

- 3) Push the safety bolt through the transverse sleeves of both frames, as far as it will go.

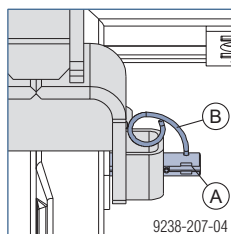


- B** Locking spring

The locking spring must engage.



Perform a sight-check to make sure that the safety pin (**A**) is inserted and locking spring (**B**) is engaged!



## Striking and repositioning the panels

**Before lifting:** Remove any loose items from the formwork and platforms, or secure them firmly.



### WARNING

The formwork tends to adhere to the concrete. When stripping the formwork, do not try to break concrete cohesion using the crane!

Risk of crane overload.

► Use suitable tools such as timber wedges or a special pry-bar to detach the formwork from the concrete.

- Lift the gang-form to its new location (guide with tag-lines if necessary).

## Declaration of Conformity



EC Declaration of Conformity  
pursuant to EC Directive 2006/42/EC.

The manufacturer declares that by reason of its conception and design, the following product

**Framax lifting hook 20kN, Art.n° 588526000**  
**Framax lifting hook 20kN SN, Art.n° 588526500**

conforms – in the version marketed by ourselves – to the pertinent fundamental health and safety stipulations of the relevant EC Directives.

**The following harmonised Standards were applied:**

- EN ISO 12100:2010
- EN ISO 12100-2:2009
- EN 349:1993+A1:2008

**Person authorised to compile technical documentation (pursuant to European Directive on Machinery Annex II):**

Dipl.-Ing. Ludwig Pekarek  
Josef Umdasch Platz 1  
A-3300 Amstetten

Amstetten, 28.11.2017

Doka GmbH  
Josef Umdasch Platz 1  
A-3300 Amstetten

Dipl.-Ing. Ludwig Pekarek  
Executive Manager

Dipl.-Ing. Peter Reisinger  
Authorised Officer,  
Head of Engineering