

The Formwork Experts.

---

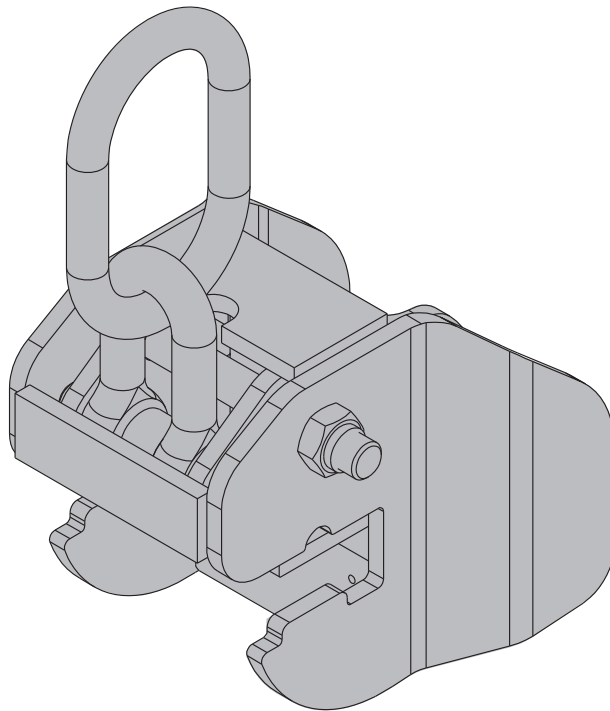
# Frami lifting hook

Art. n°: 588438000

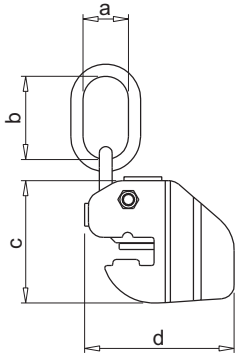
---

## Original Operating Instructions

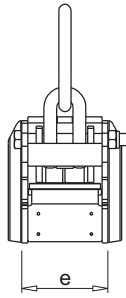
Please retain for future reference



## Product presentation



- a ... 60 mm (2 3/8")
- b ... 110 mm (4 5/16")
- c ... 162 mm (6 3/8")
- d ... 198 mm (7 7/8")
- e ... 114 mm (4 1/2")



9231-201-01

## Data on type plate

- Art. n°: 588438000
- Designation: Frami lifting hook
- Max. load where sling angle  $\beta \leq 30^\circ$ : 500 kg (1100 lbs)  
Max. load where sling angle  $\beta \leq 7.5^\circ$ : 750 kg (1650 lbs)
- Year of manufacture: see type plate
- Serial n°: see type plate
- QR code: Information on basis of serial numbers on [id.doka.com](http://id.doka.com)



### Note:

Frami lifting hooks with working load limit of 500 kg (1100 lbs) max. also meet the requirements for a working load limit of 750 kg (1650 lbs) max. using a sling angle  $\beta \leq 7.5^\circ$ .

## Intended use

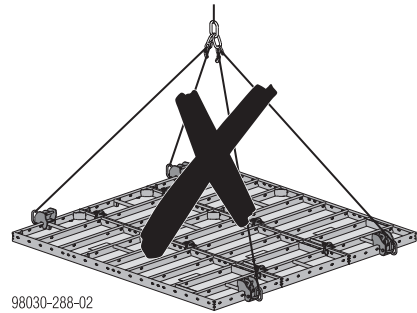
The Frami lifting hook is a lifting accessory. It is used for raising, repositioning and laying down panels and gang-forms assembled from the following Doka framed formwork systems (intended use):

- Frami Xlife
- Frami S Xlife
- Frami eco
- Framini
- DokaXlight



### NOTICE

- Other use or use not in conformity with that stated above is non-intended use and requires the prior written approval of the Doka company!
- It is forbidden to lift other manufacturers' formwork with it.
- Use of the lifting hook on panels with damaged (e.g. dented or bent) profiles is not permitted.
- The lifting hook must NOT be used for handling horizontally placed (flat) gang-forms.



98030-288-02

## Suitable hooks, lifting appliances or slings

Comply with the following instructions when selecting suitable hooks, lifting appliances and slings for use with Doka lifting accessories:

- Each sling must be of the correct shape and size to ensure that the Doka lifting accessory is seated correctly in the hook, lifting appliance or sling.
- Compliance with all applicable **safety regulations and standards** is required.

**In the event of non-compliance with these instructions, the user increases the risk of accidental detachment of the load and the potential for injury to the persons and/or property.**

## Maintenance & inspection

- Repairs may only be carried out by the manufacturer!
- Doka accepts no liability for products that have been altered!

### Before every use

- Check the lifting hook for any signs of damage or visible deformation (over-elongation).



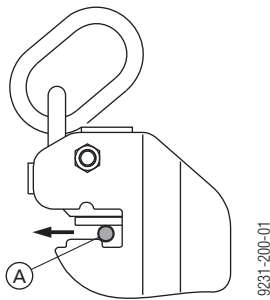
Pay particular attention to the following points:

- Crack-free and notch-free welds.
- No deformation.
- The type plate must be in place and clearly legible.



#### NOTICE

If you suspect that the lifting hook has been damaged, check it with the **caliber (A)** or have it inspected by Doka. If you can push the caliber all the way through, then the lifting hook must be withdrawn from use immediately.



The caliber (A) is available from Doka under art. n° 525600000.

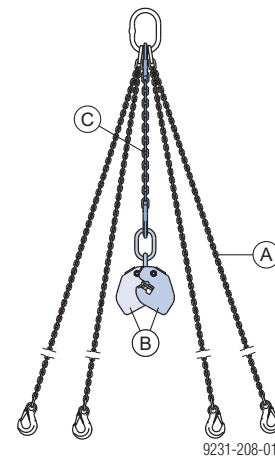
### At regular intervals

- Inspection of lifting accessories must be performed at regular intervals by an **expert** in conformity with **national statutory provisions**. Unless otherwise stipulated, such inspection must be carried out **at least once a year**.

## Storage

- Store lifting accessories in a dry and well ventilated place, protected from the weather and from all corrosive substances.

## Parking position on the crane lifting tackle



**A** Crane lifting tackle (e.g. Doka 4-part chain 3.20m)

**B** Frami lifting hook

**C** Additional chain (site-provided)



Attach the **additional chain** to the crane lifting tackle and secure the lifting hooks to the end of the additional chain. In this way the lifting hooks are always available when needed.

#### Technical data of the additional chain:

- Min. working load limit: 2500 kg (5510 lbs)
- Chain length: approx. 580 mm (23')
- Link thickness: 8 mm ( $5/16$ " )
- 2 KHSW 8 clevis sling hooks

## Positioning the lifting hooks



Generally applicable rules are described in these operating instructions. Compliance is also required with additional instructions set out in the **User information booklet** for the **formwork system** used!



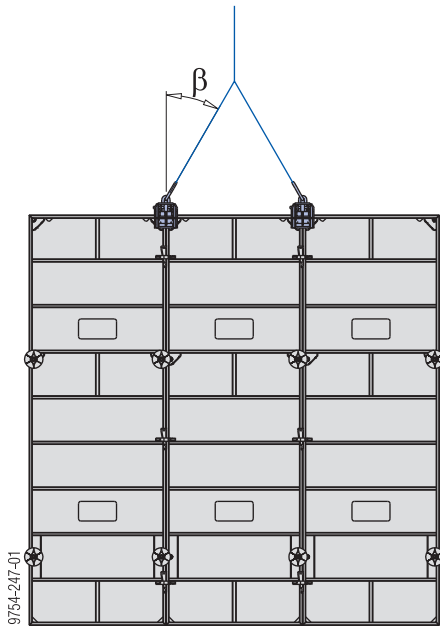
### NOTICE

- Number of lifting hooks:
  - Gang-form: **2** hooks
  - Narrow panel: **see User Information booklet**
  - Column formwork (each formwork half or in single panels): **2** hooks
  - Shaft formwork: **4** hooks
- Position the lifting hooks where they cannot slip, or secure the lifting hooks so that they cannot slip sideways.
- Suspend the gang-form symmetrically (centre-of-gravity position).
- Sling angle  $\beta \leq 30^\circ$  or  $\beta \leq 7.5^\circ$ !

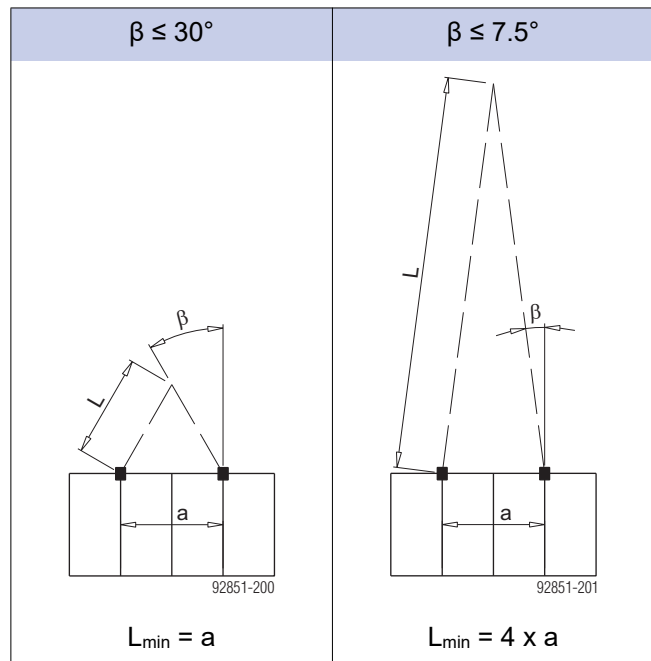


Use a lifting beam for repositioning large gang-forms.

### Gang-form with Frami Xlife (example):



## Determining the correct length of chain



## How to operate the lifting hook

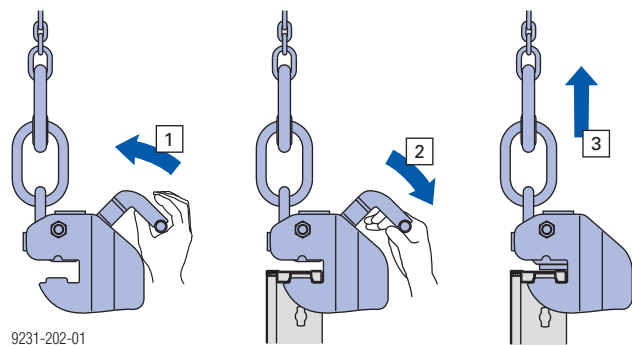
- 1) Raise the handle (locking lever) as far as it will go.
- 2) Push the lifting hook onto the frame profile as far as the rear stop, and close the handle (spring-loaded).



Do a sight-check to make sure that there is a secure form-fit between the lifting hook and the frame profile!

The handle must be closed!

- 3) When the panels are lifted by the crane, a load-dependent locking mechanism is activated.



## Stripping and repositioning the panels

**Before repositioning:** Remove any loose items from the formwork and platforms, or secure them firmly.



### NOTICE

- ▶ Make sure the tag-lines are long enough to enable the holders to stay outside the danger zone at all times.



### WARNING

The formwork tends to adhere to the concrete. When stripping the formwork, do not try to break concrete cohesion using the crane!

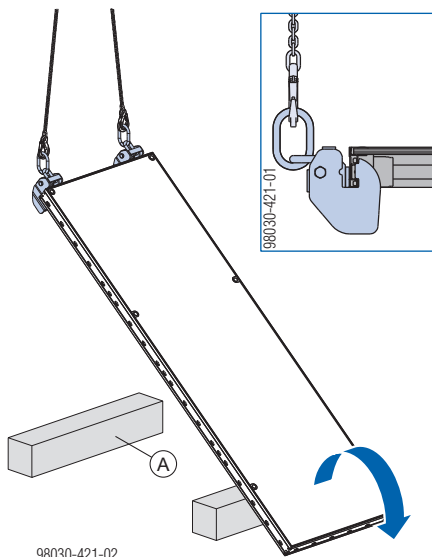
Risk of injury and damage to property due to crane overload.

- ▶ Use suitable tools such as timber wedges or a special pry-bar to detach the formwork from the concrete.

- ▶ Crane-lift the gang-form to its next location (guide with tag-lines if necessary).

## Lifting upright / turning over by crane

- ▶ Use Frami transport hooks to lay the framed panel flat on squared timbers 20x20 cm.
- ▶ Position the Frami lifting hooks.
- ▶ Lift the framed panel upright with Frami lifting hooks and, if applicable, lay it flat with the sheeting side down.



98030-421-02

**A** Squared timber 20x20 cm

## Declaration of conformity



EC Declaration of Conformity  
pursuant to EC Directive 2006/42/EC.

The manufacturer declares that by reason of its conception and design, the following product

**Frami lifting hook, art. n° 588438000**

conforms – in the version marketed by ourselves – to the pertinent fundamental health and safety stipulations of the relevant EC Directives.

**The following harmonised standards were applied:**

- EN ISO 12100
- EN ISO 13854

**Person authorised to compile technical documentation (pursuant to European Directive on Machinery Annex II):**

Robert Hauser  
Josef Umdasch Platz 1  
A-3300 Amstetten

Amstetten, 14/02/2023

Doka GmbH  
Josef Umdasch Platz 1  
A-3300 Amstetten

Robert Hauser  
CEO

Rainer Bolz  
Director  
Research & Development