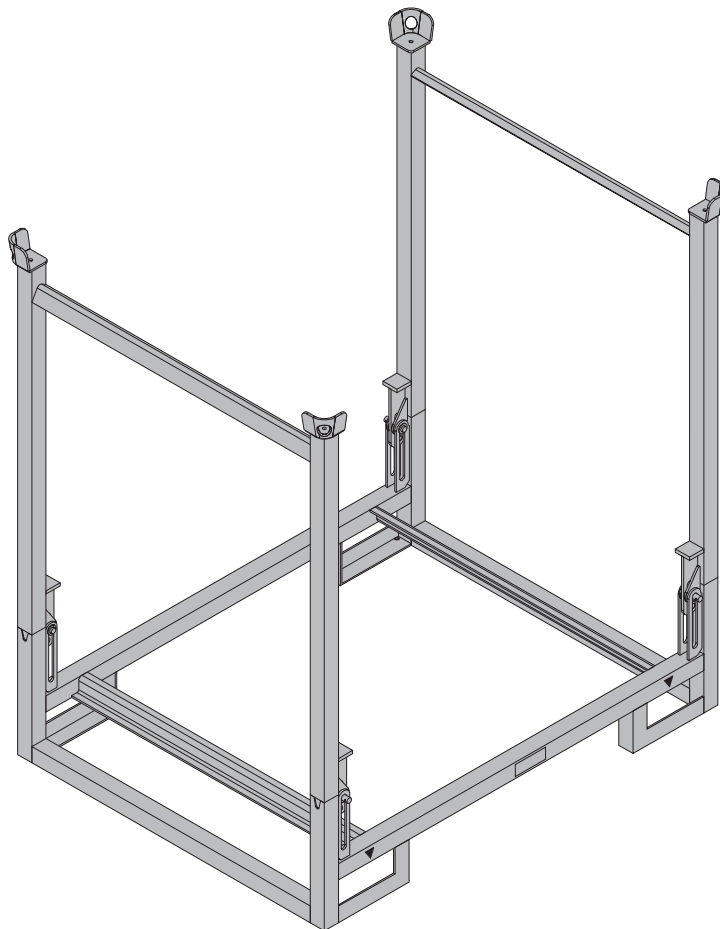


# Pallet for platform brackets M

**Art. n° 580549000**

**1997 models onward**



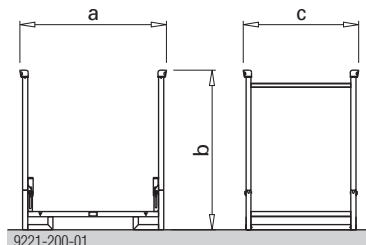
# Basic drawings of product

## Product description

The "Pallet for platform brackets M" is a **transport and storage unit** that is suitable for use with Platform brackets M only.



- Doka accepts no liability for products that have been altered!
- Repairs may only be carried out by the manufacturer!



a ... 1457 mm  
b ... 1560 mm  
c ... 1150 mm

## Data on rating plate

Doka Industrie GmbH, A-3300 Amstetten  
Designation: Pallet for platform brackets M  
Art.n°: 580549000

Dead weight: 74.85 kg (165.0 lbs)

Max. load: 600 kg (1320 lbs)

Permitted imposed load: 2030 kg (4470 lbs)

Year of manufacture: see rating plate

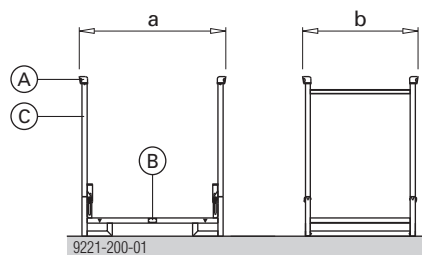
## Before every use

- Check for any signs of damage or visible deformation.



Damaged or deformed multi-trip packaging that does not meet the following criteria must be withdrawn from use immediately.

- Crack-free and notch-free welds
- No deformation
- Rating plate must be in place and clearly legible
- No deformed or damaged uprights. If any of these are bent, you must measure and verify the external dimensions. The measuring points are directly underneath the stacking guideplates, on the outsides of the uprights.



	Nom.	Min.	Max.
a	1392	1372	1402
b	1085	1075	1095

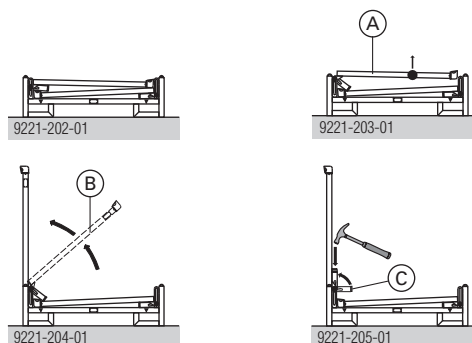
**A** Stacking guideplates

**B** Rating plate

**C** Upright

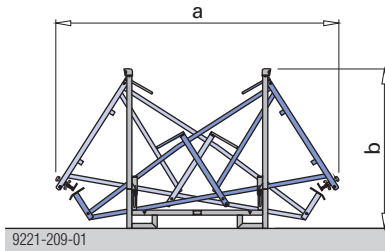
## How to collapse and open up the pallet

### Opening the pallet



- Place the "Pallet for platform brackets M" onto level ground.
- Raise the first post as far as the stop **(A)** and tilt it up into place **(B)**
- Lift the wedge **(C)** into the upright, and fix it with a blow of the hammer.

## Loading the transport box



a ... 2790 mm

b ... 1560 mm

Max. load: 18 brackets

- Place a bracket onto the pallet and push it in as far as it will go.
- Lift this bracket.
- Slot the top bracket-hook into the top cross-profile.
- Insert the next bracket from the other side.

## Using the "Pallet for platform brackets M" as a storage unit



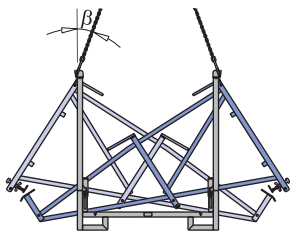
- **Stacking on the site (outdoors):** Floor gradients of up to 3%: Max. 2 full pallets or 4 collapsed pallets permitted on top of one another. Empty, unfolded pallets must not be stacked on top of one another!
- **Stacking in the warehouse:** Floor gradients of up to 1%: Max. 4 full, 3 empty or 15 collapsed pallets permitted on top of one another.
- When **storing** filled stacking pallets, make sure that they are standing **stably** on the ground, and are **stacked correctly**.

## Using the "Pallet for platform brackets M" as a transport device

### Lifting by crane



- Only one "Pallet for platform brackets M" may be lifted at a time.
- Only lift part-loaded pallets if the brackets are firmly secured.
- Use a suitable lifting chain. (Do not exceed the permitted load capacity). E.g: Doka 4-part chain 3.20m Art.n° 588620000.
- Spread-angle  $\beta$  max. 30°!



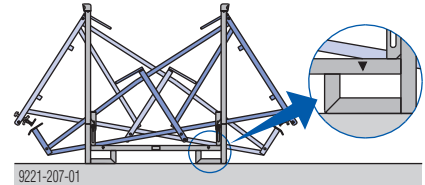
## Repositioning by forklift truck or pallet stacking truck



- Make sure the item to be lifted is in the correct centre-of-gravity position and is safe against tipping over!



- The forks of the stacker truck may only be placed beneath the marked points (**red marking**)!



- Only one item of multi-trip packaging is allowed to be repositioned at a time.
- Move the repositioning appliance at walking pace only.
- The floor must be stable, firm and sufficiently smooth (e.g. concrete).
- Max. gradient of floor: 3%
- Either bridge any openings in the floor with sufficiently strong planking/boards secured so that they cannot slip away to either side, or close off openings with sufficiently strong side railings!
- Keep the travel route clean and free of any obstacles.

© by Doka Industrie GmbH, A-3300 Amstetten