

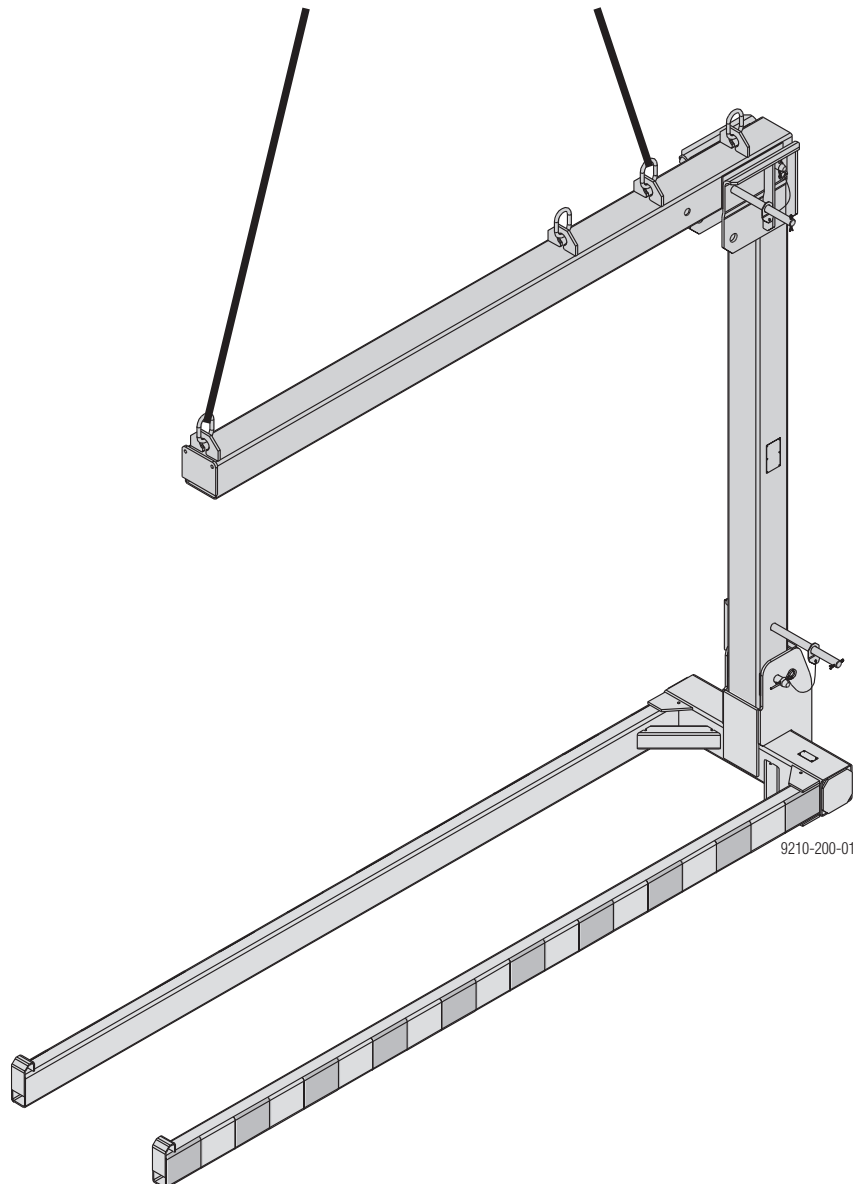
The Formwork Experts.

Lifting extension bracket DF 1t / Transport fork DF 1t 0.90m

Art. n°: 586068000, 586069000

Original Operating Instructions

Please retain for future reference



Intended use

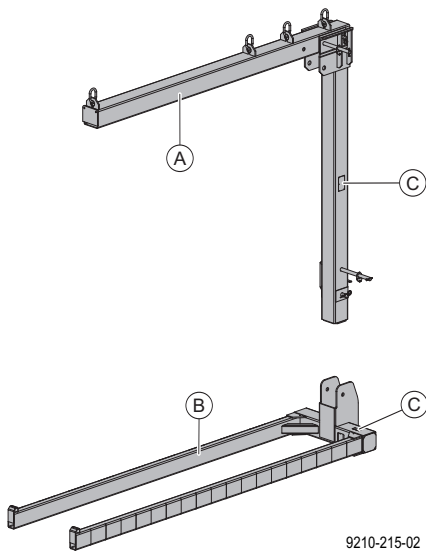
The 'Lifting extension bracket DF 1t' used in conjunction with the 'Transport fork DF 1t 0.90m' is a lifting accessory. They are designed to be used together for repositioning Dokaflex and Dokamatic tables with a max. size of 5.0 x 4.0 m (intended use).



NOTICE

- Other use or use not in conformity with that stated above is non-intended use and requires the prior written approval of the Doka company!
- It is forbidden to lift other manufacturers' tables with it!

Component overview

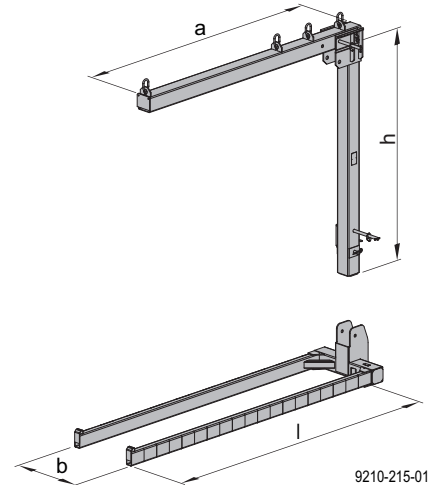


A Lifting extension bracket DF 1t

B Transport fork DF 1t 0.90m

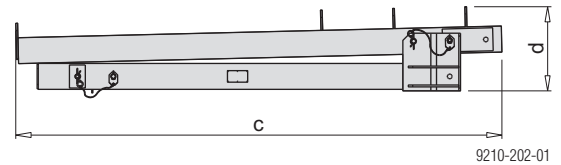
C Type plate

Sizes



- a ... bracket length: 336 cm
- h ... clear opening: 280 cm
- b ... fork width: 90 cm
- l ... fork length: 380 cm

As-delivered condition, lifting extension bracket DF



- c ... 337 cm
- d ... 58.3 cm

Permitted working load limit

Max. working load limit: 1000 kg (2200 lbs)

**Max. permitted eccentricity when fully loaded:
15 cm**

Data on type plate

Lifting extension bracket DF 1t

- Art. n°: 586068000
- Designation: Lifting extension bracket DF 1t
- Dead weight: 263 kg (580 lbs)
- Max. working load limit: 1000 kg (2200 lbs)
- Max. permitted eccentricity when fully loaded: 15 cm
- Year of manufacture: see type plate
- Serial n°: see type plate
- QR code: Information specific to the serial number and posted on id.doka.com



Transport fork DF 1t 0.90m

- Art. n°: 586069000
- Designation: Transport fork DF 1t 0.90m
- Dead weight: 220 kg (485 lbs)
- Max. working load limit: 1000 kg (2200 lbs)
- Year of manufacture: see type plate
- Serial n°: see type plate
- QR code: Information specific to the serial number and posted on id.doka.com



Maintenance & inspection

- Repairs may only be carried out by the manufacturer!
- Doka accepts no liability for products that have been altered!

Before every use

- ▶ Check for any signs of damage or visible deformation.



Lifting accessories that do not meet the following criteria must be withdrawn from use immediately:

- Crack-free and notch-free welds.
- No deformation.
- The type plate and all adhesive labels must be in place, and must be clearly legible.

At regular intervals

- Inspection of lifting accessories must be performed at regular intervals by an **expert** in conformity with **national statutory provisions**. Unless otherwise stipulated, such inspection must be carried out **at least once a year**.

Storage

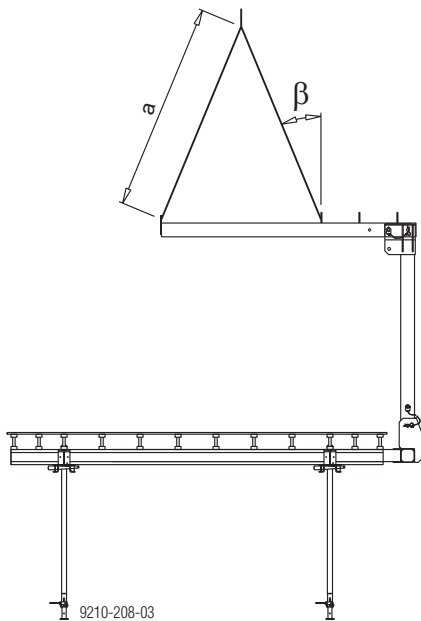
- Store lifting accessories in a dry and well ventilated place, protected from the weather and from all corrosive substances.

Selecting the lifting chain



NOTICE

- Only use lifting chains with a sufficient working load limit.
- Sling angle β max. 30°!
- Recommended length of lifting chains: min. 5.0 m
- Always fasten the 2-part chain to the front lifting point and to one of the rear lifting points, as necessitated by the centre-of-gravity position.



a ... min. 5.0 m
β... max. 30°

Function of the fork markings

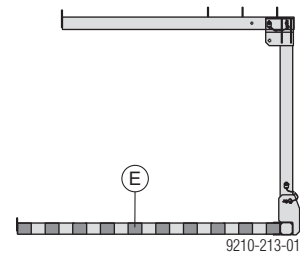


NOTICE

The tableforms always have to be as nearly horizontal as possible for each repositioning operation.

Once you know the ideal position on the fork for a certain table, it is easy to repeat this position on subsequent tables of the same type, by referring to the markings on the fork.

These markings are also a highly visible safety warning to the site crew when the fork is hovering in the air.



E Fork markings

Fork alignment

If the load is applied centrally, it is not necessary to fix the table.

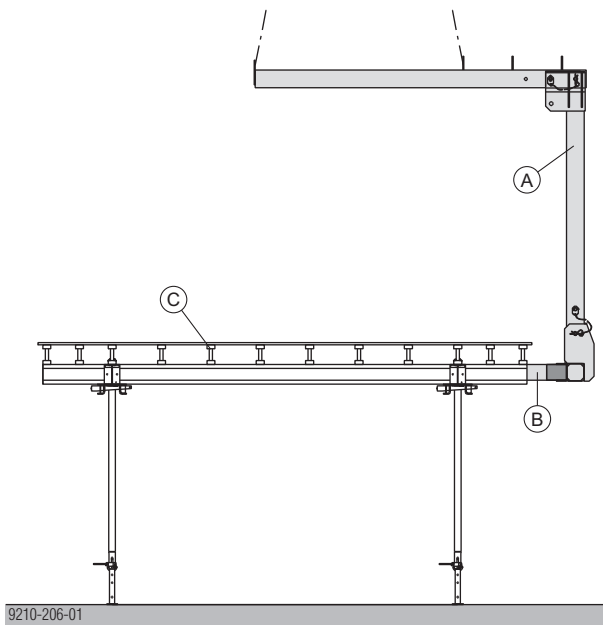


NOTICE

- Additional fastening of the table is required when large tables are being lifted (e.g. with tension straps, tension chains, etc.).
- Another way of ensuring safe lifting is to mount a wider support surface to the fork.

Please contact Doka for more information.

Fork aligned in direction of primary beams

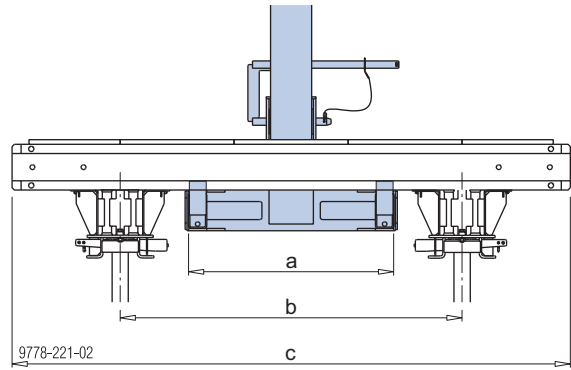


A Lifting extension bracket DF

B Transport fork DF

C Tableform

Table heads with wedges facing outwards

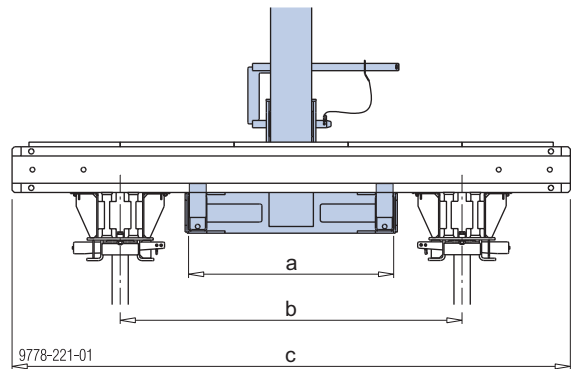


a ... fork width: 0.90 m

b ... required primary-beam spacing: min. 1.52 m - max. 1.90 m (this allows for 5 cm of play on either side of the fork)

c ... max. table width: 2.70 m (= 3 x fork width), otherwise table has to be secured

Table heads with wedges facing inwards

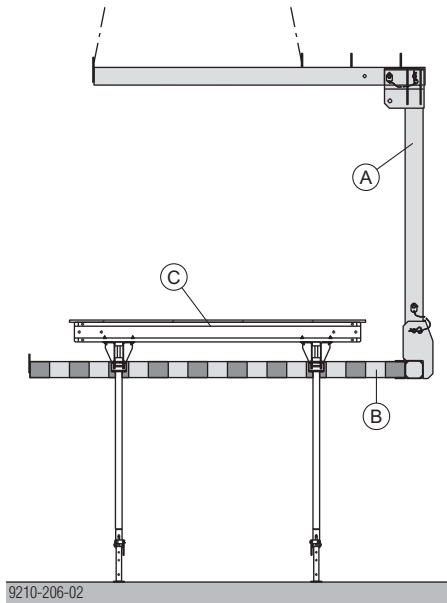


a ... fork width: 0.90 m

b ... required primary-beam spacing: min. 1.44 m - max. 1.82 m (this allows for 5 cm of play on either side of the fork)

c ... max. table width: 2.70 m (= 3 x fork width), otherwise table has to be secured

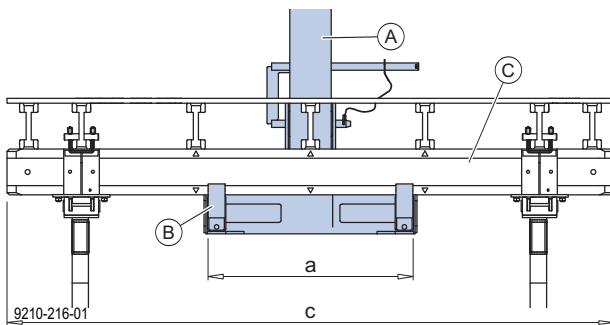
Fork aligned in direction of secondary beams



A Lifting extension bracket DF

B Transport fork DF

C Tableform



a ... fork width: 0.90 m

c ... max. table length: 2.70 m (= 3 x fork width), otherwise table has to be secured

A Lifting extension bracket DF

B Transport fork DF

C Tableform

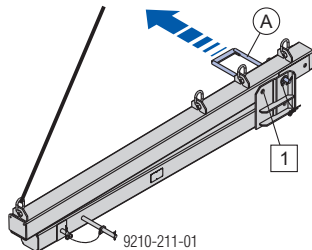
Assembly



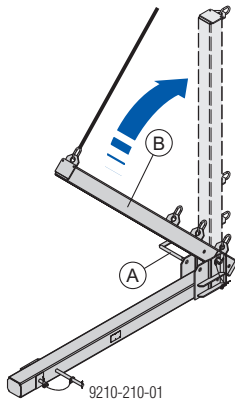
- ▶ During the crane operation, all persons must stay a safe distance away from the transport fork to avoid unsafe conditions and eliminate any hazards or exposure to injury!

Open the Lifting extension bracket DF

- ▶ Remove the d6 spring cotter from Item 1 and pull out the U-bolt as far as it will go.



- ▶ With the aid of hoisting equipment, slowly raise the Lifting extension-bracket tube.



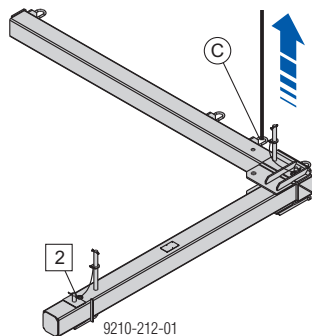
A U-bolt

B Lifting extension-bracket tube

- ▶ Push the U-bolt back in and secure it with the d6 spring cotter.

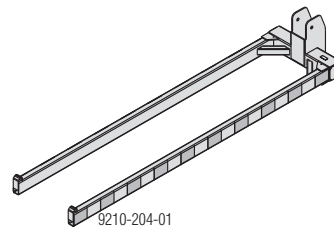
Fit together the Lifting extension bracket DF and Transport fork DF

- ▶ Lay the Lifting extension bracket DF on the ground.
- ▶ Attach the slings from the hoisting equipment to the hoisting point and slightly raise the Lifting extension bracket.
- ▶ Remove the d6 spring cotter from Item 2 and pull out the U-bolt as far as it will go.

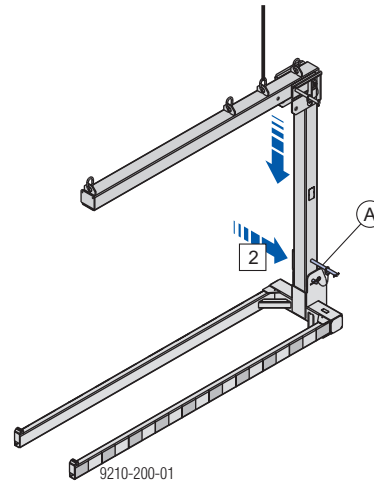


C Hoisting point

- ▶ Set the fork down on level ground.

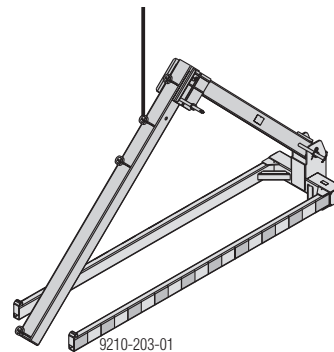


- ▶ Lower the Lifting extension bracket into the articulated joint of the fork.
- ▶ Push the U-bolt into Item 2 and secure it with the d6 spring cotter.



A U-bolt

- ▶ Slowly lower the Lifting extension bracket into the 'Parked' position.



The Lifting extension bracket automatically tilts downwards when being placed down on the ground.

- ▶ Detach the slings of the hoisting equipment. The transport fork is now ready for operation.

Dismantling

To dismantle, perform the above steps in reverse order.

Repositioning operation



WARNING

Risk of intermediate props dropping out when table is lifted

- ▶ **Intermediate props** with a Supporting head H20 DF, and props that are only secured against tipping over, must be **removed** before the table is lifted.
- ▶ Intermediate props that are attached by an **Intermediate head DF** and are not dis-mounted must be pulled in sufficiently far.



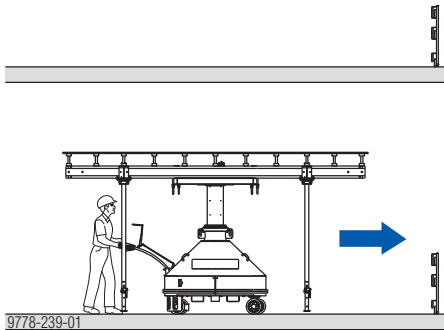
WARNING

- ▶ 'Passenger transportation' is forbidden!
- ▶ Additional safety measures are needed for special, custom table constructions.
- ▶ Before repositioning the tableform, remove all loose items (e.g. fitting boards) from it.
- ▶ Check the connections between the floor props and the tableform before repositioning it.
- ▶ Before lifting, fix the floor props with the fastening clamps.



- ▶ During the crane operation, all persons must stay a safe distance away from the transport fork to avoid unsafe conditions and eliminate any hazards or exposure to injury!

- ▶ Wheel the table to the pick-up point with the DoKart plus.

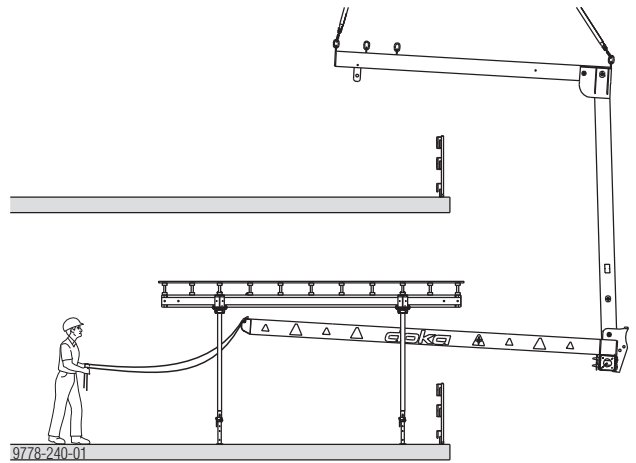


- ▶ Set the table down.
- ▶ Wheel out the DoKart plus from under the table (the next table can now be prepared for repositioning).

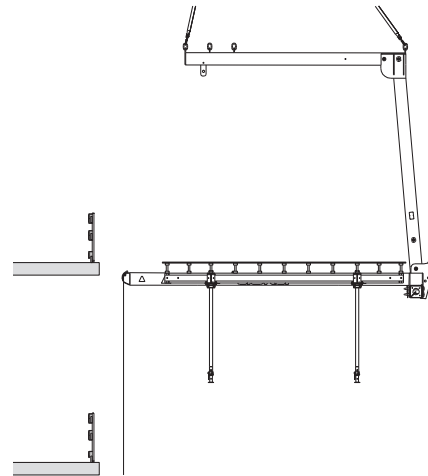


Follow the directions in the 'DoKart' Operating Instructions!

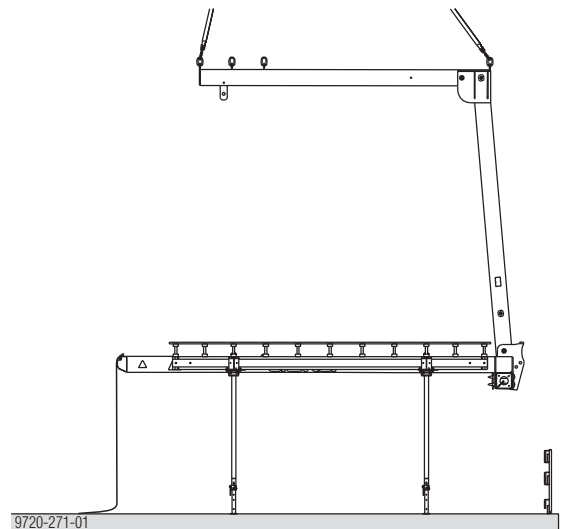
- ▶ Pick up the table with the transport fork.



- ▶ Lift the table out, and up to the next storey.



- ▶ Set the table down at its new location.



Declaration of conformity

 EC Declaration of Conformity pursuant to EC Directive 2006/42/EC.	
The manufacturer declares that by reason of its conception and design, the following product Lifting extension bracket DF 1t, art. n° 586068000 Transport fork DF 1t 0.90m, art. n° 586069000 conforms – in the version marketed by ourselves – to the pertinent fundamental health and safety stipulations of the relevant EC Directives.	
The following harmonised standards were applied: <ul style="list-style-type: none"> ▪ EN ISO 12100:2010 ▪ EN 13155:2020 	
Person authorised to compile technical documentation (pursuant to European Directive on Machinery Annex II): Robert Hauser Josef Umdasch Platz 1 A-3300 Amstetten	
Amstetten, 26/08/2022	Doka GmbH Josef Umdasch Platz 1 A-3300 Amstetten
 Robert Hauser CEO	 Sebastian Dorda Vice President Strategy & Innovation