

The Formwork Experts.

---

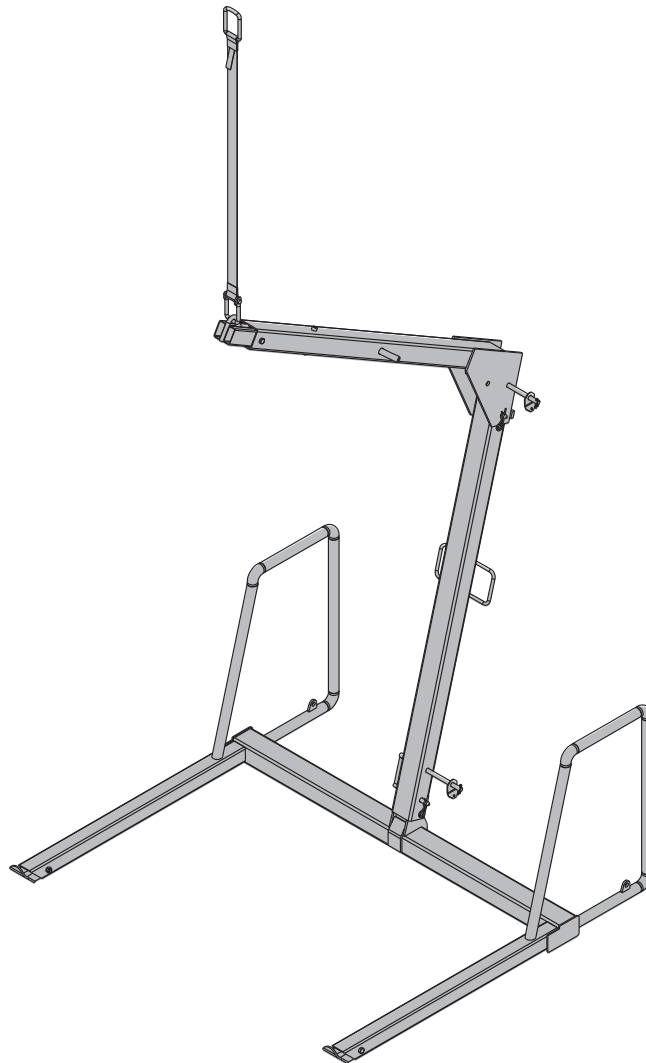
# Platform transport fork K/M

Art.n°: 580492000 | 2000 models onward

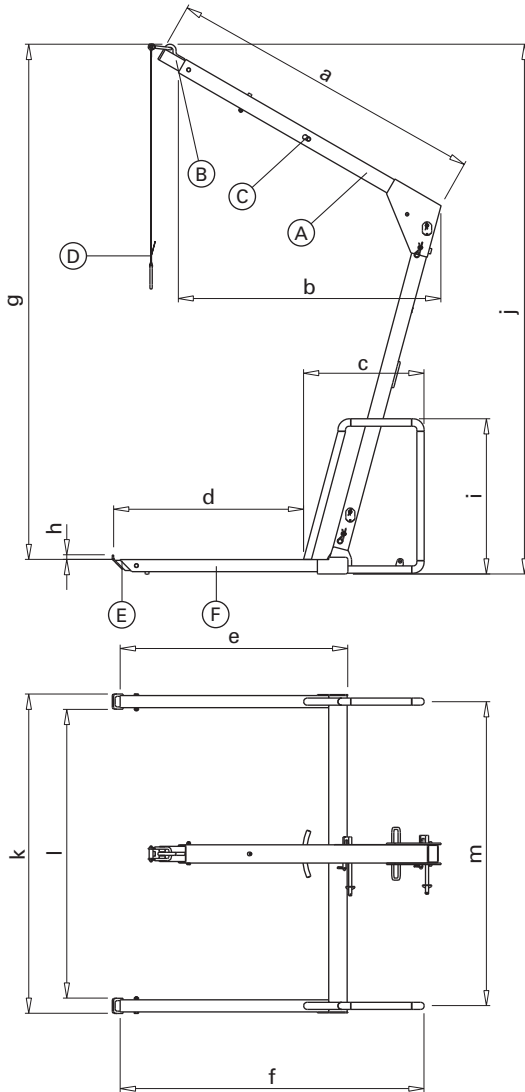
---

## Original Operating Instructions

Please retain for future reference



## Basic drawings of product



- a ... 2330 mm extension-length only when Folding platform K and Folding platform A are used with Suspension beam K2  
 a ... 2095 mm (with Platform bracket M)  
 b ... 1728 mm  
 c ... 793 mm  
 d ... 1250 mm (with Platform bracket M)  
 d ... 1820 mm (with Folding platform K and Folding platform A)  
 e ... 1500 mm (telescopic beam pushed in)  
 f ... 2000 mm (telescopic beam pushed in)  
 g ... 3390 mm  
 h ... 31 mm  
 i ... 1020 mm  
 j ... 3485 mm  
 k ... 2100 mm  
 l ... 1900 mm  
 m ... 2000 mm

- A** Lifting extension bracket  
**B** Bracket extension  
**C** Empty-transport bow  
**D** Sling strap 170cm  
**E** Telescopic beam with anti-slide-off guard  
**F** Fork

## Data on rating plate

Doka Industrie GmbH, A-3300 Amstetten  
 Designation: Platform transport fork K/M  
 Art.n°: 580492000  
 Dead weight: 194.0 kg  
 Max. carrying capacity: 600 kg  
 Year of manufacture: see rating plate



## Intended use

The Platform transport fork K/M is a load suspension device. It may be used for lifting the Doka folding platforms A and K and the Doka platform bracket M (including the accessories specifically mentioned) in situations where the 4-part lifting tackle cannot be used and where it is not possible to walk on the platforms (intended use).



### NOTICE

- Other use or use not in conformity with that stated above is non-intended use and requires the prior written approval of the Doka company!
- It is forbidden to lift other manufacturers' platforms with it.

## Maintenance & inspection

- Repairs may only be carried out by the manufacturer!
- Doka accepts no liability for products that have been altered!

## Before every use

- ▶ Check for any signs of damage or visible deformation.



Lifting accessories that do not meet the following criteria must be withdrawn from use immediately:

- Crack-free and notch-free welds.
- No deformation.
- Rating plate must be in place and clearly legible

## At regular intervals

- Inspection of lifting accessories must be performed at regular intervals by an **expert** in conformity with **national statutory provisions**. Unless otherwise stipulated, such inspection must be carried out **at least once a year**.

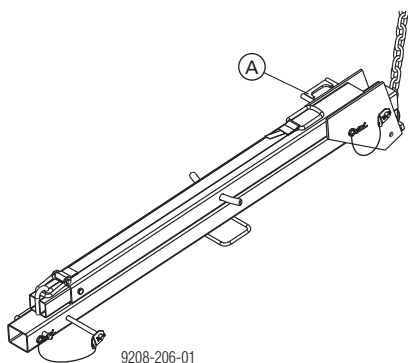
## Storage

- Store lifting accessories in a dry and well ventilated place, protected from the weather and from all corrosive substances.

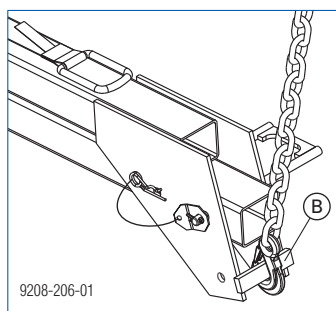
## How to assemble

### Preparing the lifting extension bracket

- ▶ Check whether the fastening pin **(A)** is bolted into place and secured.



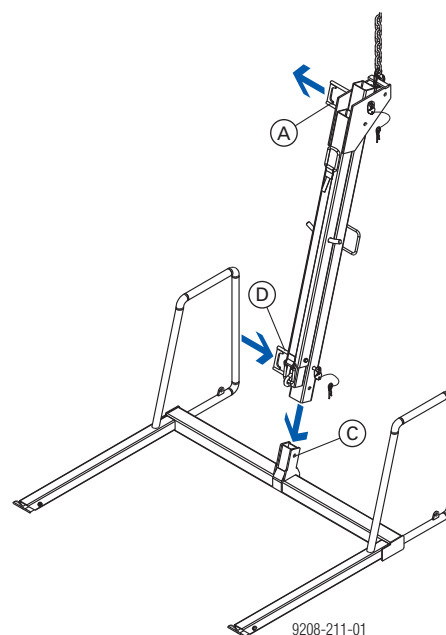
- ▶ Attach a slinging chain to the mounting bar **(B)**, and raise carefully by crane.



### Joining the lifting extension bracket to the fork

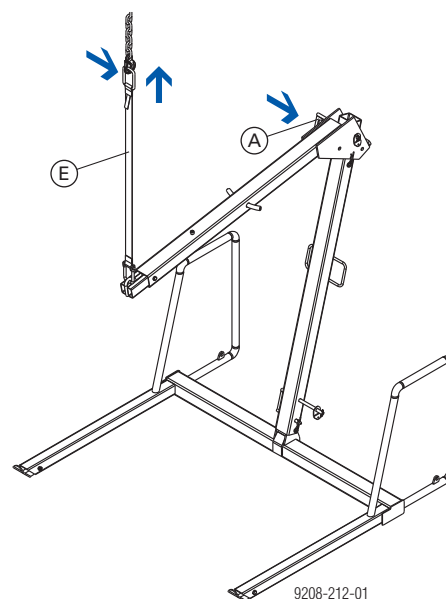
- ▶ Set the fork down on level ground.
- ▶ Lower the lifting extension bracket into the socket **(C)**.
- ▶ Push in the fastening pin **(D)** and secure it with a spring cotter.

- ▶ Pull out the fastening pin **(A)**.



- ▶ Persons must stay well outside the operational range of the crane!

- ▶ Attach a slinging means to the link of the sling strap **(E)** and slowly raise the bracket-arm of the lifting extension bracket.
- ▶ Push in the fastening pin **(A)** and secure it with a spring cotter.

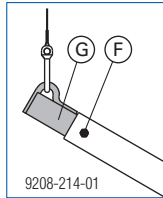
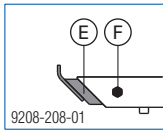


## Dismantling

- ▶ To dismantlie for space-saving transport, perform the above steps in reverse order.

## Lifting the Bracket platform M

- ▶ Completely push in both telescopic beams **(E)** and the bracket extension **(G)** and fasten them with nuts and bolts **(F)** (width across 24).

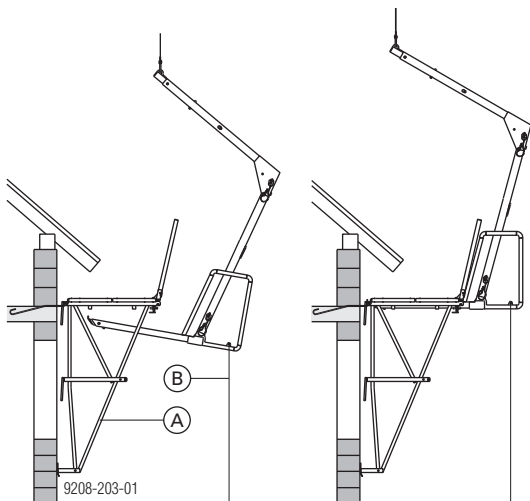


- ▶ Using the crane, raise the Platform transport fork K/M to the level of the platform **(A)**.



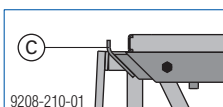
To make it easier to position the Platform transport fork K/M against the platform, suitably long tag-lines **(B)** should be used.

- ▶ Move the lifting extension bracket under the platform until the anti-slide-off guard of the telescopic beam protrudes beyond the front of the platform decking.

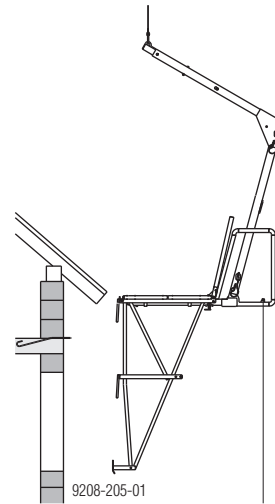


### Note:

The anti-slide-off guard **(C)** keeps the platform firmly in place.

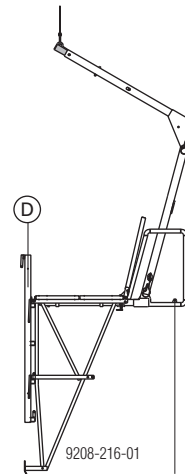


- ▶ Lift the platform out of its suspension points.



### Note:

The Bracket platform M can also be lifted jointly with the Suspension beam M **(D)**.

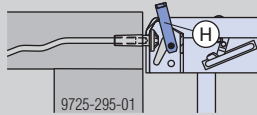


## Lifting the Folding platform A or K



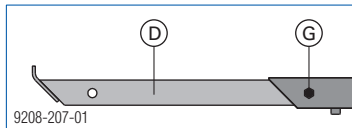
When platforms that are anchored to the structure with cone-type suspension points are repositioned with a transport fork, observe the following:

- ▶ Unlock the anti-liftout guard of the last platform already from the last-but-one platform. The red lifting bow (H) must be shifted into the stand-by position (fixed in the short slot).



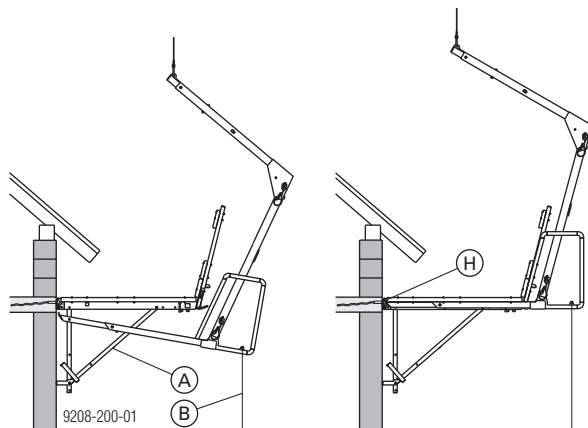
- ▶ Re-lock the anti-liftout guard. After hanging the platform into place on the suspension cone, move the lifting bow back into the locked position (fixed in the long slot so that the lifting bow is flush with the platform decking).

- ▶ Completely pull-out both the telescopic beams (D) and fasten them with nuts and bolts (G) (width across 24).



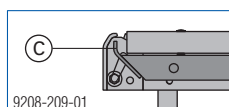
To make it easier to position the Platform transport fork K/M against the platform, suitably long tag-lines (B) should be used.

- ▶ Using the crane, raise the Platform transport fork K/M to the level of the platform (A).
- ▶ Move the lifting extension bracket under the platform until the anti-slide-off guard of the telescopic beam protrudes beyond the front of the platform decking.



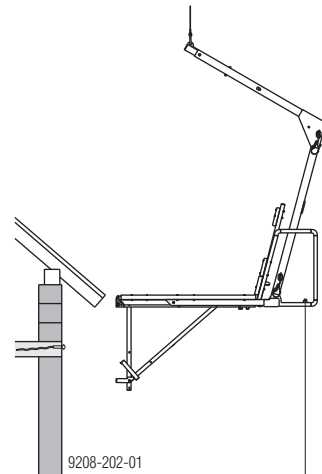
### Note:

The anti-slide-off guard (C) keeps the platform firmly in place.



### NOTICE

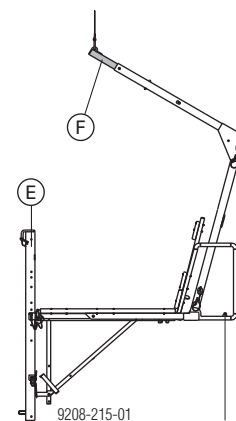
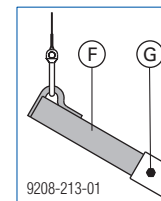
- ▶ Make sure that the anti-liftout guard is in the correct position!
- ▶ Lift the platform out of its suspension points.



### Note:

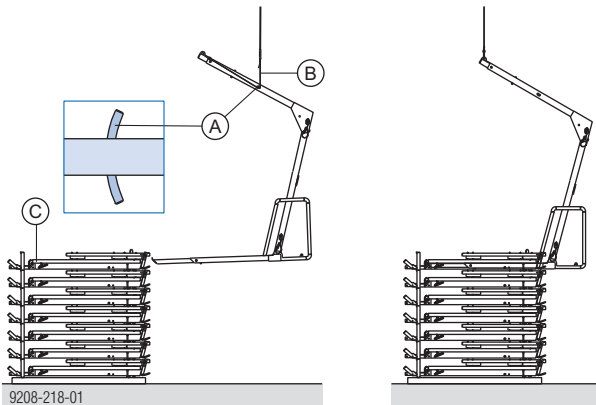
The Folding platform K can also be lifted jointly with the Suspension beam K2 (E).

The bracket extension (F) must be completely extended, and fastened with nuts and bolts (G) (width across 24).



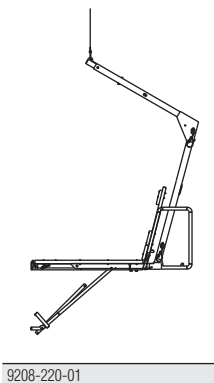
## Taking a Folding platform K off a stack

- ▶ Place the sling strap around the empty-transport bow.
- ▶ Guide the transport fork into the stack.
- ▶ Move the lifting extension bracket under the platform until the anti-slide-off guard of the telescopic beam protrudes beyond the front of the platform decking.
- ▶ Take the sling strap off the empty-transport bow.



- A Empty-transport bow
- B Sling strap
- C Doka folding platform K

- ▶ Lift a Folding platform K off the stack and unfold it.



- ▶ To stack the platforms again, repeat these steps in reverse order.

## Declaration of conformity

CE

EC Declaration of Conformity  
pursuant to EC Directive 2006/42/EC.

The manufacturer declares that by reason of its conception and design, the following product

**Platform transport fork K/M, art. n° 580492000**

conforms – in the version marketed by ourselves – to the pertinent fundamental health and safety stipulations of the relevant EC Directives.

**The following harmonised standards were applied:**

- EN ISO 12100:2010
- EN 349:1993+A1:2008

**Person authorised to compile technical documentation  
(pursuant to European Directive on Machinery Annex II):**

Dipl.-Ing. Ludwig Pekarek  
Josef Umdasch Platz 1  
A-3300 Amstetten

Amstetten, 21/08/2018

Doka GmbH  
Josef Umdasch Platz 1  
A-3300 Amstetten

*Ludwig Pekarek*      *ppa P. Reisinger*

Dipl.-Ing. Ludwig Pekarek  
Executive Manager

Dipl.-Ing. Peter Reisinger  
Authorised Officer, Head of Engineering