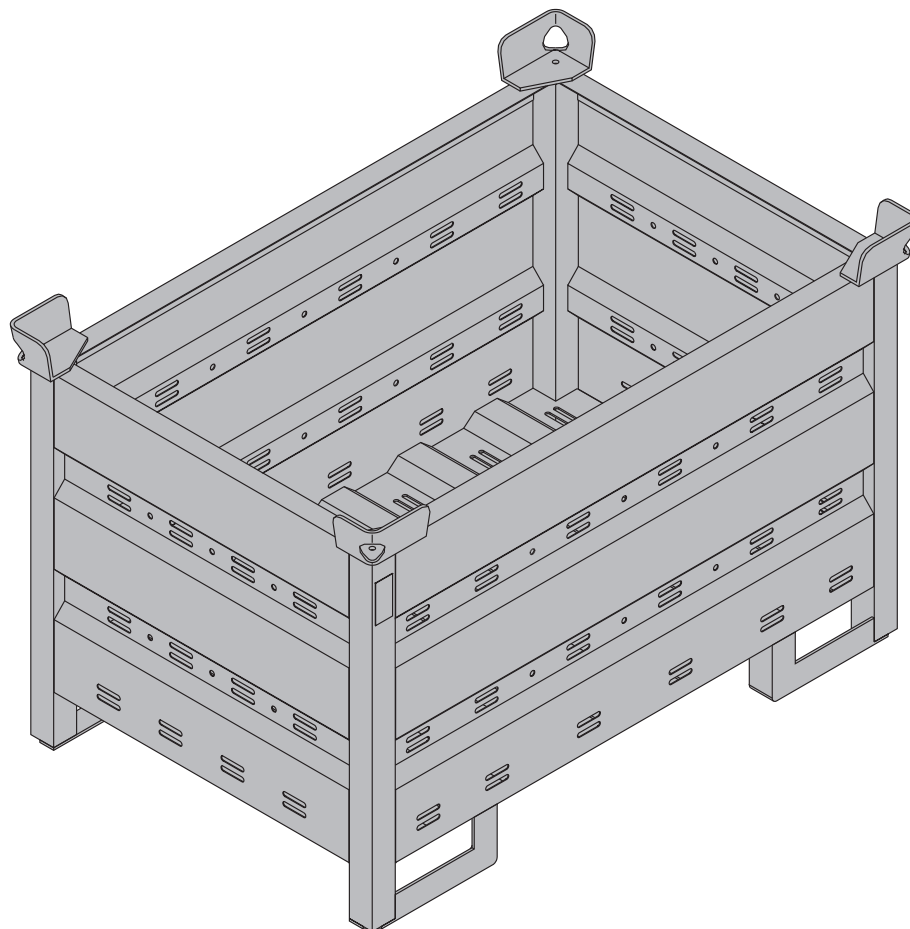


Doka multi-trip transport box 1.20x0.80m

Art. n. 583011000


1995 models onward

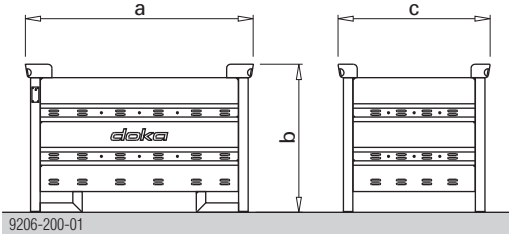


Basic drawings of product

Product description

The Doka multi-trip transport box 1.20x0.80m is a **transport and storage unit** that is suitable for small items only.

-  ● Doka accepts no liability for products that have been altered!
- Repairs may only be carried out by the manufacturer!




a ... 1200 mm
b ... 780 mm
c ... 800 mm

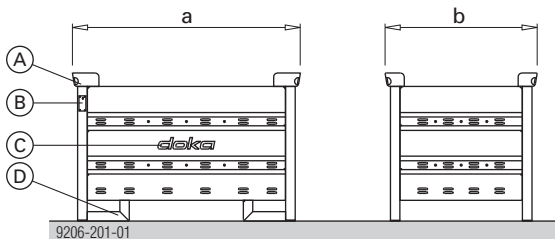
Data on rating plate

Doka Industrie GmbH, A-3300 Amstetten
Designation: Doka multi-trip transport box 1.20x0.80m
Art.n°: 583011000
Dead weight: 70.0 kg (154.3 lbs)
Max. load: 1500 kg (3300 lbs)
Permitted imposed load: 7850 kg (17305 lbs)
Year of manufacture: see rating plate

Before every use

- ▶ Check for any signs of damage or visible deformation.

-  Damaged or deformed multi-trip packaging that does not meet the following criteria must be withdrawn from use immediately.
 - Crack-free and notch-free welds
 - No deformation
 - Rating plate must be in place and clearly legible
 - Deformed or damaged stacking guideplates. If these are bent, you must measure and verify the external dimensions of the stacking guideplates. The measuring points are on the outsides.

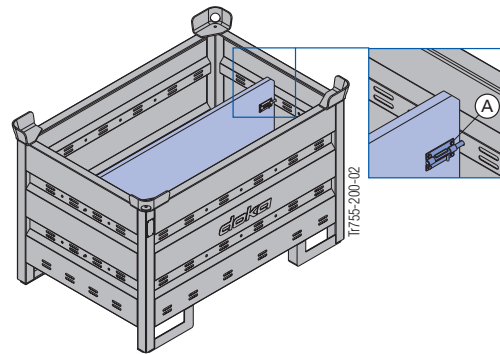


	Nom.	Min.	Max.
a	1200	1190	1210
b	800	790	810

- A** Stacking guideplates with crane hoisting lugs
- B** Rating plate
- C** Doka logo
- D** Stacking shoe

Multi-trip transport box partition

Different items in the Multi-trip transport box can be kept separate with the Multi-trip transport box partitions 1.20m or 0.80m.



- A** Slide-bolt for fixing the partition


Possible ways of dividing the box

Multi-trip transport box partition	Lengthways	Crossways
1.20m	max. 3 partitions	—
0.80m	—	max. 3 partitions

Tr755-200-04

Tr755-200-05

Using the Doka multi-trip transport box as a storage unit

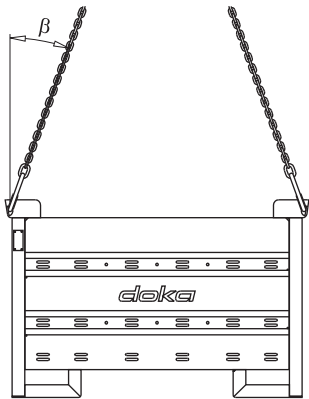
-  ● **Stacking on the site (outdoors):** Floor gradients of up to 3%: Max. 3 Doka multi-trip transport boxes 1.20x0.80m permitted on top of one another.
- **Stacking in the warehouse:** Floor gradients of up to 1%: Max. 6 Doka multi-trip transport boxes 1.20x0.80m permitted on top of one another.
- When filled Doka multi-trip transport boxes are **stored**, make sure that they are **standing stably** on the ground, and are **correctly stacked**.

Using the Doka multi-trip transport box as a transport device

Lifting by crane



- It is only allowed to lift one Doka multi-trip transport box at a time.
- Use a suitable lifting chain. (Do not exceed the permitted load capacity). E.g: Doka 4-part chain 3.20m Art.n° 588620000.
- Spread-angle β max. 30°!



9206-202-01

Repositioning by forklift truck or pallet stacking truck



- ▶ Make sure the item to be lifted is in the correct centre-of-gravity position and is safe against tipping over!

© by Doka Industrie GmbH, A-3300 Amstetten